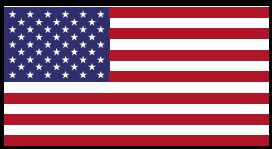


**EGAN**

**2024**

# Price & Specification Guide

USA PSG



November 20, 2024



# EGAN 2024 PSG TABLE OF CONTENTS

QuickShip.....	3
Egan Programs & Services: Overviews.....	4
Need Info Now?.....	5
Additional Online Industry Presence.....	6
Contracts & Buying Groups.....	6

## WRITING SURFACES 2024 PRICE GUIDE.....7

Writing Surfaces Table of Contents.....	9
QuickShip.....	9
EVS Technology.....	10
Materials & Finishes.....	11-12
Whiteboards & Tackboards.....	13-32
Wall Surfaces .....	31-35
GlassWrite Markerboards.....	36-40
EganAero Magnetic Glass Dry-Erase Boards.....	41-42
Boxcore Wall-Mounted Glassboards .....	43-47
Architrave Wall-Mounted Glassboards .....	43-47
Mobile Boards.....	48-59
Room Dividers.....	60-64
Desk Dividers.....	65-74
Sliding Wall System .....	75-84
Presentation Cabinets.....	85-89
Accessories.....	90-95

## BIOPHILIC DESIGN & ACOUSTIC SOLUTIONS

### 2024 PRICE GUIDE.....96

Table of Contents.....	97
Specifications.....	98-100, 143
Preserved Moss Walls Panels.....	101-109
Biophilic Dividers.....	110-112
Acoustic Wall Panels.....	113-119
Fabric Wrapped Acoustic Wall Panels.....	120-123
Desk Dividers.....	124-131
Room Dividers.....	132-137
Ceiling Baffles.....	138-141
Acoustic Accessories & Hardware.....	142

### AV FURNITURE 2024 PRICE GUIDE.....144

AV Furniture Table of Contents.....	145
Podiums & Lecterns.....	146-197
Height Adjustable Desks.....	198-233
Conference & Boardroom Tables.....	234-247
AV Instructor Desks.....	248-266
TV Media Stands.....	267-275
Credenzas.....	276-288
Rack Cabinets & Carts.....	289-300

### EGAN APPENDICES.....301

Custom Color & Color Matching .....	302
Custom Stain .....	302

EganINK - High Graphic Printing.....	303
Custom Response.....	303
Egan Fabric Program.....	304
Cleaning Instructions.....	305
Purchase Order Requirements for Expedited Orders.....	306
Egan Standard Terms & Conditions.....	307
Freight Program & Egan Standard Warranty.....	308
Product Code Index.....	309-310



The Egan QuickShip list is a collection of Egan's most popular products and sizes that can be shipped within 5 business days of receiving an order\*.

**Aluminum Frame Whiteboard** is a classic. Our proprietary dry-erase surface, EVS, is a commercial grade surface that can withstand the toughest environments and is guaranteed-to-clean. With a magnetic backer infill, the Aluminum Frame Whiteboard is magnet compatible with a clear anodized aluminum frame, precision squared mitered corners and will never warp.

**Dimension 13** is an elevated design on the traditional markerboard. Fully wrapped in EVS, Dimension 13 is a 1/2" (13mm) frameless board that beautifully blends into your environment; designed specifically for free flow thinking, with clean lines to keep the mind clear and free from distraction.

**GlassWrite** is a backpainted white, frameless glass board. Egan uses high quality, tempered safety glass that has no tint and will not distort the color of your board. Cleat mounted and neo-magnetic compatible. GlassWrite non-magnetic boards also available in white only.

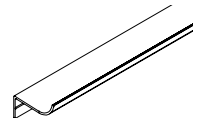
**V-Series Mobile** features EVS dry-erase surface on both sides that accepts magnetic accessories. The V-Series frame is defined by robust, clear anodized aluminum.

		Dimension Stele	Dimension Plus 2"	Dimension Plus 3	Dimension Integral	Dimension Stratus	Dimension Tack	Dimension Tack Grade A	Frame/Edge	Mount
									White	Wall
									Frameless	Wall
48" w x 36" h	\$1 060	\$1 060	\$1 290	\$1 430	\$1 210	\$1 290	\$670	\$760	White	Wall
48" w x 48" h	\$1 110	<b>\$1 110</b>	\$1 360	\$1 495	\$1 260	\$1 370	\$760	\$858	Clear Anodized	Wall
60" w x 48" h	\$1 210	<b>\$1 210</b>	\$1 480	\$1 630	\$1 420	\$1 460	\$960	\$1 065	Clear Anodized	Mobile
72" w x 48" h	\$1 280	<b>\$1 280</b>	\$1 560	\$1 730	\$1 490	\$1 530	\$1 010	\$1 121	Clear Anodized	Mobile
96" w x 48" h	\$1 450	\$1 450	\$1 760	\$1 940	\$1 650	\$1 690	\$1 210	\$1 236	Clear Anodized	Mobile

## ACCESSORIES

**EganONE Tray**, a sleek, aluminum marker tray that comes in a 2" deep design to accommodate 2 rows of markers, and provides an attachment point for the new Egan Cloth.

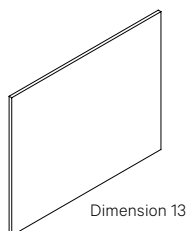
Code	Dimensions	Price
ACEOT12M (Magnetic Mount)	12" w x 1-3/8" h x 2" d	\$150
ACEOT12A (Adhesive Mount)	12" w x 1-3/8" h x 2" d	\$150



## HOW TO ORDER

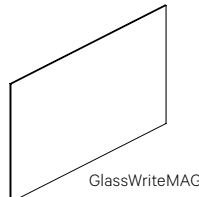
**DM13-60 48 WH**

Product Code Width Height Edge Color



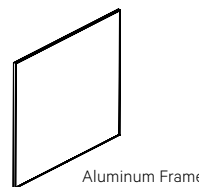
**DGM 48 48 C WH**

Product Code Width Height Cleat Mount Surface Color



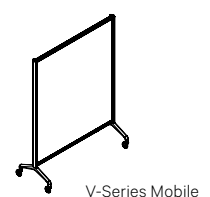
**MES 96 48 W**

Product Code Width Height Wallmount



**VSF 48 72 EE**

Product Code Width Height EVS Surface



\*Orders exceeding six (6) units per product are subject to longer lead times

# Egan Programs & Services: Overviews



\*QuickShip

## QuickShip Program

**QuickShip** - Egan Visual's Quickship Program includes a select range of standard size whiteboards, glass boards, mobile boards and accessories available to ship within 5 days from purchase order clearing credit. Delivery subject to receipt of written order and inventory levels at time of order. For critical orders please confirm by calling **1-800-263-2387**.



Small Parcel Eligible

## Egan Freight Program

Per our tiered freight program, orders will have freight charges added to invoice based on order list total. Product with the small parcel thumbs up qualified for our small parcel freight program. Pending quantities ordered. Egan's freight program provides confidence that you can easily quote and will always know the maximum freight charge.



## GREENGUARD Certification

Egan promotes global sustainability, environmental health, and safety. Our products have low chemical emissions, preserving the quality of the air in which the products are used. GREENGUARD conducts strict chemical emissions tests, and certifies products that meet healthy interior standards.

Download your copy of Egan product GREENGUARD Certificates at [www.egan.com](http://www.egan.com).



## EzoBord/PET

EzoBord is Polyethylene Terephthalate (PET). The tackable infill material is an adaptable acoustical panel made from 100% polyester - approximately 50% is recycled water bottles. EzoBord features a 3/8" deep tackable panel mounted proud on the board.



## Fabric Program

Egan offers a range of Maharam fabric options that can be specified on all Tackable and Sound Ideas products. All available fabrics have been factory tested to ensure it delivers upon the quality and performance that Egan demands of its products. For more information on the Egan fabrics available and for more information on custom fabric options, see page 96 or visit [egan.com](http://egan.com).

For samples or memos please visit [samples.egan.com](http://samples.egan.com) or contact us directly via [customerservice@egan.com](mailto:customerservice@egan.com). For your convenience, digital representations are available online at [www.egan.com](http://www.egan.com).



## Infinite Color Palette

Choose from over 1,500 standard colors at no additional cost. The Infinite Color Palette is available on all Egan Glass products - EganAero and GlassWrite. The color program includes Egan fandeck, Pantone colors, RAL, Benjamin Moore, and Sherwin Williams (uncoated and coated). To view the full range of colors, visit [pantone.com](http://pantone.com) or [egan.com](http://egan.com).



## Custom Stain

Egan offers 6 stain options but have the resources in house to match or create a custom stain color match on maple. For an additional upcharge of \$300/ product Egan will work with you to give you the stain you need.



## Custom Color

Egan provides standard finishes in clear anodized black and white, along with our 11 Etex colors. If these options don't meet your needs, we also offer a custom color program. We can match any color from the paint manufacturers listed in the Egan Infinite color palette program. Simply provide the name and color code, or we can match a physical sample for a precise color match. Egan will ensure that the color is matched as closely as possible using our formulation process.



## EganINK

Enhance Egan products by specifying EganINK. Print on any of the following Egan surfaces: GlassWrite, EganAero, EVS, and Fabric. EganINK is perfect for injecting branding, custom graphics, signage or artwork into your space. To learn more about Egan's high quality, large format graphic printing, see page 303.



## Custom Response

As a manufacturer, Egan has a wide range of capabilities and resources available to provide a product that is tailored to a customers specific needs. From simple customizations like logo designs and sizes adjustments to more complex configurations such as new product design, we will work with you at every step of the way. For more information on how to engage Egan and to learn more about our process.



# Need Info Now?



## Speak with a live Customer Service Rep

1-800-263-2387

+1-905-851-2826

Live coverage Mon-Fri 8:00-4:30 EST



## Speak with your local Egan Manufacturer's Rep

Egan Visual has a network of professional sales representatives covering every major market in the US and Canada.

Visit <https://egan.com/rep-locator/> or contact Egan Customer Service and we will be happy to connect you directly.



## Email a Customer Service Rep or Sales Team Member

[customerservice@egan.com](mailto:customerservice@egan.com)

[saleseast@egan.com](mailto:saleseast@egan.com)

[saleswest@egan.com](mailto:saleswest@egan.com)



## Receive Egan Updates

Subscribe to Egan News & Product Bulletins: email "Subscribe" to [marketing@egan.com](mailto:marketing@egan.com)



## Egan Website

[www.egan.com](http://www.egan.com)

Retrieve complete and up-to-date information online:

- Latest Specifications
- New Features
- What's New
- Resources: Installation Guides, LEED Data Sheets, GREENGUARD® Certificates, Videos

---

## Connect with Egan



### Browse galleries, images and virtual showrooms

[www.pinterest.com/eganvisual](http://www.pinterest.com/eganvisual)



### Be a friend of Egan on Facebook

[www.facebook.com/egan.visual](http://www.facebook.com/egan.visual)



### Watch videos on YouTube

[www.youtube.com/eganvisual](http://www.youtube.com/eganvisual)



### Follow Egan on Instagram

[@eganvisual](https://www.instagram.com/eganvisual)



### Connect with Egan on LinkedIn

[www.linkedin.com/company/egan-visual](http://www.linkedin.com/company/egan-visual)

# Additional Online Industry Presence

myresourcelibrary.com



2020spaces.com



projectmatrix.com



gsaadvantage.gov



CET Designer



## Contracts & Buying Groups



### Government Contracts

Egan is participating as a vendor on many government procurement contracts and market-specific buying groups (such as Healthcare, or Education). Below are some of the contracts Egan is an official vendor for. For most up to date list, please visit [www.egan.com](http://www.egan.com).



### STATE & LOCAL CONTRACTS:

- GSA Schedule Contracts
- OMNIA Partners
- State of New York Contract
- State of South Dakota
- State of Connecticut
- State of Mississippi
- State of Pennsylvania
- California Multiple Award Schedule (CMAS) Contract

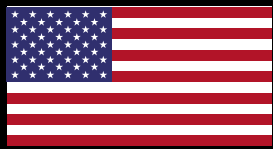
### EDUCATION CONTRACTS:

- The University of Alabama
- OMNIA Partners
- Massachusetts Higher Education Consortium (MHEC)
- Educational Services Commission of New Jersey (ESCNJ)

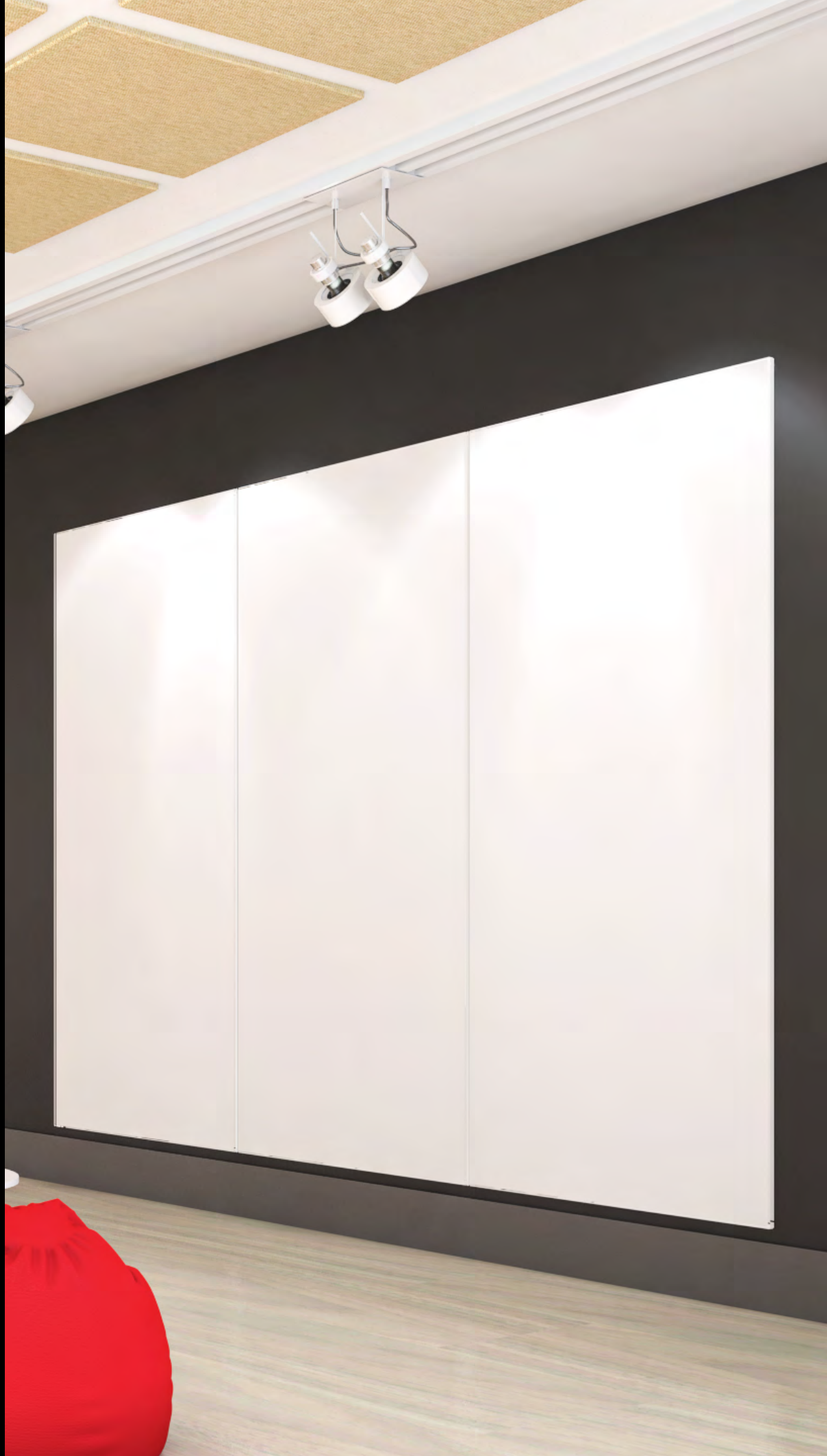
For most up to date list of State Contracts and Buying Groups and contract details visit [www.egan.com](http://www.egan.com).

2024

# Egan Writing Surfaces



EGAN



# EGAN WRITING SURFACES 2024 PSG TABLE OF CONTENTS

## WRITING SURFACES 2024 PRICE GUIDE.....7

Writing Surfaces Table of Contents.....	9
QuickShip.....	9
EVS Technology.....	10
Materials & Finishes.....	11-12

## WHITEBOARDS & TACKBOARDS

Dimension Whiteboards & Tackboards Overview.....	14
Dimension LINXX.....	15
Dimension Whiteboards.....	16
Dimension Tackboards.....	17
Boxcore Whiteboards & Tackboards Overview.....	18
Boxcore Whiteboards.....	19
Boxcore Tackboards.....	20
Architrave Whiteboards & Tackboards Overview.....	21
Architrave Whiteboards.....	22
Architrave Tackboard.....	23
Classic Whiteboards & Bulletin Boards Overview.....	24-35
Aluminum Frame Whiteboard.....	25
Aluminum Frame Bulletin Board.....	26
Linked Aluminum Frame Combination Boards.....	27
Classic Wood Framed Whiteboard.....	28
Classic Hardwood Bulletin Board.....	29
Linked Hardwood Frame Combination Boards.....	30
TacMag Wall Panel.....	31

## WALL SURFACES

Wall Surface Overview.....	32
EVS Skins - Writable Wall Surface.....	33
Porcelain Skins - Writable Wall Surface.....	34
VersaJot Whiteboard Sheets.....	35
Versa Flex Whiteboard Sheets.....	35

## DRY-ERASE GLASSBOARDS

GlassWrite Markerboards Overview.....	36
GlassWrite Markerboards.....	37
GlassWrite Matte Markerboards.....	38
GlassWrite LINXX.....	39
Envoy Slide & Display Glassboard.....	40
EganAero Overview.....	41
EganAero Magentic Dry-erase Glass Boards.....	42
Boxcore Wall-Mounted Glassboards Overview.....	43
Boxcore Dry-Erase Surfaces.....	44-45
Architrave Wall-Mounted Glassboards Overview.....	46
Architrave Wall-Mounted Glassboards.....	47

## MOBILE BOARDS

Mobile Boards Overview.....	48
Boxcore Dry-Erase Mobile Boards.....	49-50
Architrave Dry-Erase Mobile Boards.....	51-52
V-Series Mobile Board   Single Panel.....	53

V-Series Mobile   Split Panel.....	54
V-Series GlassWrite Mobile.....	55
V-Series Accessories.....	56
A-Frame Mobile Dry-erase Board.....	57
Lite Freestanding Mobile Partition.....	58
Lite Freestanding Partition Door.....	59

## ROOM DIVIDERS

Room Dividers Overview.....	60
Studio Storage.....	61
Studio Wall.....	62
Studio Lite.....	63
Standing Rigging Room Divider.....	64

## DESK DIVIDERS

Desk Dividers Overview.....	65
Desk Divider Mount Options.....	66
Boxcore Desk Divider.....	67-68
Architrave Desk Divider.....	69-70
Dimension Stele Desk Divider.....	71
GlassWrite Desk Divider.....	72
V-Series Desk Divider.....	73
Fabric Desk Divider.....	74

## SLIDING WALL SYSTEMS

Sliding Wall Systems Overview.....	75
Dimension Slider Whiteboard System.....	76-77
Complete Wall System.....	78-84
Sliding Wall System Markerboards & Tackboards.....	78
Sliding Wall System Lightweight Markerboards.....	79
Lightweight Markerboard Accessories.....	80
Upper Track & Lower Options.....	81-82
Wall System Shelving.....	83
Wall System Cabinets.....	84

## PRESENTATION CABINETS

Presentarion Cabinets Overview.....	85
Boxcore Whiteboard Cabinet.....	86
Dimension Dry-Erase Cabinet.....	87
Enclosed Etx Whiteboard Cabinet.....	88
Enclosed Wood Whiteboard Cabinet.....	89

## DRY-ERASE ACCESSORIES, SUPPLIES & MOUNTING

Accessories Overview.....	90
VersaPalette.....	91
Trays.....	92
Dry-erase Accessories.....	93
Grips & Tearbars.....	94
Mount Brackets.....	95

# QuickShip



The Egan QuickShip list is a collection of Egan's most popular products and sizes that can be shipped within 5 business days of receiving an order\*.

**The Aluminum Frame Markerboard** is a classic. Our proprietary dry-erase surface, EVS, is a commercial grade surface that can withstand the toughest environments and is guaranteed-to-clean. With a magnetic backer infill, the Aluminum Frame markerboard is magnet compatible with a clear anodized aluminum frame, precision squared mitered corners and will never warp.

**Dimension 13** is an elevated design on the traditional markerboard. Fully wrapped in EVS, Dimension 13 is a 1/2" (13mm) frameless board that beautifully blends into your environment; designed specifically for free flow thinking, with clean lines to keep the mind clear and free from distraction.

**GlassWrite** is a backpainted white, frameless glass board. Egan uses high quality, tempered safety glass that has no tint and will not distort the color of your board. Cleat mounted and neo-magnetic compatible. GlassWrite non-magnetic boards also available in white only.

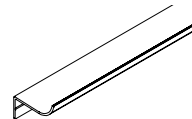
**V-Series Mobile** features EVS dry-erase surface on both sides that accepts magnetic accessories. The V-Series frame is defined by robust, clear anodized aluminum.

	Dimension Stele	Dimension Plus 2"	Dimension Plus 3	Dimension Integral	Dimension Stratus	Dimension Tack	Dimension Tack Grade A	Frame/Edge	Mount
48" w x 36" h	\$1 060	\$1 060	\$1 290	\$1 430	\$1 210	\$1 370	\$760	White	Wall
48" w x 48" h	\$1 110	<b>\$1 110</b>	\$1 360	\$1 495	\$1 260	\$1 370	\$760	Frameless	Wall
60" w x 48" h	\$1 210	<b>\$1 210</b>	\$1 480	\$1 630	\$1 420	\$1 460	\$960	Frameless	Wall
72" w x 48" h	\$1 280	<b>\$1 280</b>	\$1 560	\$1 730	\$1 490	\$1 530	\$1 010	Clear Anodized	Wall
96" w x 48" h	\$1 450	\$1 450	\$1 760	\$1 940	\$1 650	\$1 690	\$1 210	Clear Anodized	Mobile

## ACCESSORIES

**EganONE Tray**, a sleek, aluminum marker tray that comes in a 2" deep design to accommodate 2 rows of markers, and provides an attachment point for the new Egan Cloth.

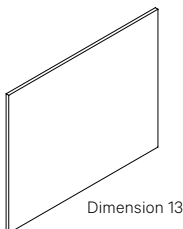
Code	Dimensions	Price
<b>ACEOT12M</b> (Magnetic Mount)	12" w x 1-3/8" h x 2" d	\$150
<b>ACEOT12A</b> (Adhesive Mount)	12" w x 1-3/8" h x 2" d	\$150



## HOW TO ORDER

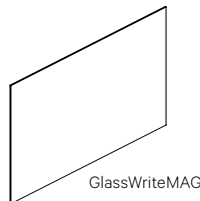
**DM13-60 48 WH**

Product Code Width Height Edge Color



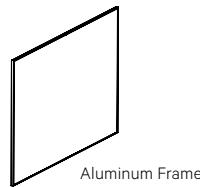
**DGM 48 48 C WH**

Product Code Width Height Cleat Mount Surface Color



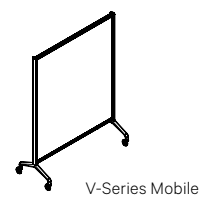
**MES 96 48 W**

Product Code Width Height Wallmount



**VSF 48 72 EE**

Product Code Width Height EVS Surface



\*Orders exceeding six (6) units per product are subject to longer lead times





Egan Technology™ is an Egan exclusive patented-technology presentation surface introduced in 2002. It is a unique invention that distinguishes Egan products from the rest in the presentation furniture industry. EVS has inspired the creation of various whiteboard and projection screen product offerings. It is the unique tool for generating, capturing and presenting ideas. This technology surface enhances communication by supporting whiteboard brainstorming as well as data projection of popular presentation formats.

The matte-white finish reduces glare from ambient light in office environments. Glare can cause a reduction in character-to-background contrast, reducing the legibility of screen characters, which at the extreme can cause the contents of the whiteboard to become unrecognizable. Because this only affects viewing at eye level and from only parts of the room, many whiteboard users are not even aware of this major shortcoming! To overcome glare, whiteboard readers will often squint or move about to minimize the effect. EVS solves that problem.

EVS provides a matte-white surface with an incredibly low-gloss factor that is guaranteed-to-clean. The unique surface provides a comfortable 160° viewing angle of your projected image. That means you get a crisp, clear view from almost any angle in the room, without dimming the lights.

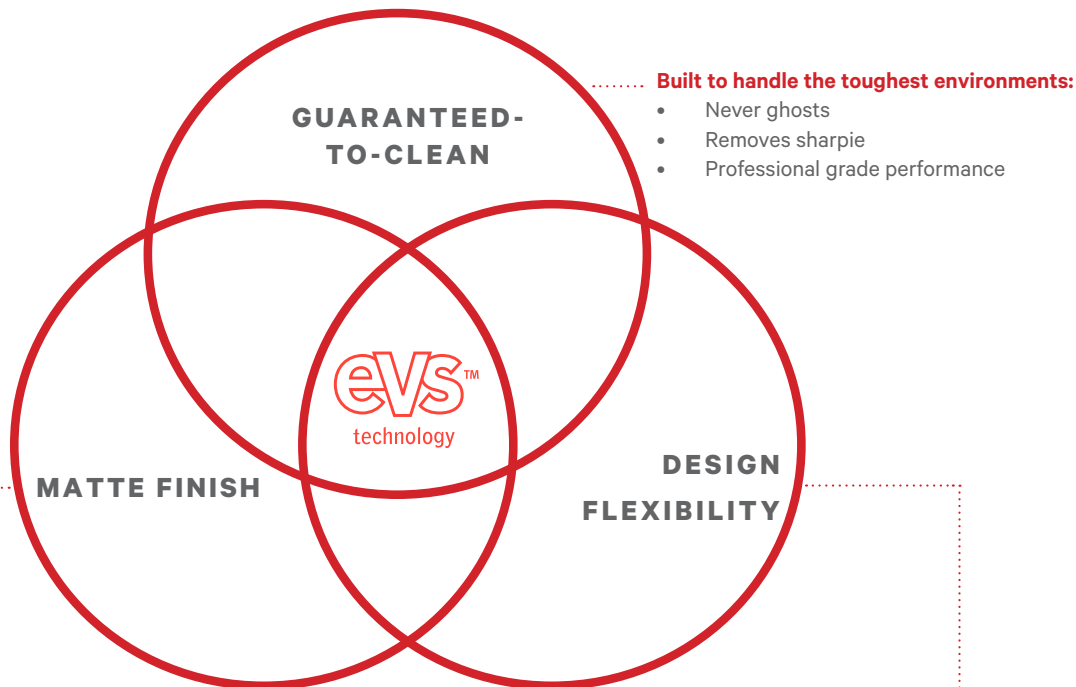
When mounted on steel, EVS accepts magnetic accessories.

Versatility is also found in EVS' configurability. EVS is available in a variety of large and small format applications, can be applied on almost any even surface, and can be specified in a variety of sizes and shapes. Apply EganINK™ graphics, and let the sky be your limit! EVS is guaranteed-to-clean for 10 years.



White Porcelain      Porcelain      Dry-Erase Vinyl      EVS

Above images illustrate the difference in surface glare on leading whiteboards



**EVS' smooth matte surface is easy on the eyes:**

- Reduces glare from ambient light
- Ideal for projection
- 160° viewing angle

**EVS offers design choices unlike Porcelain and Glass:**

- Wide array of formats and irregular shapes
- Large, seamless expanse up to 400ft
- Lightweight boards

# Material & Finishes

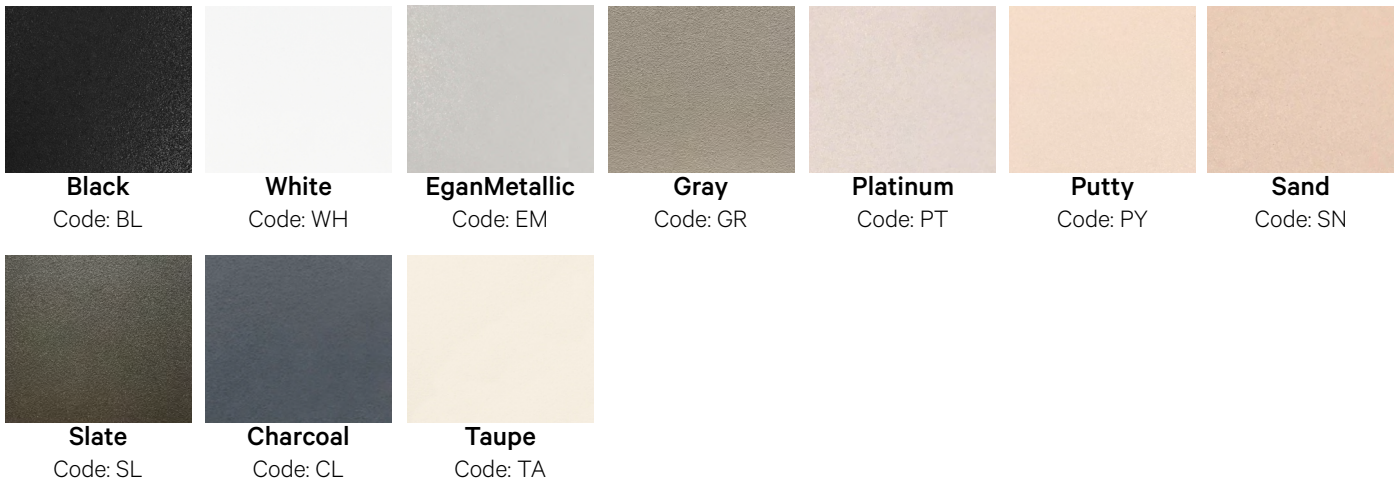
Explore Egan's materials and finishes through the Design Library. Egan enriches the design experience by offering an extensive library, providing you with a wide array of choices for customizing your products. **We highly recommend to order a free sample to ensure accurate depiction of color and finish. Colors may vary when observed through a digital screen.**

- See the Design Resource Library at [www.egan.com](http://www.egan.com)
- Request samples from <https://samples.egan.com/>

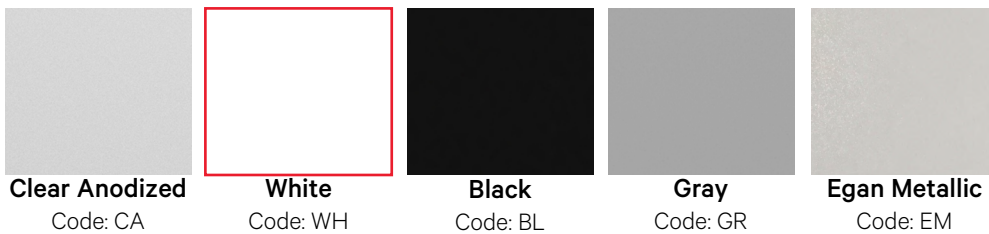
## WOOD STAINS



## ETEX FINISHES



## METAL FINISHES



## CORK & STANDARD FABRIC



# Material & Finishes

## GRADE A DUVALTEX FABRIC PATTERN WAYS

Previously offered as Guilford of Maine (GOM). Images shown below represent the pattern color way ONLY. Select for a large library of fabric



**FR701**

Code: 2100



**Anchorage**

Code: 2335



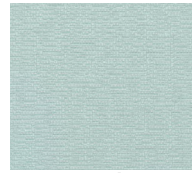
**Crosstown**

Code: 2526



**Marin**

Code: 1300



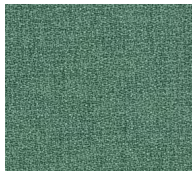
**Resolve**

Code: 1301

## GRADE A MAHARAM FABRICS

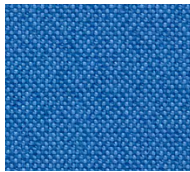
### (M-Series Selection)

Images shown below represent the pattern color way ONLY. Select for a large library of fabric colors by visiting [www.egan.com](http://www.egan.com)



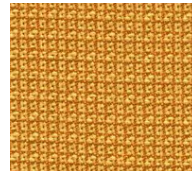
**Manner**

Code: 466177



**Meld**

Code: 466387



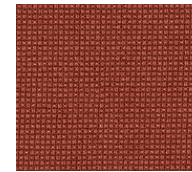
**Metric**

Code: 466014



**Murmur**

Code: 466446



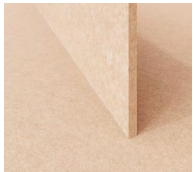
**Muse**

Code: 466487

## EZOBORD COLORS

### (9mm)

EzoBord is an acoustic, highly versatile, recycled base material used in the construction of our Acoustic Moss Wall Panels. EzoBord is made from 100% PET fiber of which approximately 50% is derived from recycled plastic water bottles.



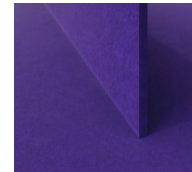
**Vanilla Cream**

Code: VC97



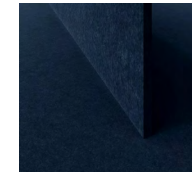
**Sunset Pink**

Code: SP99



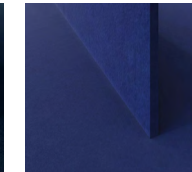
**Deep Purple**

Code: DP30



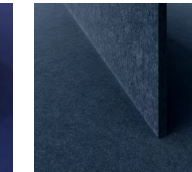
**Midnight Navy**

Code: MN12



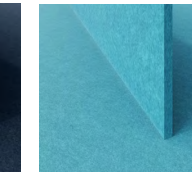
**Royal Blue**

Code: RB08



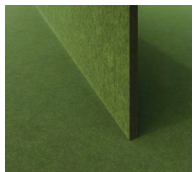
**Evening Blue**

Code: EB50



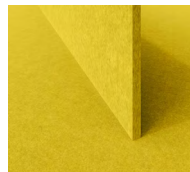
**Aegean Blue**

Code: AB32



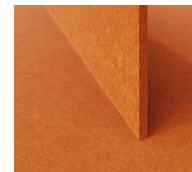
**Moss Green**

Code: MG10



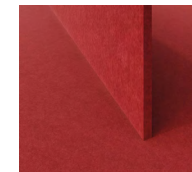
**Sunny Days**

Code: SD18



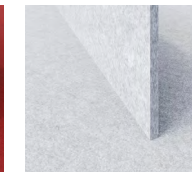
**Tiger Orange**

Code: TO24



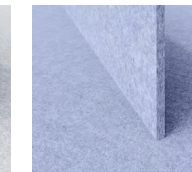
**Ruby Red**

Code: RR25



**Classic White**

Code: CW04



**Polar Ice**

Code: PI14



**Light Beige**

Code: LB01



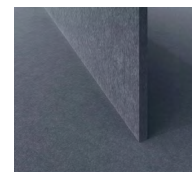
**Desert Sand**

Code: DS10



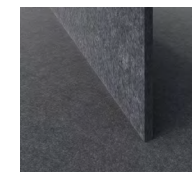
**Silver Grey**

Code: SG04



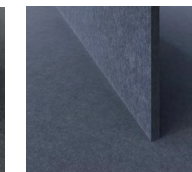
**Elephant Grey**

Code: EG11



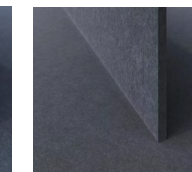
**Dark Grey**

Code: DG34



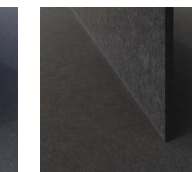
**Ebony Slate**

Code: ES07



**Charcoal Grey**

Code: CG06



**Pure Black**

Code: PB09

# WHITEBOARDS & TACKBOARDS

## **Dimension Wall Mounted Whiteboards & Tackboards**

A sleek, minimalist look, the Dimension design family is characterized by a frameless board wrapped in Egan's unique proprietary dry erase surface: EVS. Dimension boards are also available with a tackable fabric surface. Design features are distinguished by its vanishing edge, a frameless surface with clean, crisp lines for a simple and modern design.

## **Boxcore Wall Mounted Whiteboards & Tackboards**

Boxcore design provides robust edges and sharp, clean contemporary aesthetics. Boards come in either 29mm or 19mm frame depths. With Boxcore design you may specify your surface infill from 4 options : dry-erase whiteboard EVS, dry-erase glass, tackable fabric, or EzoBord.

## **Architrave Wall Mounted Whiteboards & Tackboards**

Architrave frame design family is characterized by a 1 1/8" oak wood frame design. You can specify your board with various infill options: dry-erase whiteboard EVS, dry-erase glass, tackable fabric, or EzoBord.

## **Aluminum Frame Whiteboard, Bulletin Board, & Combination Board**

Classic Aluminum frame boards are built with a durable clear anodized aluminum frame. Boards may be specified with the surface of your choosing. Choose either whiteboard EVS surface, porcelain, or tackable fabric. EVS and Porcelain boards are magnet-compatible and never warp.

## **Hardwood Frame Whiteboard, Bulletin Board, & Combination Board**

The Classic Wood Framed Whiteboard features a 1/2" bullnose edge and customizable oak stain options, designed for both standalone use and modular combinations with tackable surfaces or additional dry-erase panels. Choose either whiteboard EVS surface, porcelain, or tackable fabric. EVS and Porcelain boards are magnet-compatible.

## **TacMag Wall Panel**

TacMag Perforated Metal Bulletin Board features a perforated steel exterior with options for cork or PET infill. It can also be customized with various colors or prints on the steel to match any design aesthetic.

## **SKINS Writable Surface**

EVS Skins is a high-performance dry erase wall surface that offer a practical and sustainable solution for transforming any surface into a writable area. Made with EVS Technology, these skins can be applied to a variety of surfaces including glass walls, doors, and even over existing whiteboards. Ideal for enhancing communication and collaboration, EVS Skins convert traditional surfaces into functional writing areas without the need for extensive renovations.

## **Versa Flex Whiteboard Sheets**

Designed for quick and easy installation, Versa Flex Whiteboard Sheets are built using Egan's EVS dry-erase surface. Flex Sheets pieces are custom-shape, precision CNC cut. Flex Sheets can be either magnetic or applied through an adhesive glue. Versa Flex Whiteboard Sheets offers an innovative solution for transforming surfaces into functional writing areas.



# Dimension Whiteboards & Tackboards

**EGAN**

## ■ Dimension Hover

Dimension Hover is a 5mm magnetic dry erase surface featuring a discreet mounting system for a floating wall effect.

## ■ Dimension Stele & Dimension 13

Designed specifically for free flow thinking, its clean aesthetic keeps the mind clear and free from distraction. With a 1" or 1/2" profile depth, Dimension is impactful and complementary to any design or environment.

## ■ Dimension Curve

Dimension Curve features a frameless design with 4" rounded corners and a slim 1-inch profile, achieving a minimalist aesthetic for a softer, smoother design.

## ■ Dimension Stratus

All edges of the board are chamfered back towards the wall at a 15-degree angle resulting in the board's floating appearance.

## ■ Dimension Integral

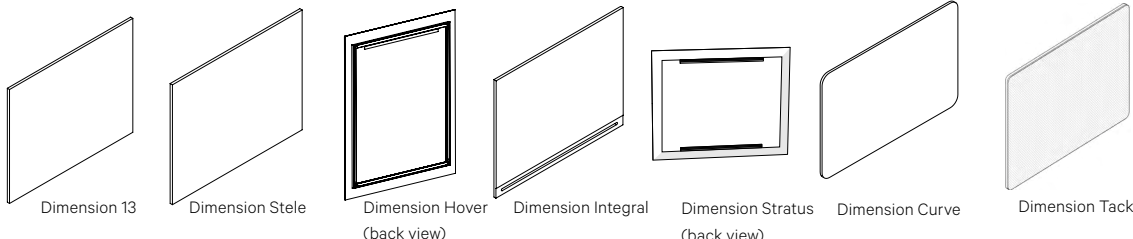
Dimension Stele with the added functionality of a marker tray that seamlessly integrates into the board. Dimension Integral features a 3/4" groove to hold whiteboard markers in a fashion that is true to the minimalist design principles of the Dimension line.

## ■ Dimension Tack

Dimension Tack is a frameless, squared edge profile that matches the design aesthetic of Dimension Stele. Choose from over 200 fabric options from Guilford of Maine and Maharam or chose Egan EzoBord/Polyethylene Terephthalate (PET), a unique tackable infill that is environmentally friendly, sound-absorptive and fire retardant.

## ■ Dimension Curve Tack

The same frameless design with 4" rounded corners and a slim 1-inch as the Dimension Curve, the tack version a board wrapped in tackable fabric of your choice. Choose from over 200 fabric options from Guilford of Maine and Maharam.



DIMENSION

**BUILT  
TO INSPIRE**



# Dimension Whiteboards & Tackboards

A sleek, minimalist look, the Dimension design family is characterized by a frameless board wrapped in Egan's unique proprietary dry erase surface: EVS. EVS is a professional grade surface that delivers against four components: guaranteed-to-clean even the toughest of stains, low gloss and glare for a 160-degree viewing and projection compatible surface, flexible design to cover large expanses (up to 400ft), and matte finish, which is tactilely stimulating and pleasing for the eyes.

Design features are distinguished by its vanishing edge, a frameless surface with clean, crisp lines for a simple and modern design. Suitable for every professional environment, Dimension products come in presentation board and TableScreen format. Dimension comes in a selection of standard sizes, or may be specified as a custom size. Key features include,

- Frameless
- Cleat mounted
- EVS dry-erase surface is magnetic
- Smooth matte, tactile writing surface
- Guaranteed-to-clean
- Ideal for Projection
- Link configuration option

## Dimension LINXX

Create a massive professional presentation surface with a monolithic, vanishing edge appearance with outstanding functionality; guaranteed-to-clean, projection-capable, and both standard and Egan NeoMagnet-compatible.

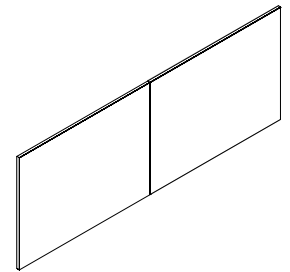
Dimension LINXX uses new Dimension Stele and Stratus (chamfered edge on outer edges only) cleat-mounted boards. To create Presentation Surfaces of varying lengths for endless run of writing surface.

### Dimension LINXX

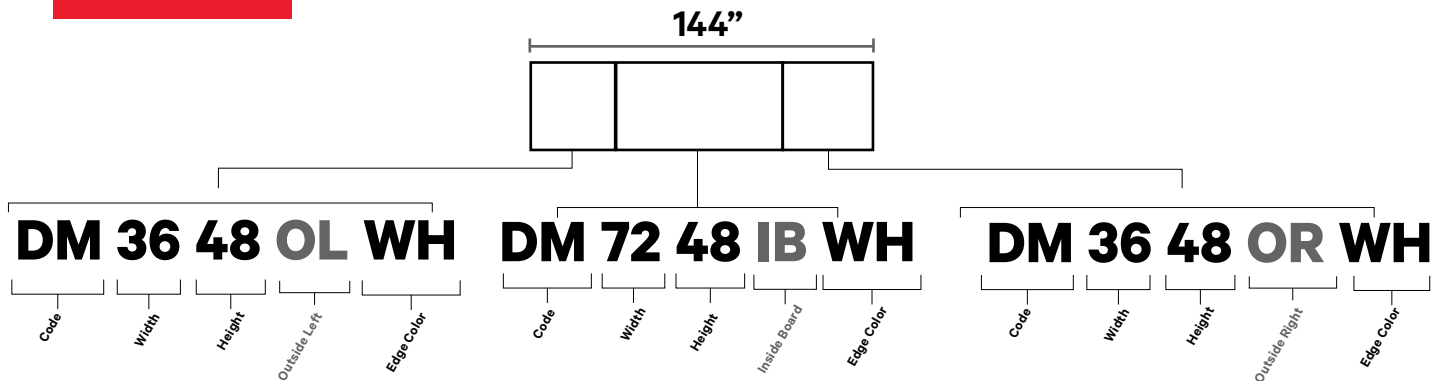
Select any combination of DM, DM13, or DMS boards to create your infinite length run. When combining Stratus, only outside boards will be Stratus. When selecting LINXX option, specify outside left (OL), inside board (IB) or outside right (OR) for \$80 US list upcharge per board.

See page 76 for information on the Dimension Sliding system.

Note for Dimension Curve: The run of Dimension Curve Tack Boards when linked will be manufactured to allow for the inside, or the seamed edges, to have a 90 degree for smooth installation by joining at the seam. These boards do not include the standard male and female linking bracket.



## HOW TO ORDER



# Dimension Whiteboards

Whiteboards & Tackboards

	Dimension Hover (0.2"d) Code: DMH	Dimension 13 (1/2"d) Code: DM13	Dimension Stele (1"d) Code: DM	Dimension Stratus (1"d) Code: DMS	Dimension Curve (1"d) Code: DMR	Dimension Integral (1"d) Code: DMI
48"w x 36"h	\$1,100	\$1,250	\$1,270	\$1,550	\$1,460	\$1,450
48"w x 48"h	\$1,210	\$1,310	\$1,330	\$1,640	\$1,530	\$1,510
60"w x 48"h	\$1,410	\$1,430	\$1,450	\$1,750	\$1,670	\$1,710
72"w x 48"h	\$1,700	\$1,510	\$1,530	\$1,830	\$1,760	\$1,790
96"w x 48"h	\$2,330	\$1,700	\$1,740	\$2,030	\$2,010	\$1,980
120"w x 48"h	\$2,820	\$2,260	\$2,310	\$2,630	\$2,660	\$2,560
Projection Compatible						
77"w x 48"h   16:10	\$1,750	\$1,630	\$1,670	\$1,850	-	-
82"w x 51"h   16:9	\$1,850	\$1,820	\$1,860	\$2,140	-	-

Custom sizes available - Select next larger size and add \$250 to list / item COM (customer's own material) Upcharge: \$150 List handling fee. Customer required to purchase fabric Boards can be ordered in a linked format. See following page (page 9).

### 1. PRODUCT CODE

Code	Description
DMH	Dimension Hover: 5mm
DM13	Dimension 13: 1/2" Depth
DM	Dimension Stele: 1" Depth
DMI	Integral: Integrated Tray
DMS	Stratus: Knife Edge detail
DMR	Dimension Curve

### 2. LINXX POSITION

Not applicable offer on Hover or Integral

Code	Description	Price
-	Stand Alone (not linked)	\$0
OL	Outside Left	\$80
IB	Inside Board	\$80
OR	Outside Right	\$80

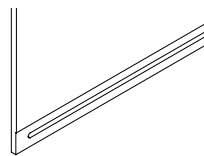
### 3. EDGE COLOR

Code	Description	Price
WH	White	\$ 0
CC	Custom Color	\$ 250

### 4. TRAY COLOR\*

\*Applies to Integral (DMI) product only

Code	Description	Price
WH	White	\$ 0
CC	Custom Color	\$ 250

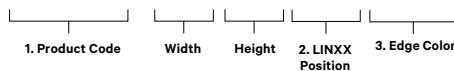


### 5. EGANINK

Specify EganINK on EVS. Please reach to [our team](#) for an [EganINK](#) quote with your custom art file.

### HOW TO ORDER

**DM13-60 48 OL WH**



**DMI 60 48 WH WH I**



### WHAT'S IN THE BOX

Mounting cleats: ACWALMB-Z  
Two (2) assorted color Dry-Erase Markers  
One (1) EganCloth

# Dimension Tackboards

Choose from over 200 fabric options from Guilford of Maine and Maharam or chose Egan EzoBord/Polyethylene Terephthalate (PET), a unique tackable infill that is environmentally friendly, sound-absorptive and fire retardant.

- 42% recycled content and 100% recyclable polyester
- Noise Reduction Coefficient (NRC) of 0.80
- Fire Retardant under ASTM E 84

	Dimension Tack EzoBord Code: DT	Dimension Tack Standard Fabric Code: DT	Dimension Tack Grade A Fabric Code: DT	Dimension Curve Tack Standard Fabric Code: DTR	Dimension Curve Tack Grade A Fabric Code: DTR
48" w x 36" h	\$800	\$870	\$1,020	\$990	\$1,140
48" w x 48" h	\$910	\$980	\$1,130	\$1,120	\$1,270
60" w x 48" h	\$1,150	\$1,220	\$1,370	\$1,410	\$1,560
72" w x 48" h	\$1,210	\$1,280	\$1,430	\$1,480	\$1,650
96" w x 48" h	\$1,350	\$1,420	\$1,570	\$1,630	\$1,800
120" w x 48" h	-	-	-	-	-

COM (customer's own material) Upcharge: \$150 List handling fee. Customer required to purchase fabric Boards can be ordered in a linked format. See following page (page 9).

### 1. PRODUCT CODE

Code	Description
DT	Dimension Tack 1-1/8" Depth
DTR	Dimension Curve Tack

### 2. LINXX POSITION

Not applicable offer on Hover or Integral

Code	Description	Price
-	Stand Alone (not linked)	\$0
OL	Outside Left	\$80
IB	Inside Board	\$80
OR	Outside Right	\$80

### 3. EDGE COLOR

Edge Color is not an option on Dimension Curve Tackboard (DTR) as edge is wrapped in surface fabric

Code	Description	Price
WH	White	\$0

### 4. SURFACE

Dimension Tack	
F	Fabric
T	EzoBord/PET

See [page 12](#) for Egan Standard Fabric & a full list of available Grade A fabrics

### 5. EGANINK

Specify EganINK on EVS. Please reach to [our team](#) for an [EganINK](#) quote with your custom art file.

### HOW TO ORDER

**DT 72 48 OL WH F 123456-123**



### WHAT'S IN THE BOX

Mounting cleats: ACWALMB-Z  
Two (2) assorted color Dry-Erase Markers  
One (1) EganCloth

## Boxcore Whiteboards & Tackboards

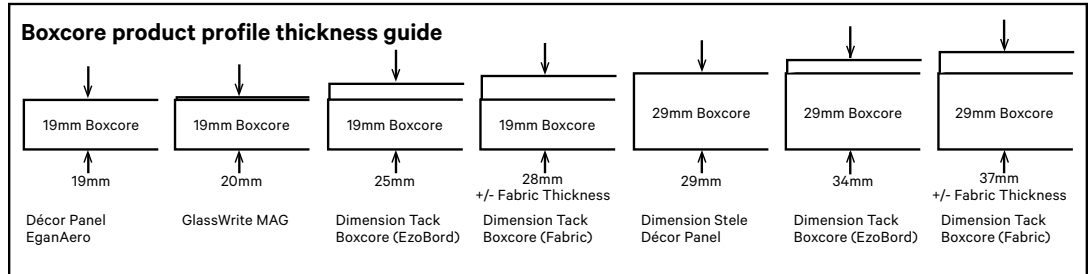
### ■ Boxcore 19

Egan Boxcore 19 provides robust edges and clean contemporary esthetics. The Boxcore frame is clear anodized aluminum and sits flush against the wall, with the presentation surface 3/4" (19mm) proud from the wall. The frame features a low profile when viewed from the front. Integrated wallmounts mean the board can be mounted in a landscape or portrait orientation, switching between them easily. Available with EVS, Glass and Tack infills.

### ■ Boxcore 29

Boxcore 29 provides all the benefits of Boxcore 19 but has a bolder design esthetic with a thicker frame (29mm or 1 1/8"), giving the board a deeper profile, sitting more proud off the wall.

BOXCORE



**BUILT  
TO INSPIRE**

# Boxcore Dry-Erase Surfaces

## Boxcore 19mm Depth

	EVS Code: DMB19	GlassWrite MAG Code: DGMB19	EganAero MAG Code: EAB19
48"w x 36"h x 3/4"d	\$910	\$2,060	\$2,410
48"w x 48"h x 3/4"d	\$1,050	\$2,520	\$2,960
60"w x 48"h x 3/4"d	\$1,130	\$2,860	\$3,320
72"w x 48"h x 3/4"d	\$1,220	\$3,260	\$3,790
96"w x 48"h x 3/4"d	\$1,710	\$3,950	-
120"w x 48"h x 3/4"d	\$2,120	-	-
<b>Projection Compatible</b>			
77"w x 48"h   16:10	\$1,320	-	-
82"w x 51"h   16:9	\$1,820	-	-

## Boxcore 29mm Depth

	EVS Code: DMB29	GlassWrite MAG Code: DGMB29	EganAero MAG Code: EAB29
	\$1,030	\$2,180	\$2,910
	\$1,170	\$2,640	\$3,560
	\$1,320	\$3,040	\$4,080
	\$1,410	\$3,440	\$4,650
	\$1,880	\$4,120	-
	\$2,330	-	-
	\$1,810	-	-
	\$2,030	-	-

Boards are single sided wallmounted  
 Custom sizes available - Select next larger size and add \$250 to list / item  
 COM (customer's own material) Upcharge: \$150 List handling fee. Customer required to purchase fabric

Whiteboards & Tackboards

### 1. PRODUCT CODE

Code	Description
<b>DMB19</b>	Whiteboard EVS - 19mm Depth
<b>DGMB19</b>	GlassWrite MAG - 19mm Depth
<b>EAB19</b>	Glass: EganAero - 19mm Depth
<b>DMB29</b>	Whiteboard EVS - 29mm Depth
<b>DGMB29</b>	GlassWriteMAG - 29mm Depth
<b>EAB29</b>	Glass: EganAero - 29mm Depth

Boxcore Glass 19 & 29 use the same product code; call out frame selection in description on your Purchase Order (PO)

### 2. SURFACE

Glass: GlassWrite & EganAero	
<b>WH</b>	White
<b>IP</b>	Infinite Color Program
Visit <a href="http://egan.com">egan.com</a> or <a href="http://pantone.com">pantone.com</a> for colors. Backpainted glass only.	

### 4. EGANINK

Specify EganINK on EVS or Glass. Please reach to [our team](mailto:ourteam@egan.com) for an [EganINK](http://EganINK) quote with your custom art file.

### 3. FRAME COLOR

Code	Description	Price
<b>CA</b>	Clear Anodized	\$ 0
<b>WH</b>	White	\$ 0
<b>BL</b>	Black	\$ 0
<b>CC</b>	Custom Color	\$ 250

### WHAT'S IN THE BOX

Mounting cleats included  
 For dry-erase surfaces, two (2) assorted color Dry-Erase Markers, and one (1) EganCloth

### HOW TO ORDER

**EVS**

**DMB19-96 48 CA |**

1. Product Code    Width    Height    3. Frame    4. EganINK File#

**EVS**

**DMB29-48 48 WH |**

1. Product Code    Width    Height    3. Frame    4. EganINK File # supplied by Egan

**GLASS**

**DGMB19-48 48 WH WH |**

1. Code    Width    Height    2. Surface    3. Frame Color    4. EganINK File#

**GLASS**

**DGMB29-48 48 WH WH |**

1. Code    Width    Height    2. Surface    3. Frame Color    4. EganINK File#



# Boxcore Tackboard

## Boxcore 19mm Depth

	Tack EzoBord Code: DTB19	Tack Standard Fabric Code: DTB19	Tack Grade A Fabric Code: DTB19
48"w x 36"h x 3/4"d	\$910	\$1 030	\$1,150
48"w x 48"h x 3/4"d	\$1,050	\$1 170	\$1,290
60"w x 48"h x 3/4"d	\$1,130	\$1 250	\$1,370
72"w x 48"h x 3/4"d	\$1,220	\$1 390	\$1,530
96"w x 48"h x 3/4"d	\$1,710	\$1 880	\$2,020
120"w x 48"h x 3/4"d	-	-	-

## Boxcore 29mm Depth

	Tack EzoBord Code: DTB29	Tack Standard Fabric Code: DTB29	Tack Grade A Fabric Code: DTB29
	\$1,030	\$1,160	\$1,280
	\$1,170	\$1,300	\$1,420
	\$1,320	\$1,450	\$1,570
	\$1,410	\$1,600	\$1,730
	\$1,880	\$2,070	\$2,200
	-	-	-

Boards are single sided wallmounted

Custom sizes available - Select next larger size and add \$250 to list / item

COM (customer's own material) Upcharge: \$150 List handling fee. Customer required to purchase fabric

Whiteboards & Tackboards

### 1. PRODUCT CODE

Code	Description
<b>DTB19</b>	Boxcore Tack - 19mm
<b>DTB29</b>	Boxcore Tack - 29mm

Boxcore Tack 19 & 29 use the same product code; call out frame selection in description on your Purchase Order (PO)

### 2. SURFACE

Tack	
<b>F</b>	Fabric
<b>T</b>	EzoBord/PET

See [page 12](#) for Egan Standard Fabric & a full list of available Grade A fabrics

### 3. FRAME COLOR

Code	Description	Price
<b>CA</b>	Clear Anodized	\$ 0
<b>WH</b>	White	\$ 0
<b>BL</b>	Black	\$ 0
<b>CC</b>	Custom Color	\$ 250

### 4. EGANINK

Specify EganINK on EVS or Glass. Please reach to [our team](#) for an [EganINK](#) quote with your custom art file.

### HOW TO ORDER

19mm DEPTH

**DTB19-48 48 F CA 463490-001**

1. Product Code    Width    Height    2. Surface    3. Frame Color    Fabric #

29mm DEPTH

**DTB29-48 48 F CA 463490-001**

1. Product Code    Width    Height    2. Surface    3. Frame Color    Fabric #

### WHAT'S IN THE BOX

Mounting cleats included

For dry-erase surfaces, two (2) assorted color Dry-Erase Markers, and one (1) EganCloth

## Architrave Whiteboards & Tackboards

### ■ Architrave Whiteboard | EVS

Enhance your whiteboard by integrating a natural, organic design that will provide a peaceful, calming space for ideas to flow. Available in 6 stains - visit [Egan.com](https://Egan.com) for more information.

### ■ Architrave Tackboard | Fabric or EzoBord

Egan offers a wide range of tackable surfaces. Choose from over 200 fabric options from Guilford of Maine and Maharam or chose Egan EzoBord/Polyethylene Terephthalate (PET), a unique tackable infill that is environmentally friendly, sound-absorptive and fire retardant.

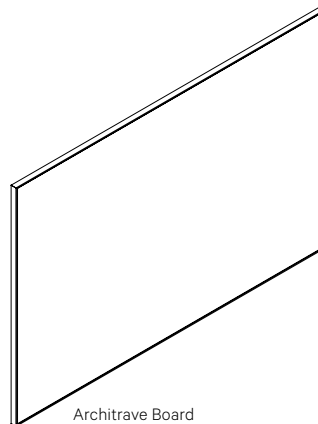
- 42% recycled content and 100% recyclable polyester
- Noise Reduction Coefficient (NRC) of 0.80
- Fire Retardant under ASTM E 84

### ■ Architrave | GlassWrite

Specify Egan GlassWrite into any Architrave frame. Available in over 1,050 colors at no extra cost and neo-magnet compatible. Visit [Egan.com/infinite-color-palette](https://Egan.com/infinite-color-palette) to explore all 1,050 colors.

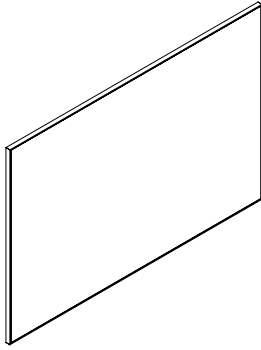
### ■ Architrave | EganAero

EganAero is an ultra thin, hi-tech glass, measuring only 1/50" (2mm) thin. EganAero reduces the drop shadow you get with typical glass. Available in over 1,050 colors at no upcharge and magnet compatible.



Architrave Board

# Architrave Whiteboard



	EVS Code: ARCE	GlassWrite MAG Code: ARCG	EganAero MAG Code: ARCEA
48" w x 36" h x 1 1/8" d	\$1,030	\$2,180	\$2,530
48" w x 48" h x 1 1/8" d	\$1,170	\$2,640	\$3,080
60" w x 48" h x 1 1/8" d	\$1,320	\$3,040	\$3,500
72" w x 48" h x 1 1/8" d	\$1,410	\$3,440	\$3,980
96" w x 48" h x 1 1/8" d	\$1,880	\$4,120	-
<b>Projection Compatible</b>			
77" w x 48" h   16:10	\$1,810	-	-
82" w x 51" h   16:9	\$2,030	-	-

Custom sizes available - Select next larger size and add \$250 to list / item  
 For Custom size glass infill please reach out for quote  
 COM (customer's own material) Upcharge: \$150 List handling fee. Customer required to purchase fabric

Whiteboards & Tackboards

## 1. PRODUCT CODE

Code	Description
<b>ARCE</b>	Architrave EVS Whiteboard
<b>ARCG</b>	Architrave GlassWrite magnetic glassboard
<b>ARCEA</b>	Architrave EganAero magnetic glassboard

## 2. SURFACE

Applicable to only GlassWrite & EganAero dry-erase surfaces

Glass: GlassWrite & EganAero		Price
<b>WH</b>	White	\$0
<b>IP</b>	Infinite Color Program	\$0
<b>CC</b>	Custom Color	\$250

Visit [egan.com](http://egan.com) or [pantone.com](http://pantone.com) for colors. Backpainted glass only.

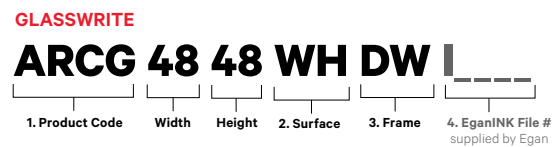
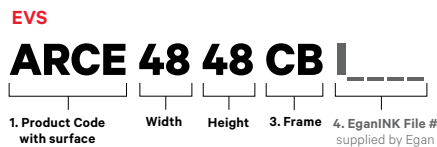
## 3. FRAME STAINS

Code	Description	Price
<b>HS</b>	Haystack	\$ 0
<b>WL</b>	Woodland	\$ 0
<b>DW</b>	Driftwood	\$ 0
<b>BB</b>	Barnboard	\$ 0
<b>CB</b>	Carbon	\$ 0
<b>NA</b>	Natural	\$ 0
<b>CS</b>	Custom Stain	\$ 300

## 4. EGANINK

Specify EganINK on EVS or Glass. Please reach to [our team](#) for an [EganINK](#) quote with your custom art file.

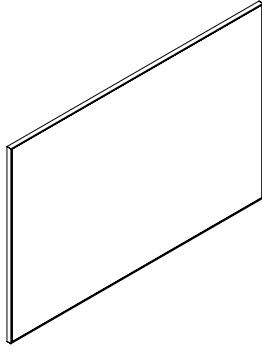
## HOW TO ORDER



## WHAT'S IN THE BOX

Mounting cleats included.  
 For dry-erase surfaces, two (2) assorted color Dry-Erase Markers and one (1) EganCloth

# Architrave Tackboard



	Tack EzoBord Code: ARCT	Tack Standard Fabric Code: ARCF	Tack Grade A Fabric Code: ARCF
48"w x 36"h x 1 1/8"d	\$1,030	\$1,160	\$1,280
48"w x 48"h x 1 1/8"d	\$1,170	\$1,300	\$1,420
60"w x 48"h x 1 1/8"d	\$1,320	\$1,450	\$1,570
72"w x 48"h x 1 1/8"d	\$1,410	\$1,600	\$1,730
96"w x 48"h x 1 1/8"d	\$1,880	\$2,070	\$2,200

Custom sizes available - Select next larger size and add \$250 to list / item COM (customer's own material) Upcharge: \$150 List handling fee. Customer required to purchase fabric

Whiteboards & Tackboards

### 1. PRODUCT CODE

Code	Description
<b>ARC</b>	Architrave

### 2. SURFACE

Code	Description
<b>F</b>	Fabric
<b>T</b>	EzoBord /PET

See [page 12](#) for Egan Standard Fabric & a full list of available Grade A fabrics

### 3. FRAME STAINS

Code	Description	Price
<b>HS</b>	Haystack	\$ 0
<b>WL</b>	Woodland	\$ 0
<b>DW</b>	Driftwood	\$ 0
<b>BB</b>	Barnboard	\$ 0
<b>CB</b>	Carbon	\$ 0
<b>NA</b>	Natural	\$ 0
<b>CS</b>	Custom Stain	\$ 300

### 5. EGANINK

Specify EganINK on EVS or Glass. Please reach to [our team](#) for an [EganINK](#) quote with your custom art file.

### HOW TO ORDER

**FABRIC**  
**ARC F 48 48 CB-F463490-001**

1. Product Code	2. Surface Width	Height	3. Frame Stain		Fabric #

### WHAT'S IN THE BOX

Mounting cleats included.  
 For dry-erase surfaces, two (2) assorted color Dry-Erase Markers and one (1) EganCloth

## Classic Whiteboards & Bulletin Boards

### ■ Aluminum Frame | Whiteboard & Bulletin Board

Aluminum Frame Whiteboards feature EVS™ surface, Porcelain, or tackable fabric framed in clear anodized aluminum frame with precision square mitered corners. Guaranteed-to-clean and never warp, Egan Aluminum Frame Markerboards are magnet-compatible.

### ■ Linked Aluminum Frame Combination Boards

Link any combination of Whiteboards and Tackboards to create a superior quality communication wall.

### ■ Aluminum Frame w/ Full Length Integrated Tray

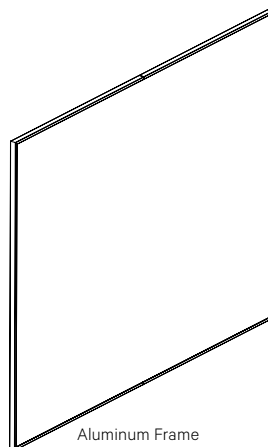
Aluminum Frame board integrated with the exquisite custom-fit Full Length Aluminum Marker Tray. The Tray's clean edges and contemporary design blends perfectly with the Clear Anodized frame.

### ■ Classic Wood Frame | Whiteboard & Bulletin Board

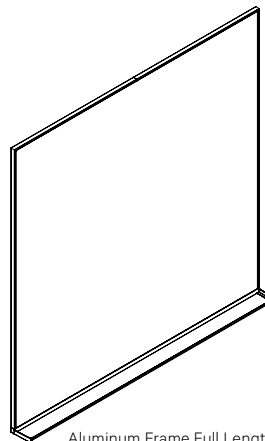
A solid hardwood frame with a 1/2" bullnose edge. Satin lacquer in an open-grain finish gives this robust board excellent appeal. Available in EVS, Porcelain or Tack.

### ■ Linked Hardwood Frame Combination Boards

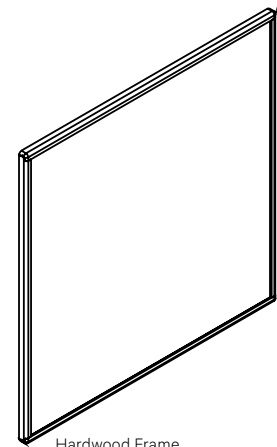
Featuring high-performance EVS or porcelain with hardwood frames - 1" wood frame with a 1/2" bullnose detail. Link any combination of Linked Whiteboards and Tackboards to create a superior quality communication wall.



Aluminum Frame



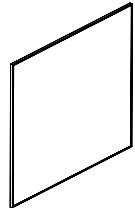
Aluminum Frame Full Length Tray



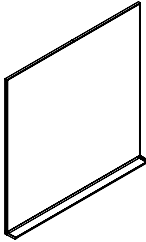
Hardwood Frame



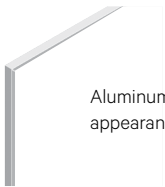
# Aluminum Frame Whiteboard



Aluminum frame (MES & MDMS) with clip on 16" tray



Aluminum frame (MFTES & MFTMS) with integrated full length tray



Aluminum frame corner appearance

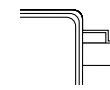
	Full Length Integrated Marker Tray		16" Clip-on Marker Tray	
	EVS Whiteboard Code: MFTES	Porcelain Whiteboard Code: MFTMS	EVS Whiteboard Code: MES	Porcelain Whiteboard Code: MDMS
24"w x 36"h	\$450	\$530	\$400	\$460
48"w x 36"h	\$690	\$750	\$610	\$670
48"w x 48"h	\$820	\$900	\$730	\$800
60"w x 48"h	\$970	\$1,060	\$860	\$940
72"w x 48"h	\$1,130	\$1,210	\$980	\$1,090
96"w x 48"h	\$1,340	\$1,450	\$1,170	\$1,290
120"w x 48"h	\$1,720		\$1,530	-
<b>Projection Compatible</b>				
77"w x 48"h   16:10	-		\$1,150	-
82"w x 51"h   16:9	-		\$1,370	-

Custom Color Frame: Additional \$250  
 Custom sizes available - Select next larger size and add \$250 to list / item

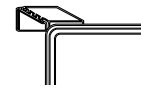
Whiteboards & Tackboards

## 1. PRODUCT CODE

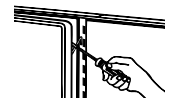
Code	Description
<b>MFTES</b>	EVS   Square Frame - Aluminum full length tray
<b>MFTMS</b>	Porcelain   Square Frame - Aluminum full length tray
<b>MES</b>	EVS   Square Frame - 16" clip on tray
<b>MDMS</b>	White Porcelain   Square Frame - 16" clip on tray



Wall Mount Bracket: W



Top Bracket: T



System Mount: S

## 2. MOUNT

Code	Description	Price
<b>W</b>	Wall Mount	\$ 0
<b>T</b>	Top Bracket (1 3/4" to 2 3/4")	\$ 0
<b>T-EOEX</b>	Top Bracket Extended (2 3/4"-4")	\$ 12
<b>S</b>	System Mount	\$ 0

Top Mount brackets are universal and can be easily adjusted to accommodate any workstation panel measuring from 1 3/4" to 2 3/4" thick. For panels 2 3/4"-4" deep please specify EOEX at \$12. Adjustable by 1/8" increments. Due to weight restraints, 72" x 48", 82" x 51", 96" x 48", and 120" x 48" boards are not available with System Mount (contact customer service for select Top Mount sizes). Brackets are aluminum with a clear anodized finish. Custom colors are not available on the brackets. Plastic protective sleeves are included to assure no damage is caused to the system.

## 3. FRAME COLOR

Code	Description	Price
<b>-</b>	Clear Anodized Aluminum	\$ 0
<b>BL</b>	Black	\$ 0
<b>WH</b>	White	\$ 0

## 4. EGANINK

Specify EganINK on EVS only. Please reach to [our team](#) for an [EganINK](#) quote with your custom art file.

## HOW TO ORDER

Aluminum Frame EVS - Clip on Tray

**MES 96 48 W BL I**

1. Product Code    2. Width    3. Height    4. Mount    5. Frame Color    6. EganINK File# (supplied by Egan)

Aluminum Frame Porcelain - Integrated Tray

**MFTMS 60 48 W**

1. Product Code    2. Width    3. Height    4. Mount

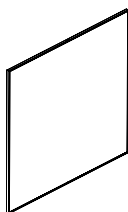
## WHAT'S IN THE BOX

Mounting brackets as specified  
 16" EM Marker Tray included with writing surface  
 For dry-erase surfaces, two (2) assorted color, Dry-Erase Markers, one (1) EganCloth, and one (1) Marker Tray

# Aluminum Frame Bulletin Board

Choose from over 200 fabric options from Guilford of Maine and Maharam or chose Egan EzoBord/Polyethylene Terephthalate (PET), a unique tackable infill that is environmentally friendly, sound-absorptive and fire retardant.

- 42% recycled content and 100% recyclable polyester
- Noise Reduction Coefficient (NRC) of 0.80
- Fire Retardant under ASTM E 84



Aluminum frame (MDTS & MDCS)

	Tack Standard Fabric Code: MDTS	Tack Grade A Fabric Code: MDTS	Tack Cork Code: MDCS
24"w x 36"h	\$460	\$590	\$590
48"w x 36"h	\$680	\$810	\$810
48"w x 48"h	\$800	\$930	\$930
60"w x 48"h	\$930	\$1,060	\$1,060
72"w x 48"h	\$1,030	\$1,180	\$1,180
96"w x 48"h	\$1,230	\$1,380	\$1,380

Custom Color Frame: Additional \$250

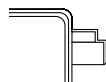
Custom sizes available - Select next larger size and add \$250 to list / item

COM (customer's own material) Upcharge: \$150 List handling fee per fabric. Customer required to purchase fabric

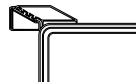
## 1. PRODUCT CODE

Code	Description
MDCS	Tack Cork   Square Frame
MDTS	Tack Fabric   Square Frame

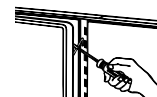
For Egan Standard Fabric & a full list of available Grade A fabrics, see [page 12](#)



Wall Mount Bracket: W



Top Bracket: T



System Mount: S

## 2. MOUNT

Code	Description	Price
W	Wall Mount	\$ 0
T	Top Bracket (1 3/4" to 2 3/4")	\$ 0
T-EOEX	Top Bracket Extended (2 3/4"-4")	\$ 12
S	System Mount	\$ 0

Top Mount brackets are universal and can be easily adjusted to accommodate any workstation panel measuring from 1 3/4" to 2 3/4" thick. For panels 2 3/4"-4" deep please specify EOEX at \$12. Adjustable by 1/8" increments. Due to weight restraints, 72" x 48", 82" x 51", 96" x 48", and 120" x 48" boards are not available with System Mount (contact customer service for select Top Mount sizes). Brackets are aluminum with a clear anodized finish. Custom colors are not available on the brackets. Plastic protective sleeves are included to assure no damage is caused to the system.

## 3. FRAME COLOR

Code	Description	Price
-	Clear Anodized Aluminum	\$ 0
BL	Black	\$ 0
WH	White	\$ 0

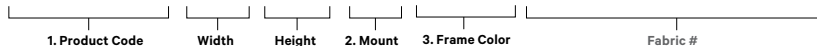
## 4 EGANINK

Specify EganINK on fabric. Please reach to [our team](#) for an [EganINK](#) quote with your custom art file.

## HOW TO ORDER

Aluminum Frame Bulletin Board

**MDTS 72 48 W WH 463490-001**



## WHAT'S IN THE BOX

- Mounting brackets as specified
- 16" EM Marker Tray included with writing surface
- For dry-erase surfaces, two (2) assorted color, Dry-Erase Markers, one (1) EganCloth, and one (1) Marker Tray

# Linked Aluminum Frame Combination Boards

Choose from over 200 fabric options from Guilford of Maine and Maharam or chose Egan EzoBord/Polyethylene Terephthalate (PET), a unique tackable infill that is environmentally friendly, sound-absorptive and fire retardant.

- 42% recycled content and 100% recyclable polyester
- Noise Reduction Coefficient (NRC) of 0.80
- Fire Retardant under ASTM E 84



	EVS Code: IES	Porcelain Code: IMS	Tack Standard Fabric Code: ITS	Tack Grade A Fabric Code: ITS	Tack Cork Code: ICS
24"w x 36"h	\$510	\$570	\$570	\$700	\$700
48"w x 36"h	\$680	\$720	\$680	\$810	\$810
48"w x 48"h	\$800	\$840	\$840	\$970	\$970
60"w x 48"h	\$910	\$980	\$970	\$1,100	\$1,100
72"w x 48"h	\$1,060	\$1,120	\$1,080	\$1,230	\$1,230
96"w x 48"h	\$1,250	\$1,340	\$1,290	\$1,440	\$1,440
120"w x 48"h	\$1,590	-	-	-	-

Standard with Wall Mount (Cleat) . Other Mounting Options may be available upon request  
 Custom Color Frame: Additional \$250

Custom sizes available - Select next larger size and add \$250 to list / item

COM (customer's own material) Upcharge: \$150 List handling fee per fabric. Customer required to purchase fabric

Whiteboards & Tackboards

## 1. PRODUCT CODE

Code	Description
IES	EVS
IMS	White Porcelain
ITS	Tack Fabric
ICS	Tack Cork

For Egan Standard Fabric & a full list of available Grade A fabrics, see [page 12](#)

## 2. POSITION

Code	Description
OL	Outside Left
IB	Inside Board
OR	Outside Right

## 3. FRAME COLOR

Code	Description	Price
-	Clear Anodized Aluminum	\$ 0
BL	Black	\$ 0
WH	White	\$ 0

## EGANINK

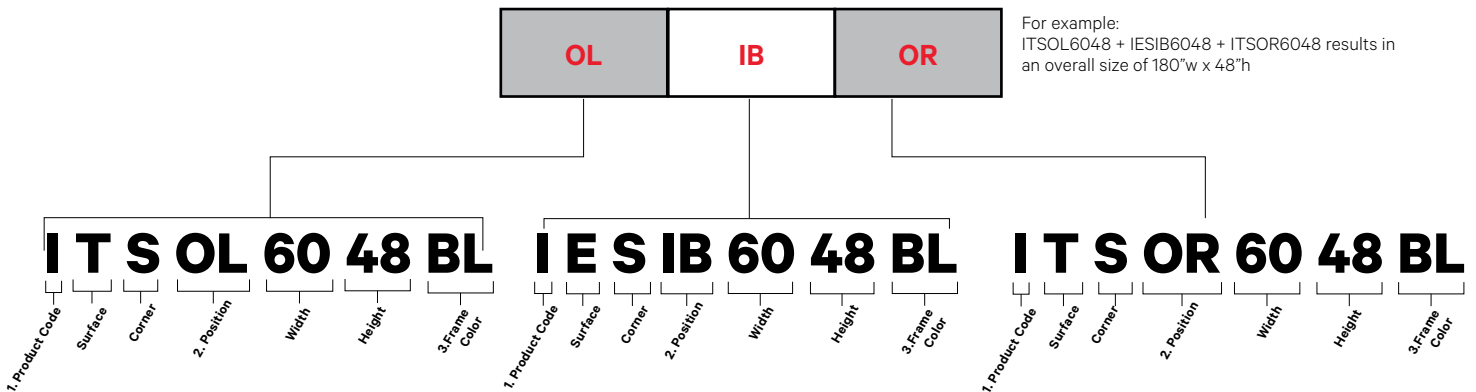
Specify EganINK on EVS and fabric. Please reach to [our team](#) for an [EganINK](#) quote with your custom art file.

## HOW TO ORDER

180"

Specify each linked segment starting from left to right. Include model code and size code.

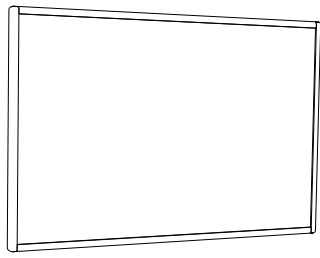
For example:  
 ITSOL6048 + IESIB6048 + ITSOR6048 results in an overall size of 180"w x 48"h



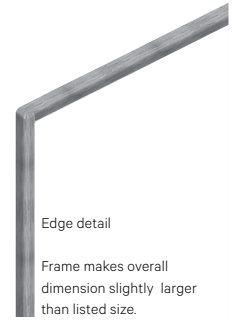
## WHAT'S IN THE BOX

- Mounting brackets as specified
- For dry-erase surface 16" plastic trays included
- For dry-erase surfaces, two (2) assorted color Dry-Erase Markers, and one (1) EganCloth

# Classic Wood Framed Whiteboard



	EVS Code: MEW	Porcelain Code: MDMW
48" w x 36" h	\$1,050	\$1,130
48" w x 48" h	\$1,140	\$1,280
60" w x 48" h	\$1,280	\$1,450
72" w x 48" h	\$1,480	\$1,600
96" w x 48" h	\$1,700	\$1,790



Custom Stain Frame: Additional \$300

Custom sizes available - Select next larger size and add \$250 to list / item

Whiteboards & Tackboards

## 1. PRODUCT CODE

Code	Description
MEW	EVS
MDMW	Porcelain

## 2. STAINS

Code	Description	Price
HS	Haystack	\$ 0
WL	Woodland	\$ 0
DW	Driftwood	\$ 0
BB	Barnboard	\$ 0
CB	Carbon	\$ 0
NA	Natural	\$ 0
CS	Custom Stain	\$ 300

## 3. EGANINK

Specify EganINK on EVS only. Please reach to [our team](#) for an [EganINK](#) quote with your custom art file.

## HOW TO ORDER

**EVS**  
**MEW 48 48 HS | \_\_\_\_\_**

1. Product Code      Width      Height      2. Stains      3. EganINK File # (supplied by Egan)

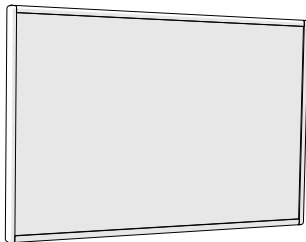
## WHAT'S IN THE BOX

Mounting brackets as specified  
 For Dry-erase surfaces, two (2) assorted color Dry-Erase Markers, one (1) EganCloth

# Classic Hardwood Bulletin Board

Choose from over 200 fabric options from Guilford of Maine and Maharam or chose Egan EzoBord/Polyethylene Terephthalate (PET), a unique tackable infill that is environmentally friendly, sound-absorptive and fire retardant.

- 42% recycled content and 100% recyclable polyester
- Noise Reduction Coefficient (NRC) of 0.80
- Fire Retardant under ASTM E 84



	Tack Standard Fabric Code: MDTW	Tack Grade A Fabric Code: MDTW	Tack Cork Code: MDCW
48" w x 36" h	\$1,130	\$1,270	\$1,270
48" w x 48" h	\$1,260	\$1,400	\$1,400
60" w x 48" h	\$1,380	\$1,520	\$1,520
72" w x 48" h	\$1,530	\$1,670	\$1,670
96" w x 48" h	\$1,690	\$1,830	\$1,830



Edge detail

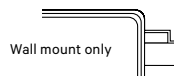
Custom Stain Frame: Additional \$300

Custom sizes available - Select next larger size and add \$250 to list / item COM (customer's own material) Upcharge: \$150 List handling fee. Customer required to purchase fabric

## 1. PRODUCT CODE

Code	Description
MDTW	Tack Fabric
MDCW	Tack Cork

For a full list of Standard and Grade A fabric options, see [page 12](#)



Wall mount only

## 2. STAINS

Code	Description	Price
HS	Haystack	\$ 0
WL	Woodland	\$ 0
DW	Driftwood	\$ 0
BB	Barnboard	\$ 0
CB	Carbon	\$ 0
NA	Natural	\$ 0
CS	Custom Stain	\$ 300

## 3. EGANINK

Specify EganINK on EVS and fabric. Please reach to [our team](#) for an [EganINK](#) quote with your custom art file.

## HOW TO ORDER

### TACK FABRIC

**MDTW 24 36 DW 463490-001**

1. Product Code

Width

Height

2. Stains

Fabric #

## WHAT'S IN THE BOX

Mounting brackets as specified

For Dry-erase surfaces, two (2) assorted color Dry-Erase Markers, one (1) EganCloth

# Linked Hardwood Frame Combination Boards

Choose from over 200 fabric options from Guilford of Maine and Maharam or chose Egan EzoBord/Polyethylene Terephthalate (PET), a unique tackable infill that is environmentally friendly, sound-absorptive and fire retardant.

- 42% recycled content and 100% recyclable polyester
- Noise Reduction Coefficient (NRC) of 0.80
- Fire Retardant under ASTM E 84



Edge detail

	EVS Code: IWE	Porcelain Code: IWB	Tack Standard Fabric Code: IWT	Tack Grade A Fabric Code: IWT	Tack Cork Code: IWC
48"w x 36"h	\$1,100	\$1,180	\$1,170	\$1,300	\$1,300
48"w x 48"h	\$1,180	\$1,210	\$1,280	\$1,410	\$1,410
60"w x 48"h	\$1,330	\$1,490	\$1,410	\$1,540	\$1,540
72"w x 48"h	\$1,530	\$1,650	\$1,550	\$1,700	\$1,700
96"w x 48"h	\$1,750	\$1,820	\$1,750	\$1,900	\$1,900

Custom sizes available - Select next larger size and add \$300 to list / item COM (customer's own material) Upcharge: \$150 List handling fee. Customer required to purchase fabric

## 1. PRODUCT CODE & SURFACE

Code	Description
IWE	EVS
IWB	Porcelain
IWT	Tack Fabric
IWC	Tack Cork

For a full list of Standard and Grade A fabric options, see [page 12](#)

## 2. POSITION

Code	Description
OL	Outside Left
IB	Inside Board
OR	Outside Right

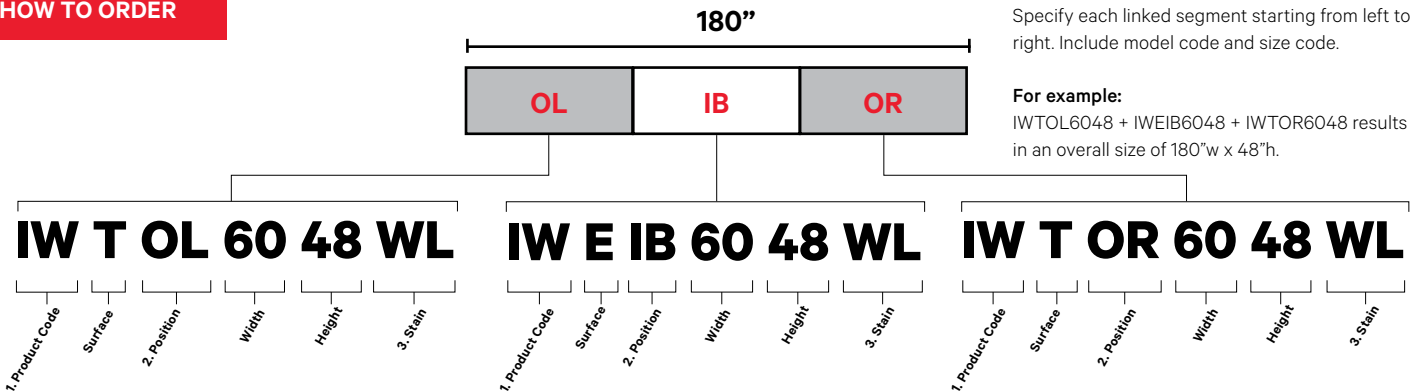
## 3. STAINS

Code	Description	Price
HS	Haystack	\$ 0
WL	Woodland	\$ 0
DW	Driftwood	\$ 0
BB	Barnboard	\$ 0
CB	Carbon	\$ 0
NA	Natural	\$ 0
CS	Custom Stain	\$ 300

## EGANINK

Specify EganINK on EVS and fabric. Please reach to [our team](#) for an [EganINK](#) quote with your custom art file.

## HOW TO ORDER

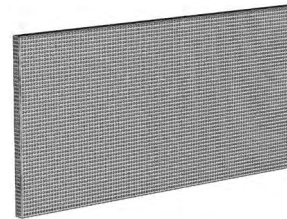


## WHAT'S IN THE BOX

Wall mount bracket and link connectors  
For dry-erase surfaces, two (2) assorted color Dry-Erase Markers, one (1) EganCloth

# TacMag Wall Panel

A one-of-a-kind, stunning display panel that is both magnetic and tackable - the first ever! TacMag is a sustainable tack infill wrapped in perforated steel that allows you to post and present materials in a modern and flexible way. Fit the TacMag seamlessly into your existing space with custom options, such as custom color or print on the perforated steel and custom stains for the cork interior board. Blend sizes and materials to create jaw-dropping mosaics and display walls.



Dimensions	Tack Mag Code: TMP
24"w x 16"h x 1"d	\$470
24"w x 24"h x 1"d	\$725
24"w x 36"h x 1"d	\$950

For custom sizes, please reach out to our sales team for a quote.

### 1. PRODUCT CODE

Code	Description
TMP	TacMag Wall Panel

### 2. TACKABLE INFILL

Code	Description
T	EzoBord
NC	Natural Cork

### 2 (b). EZO INFILL COLOR

Code	Description	Code	Description
VC97	Vanilla Cream	LB01	Light Beige
SP99	Sunset Pink	DS10	Desert Sand
MN12	Midnight Navy	SG04	Silver Gray
RB08	Royal Blue	EG11	Elephant Gray
EB50	Evening Blue	CG06	Charcoal Gray
AB32	Aegean Blue	PB09	Pure Black
MG10	Moss Green	DP30	Deep Purple
SD18	Sunny Days	TO24	Tiger Orange
CW04	Classic White	RR25	Ruby Red
PI14	Polar Ice	ES07	Ebony Slate

[See page 12 for EzoColors](#)

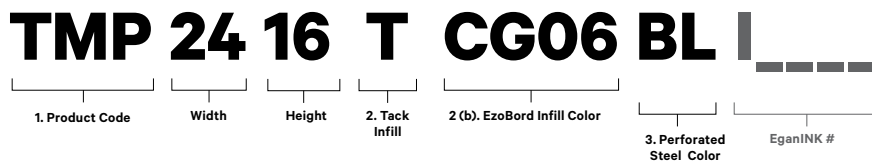
### 3. PERFORATED STEEL COLOR

Code	Description
BL	Black
WH	White
EM	EganMetallic
CC	Custom Color

### EGANINK

Specify EganINK on the perforated steel panel for graphic and logos or to combine multiple colors in patterns. Please reach to [our team](#) for an [EganINK](#) quote with your custom art file.

### HOW TO ORDER



### WHAT'S IN THE BOX

Mounting brackets.

## Wall Surfaces

### ■ Skins Writable Wall Surface | EVS & Porcelain

---

Skins Writable Wall Surface transform any surface into a writable area with high-performance, easy-to-install dry erase wallcovering, ideal for offices, classrooms, and collaborative spaces.

### ■ Versa Flex Whiteboard Sheets | Adhesive & Magnetic

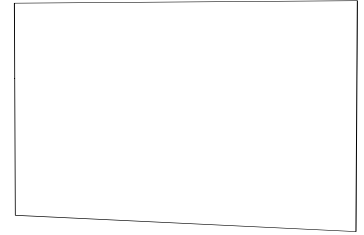
---

Versa Flex Whiteboard Sheets from Egan Visual is our proprietary EVS technology surface backed onto a flexible magnetic sheet, designed to easily convert any metal surface into a high-quality, customizable dry-erase board.



# EVS Skins - Writable Wall Surface Magnetic

- Dry-erase EVS surface applied to steel to create an easy to install ultra thin (need dimension) magnetic whiteboard solution.
- Create your own custom whiteboard solution by joining Skins at the seam for an infinite run of bespoke writable wall space.
- An ideal solution for resurfacing existing dry-erase and other materials.
- Further customization available through size, shape, print, color, trim kits and adhesive backer.



Dimensions	EVS Code: SKINE
48" w x 36" h x 0.025" d	\$410
48" w x 48" h x 0.025" d	\$525
60" w x 48" h x 0.025" d	\$650
72" w x 48" h x 0.025" d	\$775
96" w x 48" h x 0.025" d	\$1,000
120" w x 48" h x 0.025" d	\$1,250

Custom sizes available and factory cut outs available. Please reach out to sales for a quote. Board can be reoriented in field.

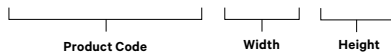
144" maximum size limitation. If greater than 96" in length, height cannot be longer than 48" height.

## PRODUCT CODE

Code	Description
<b>SKINE</b>	EVS Skins - Writable Wall Surface Magnetic

## HOW TO ORDER

# SKINE 96 48



## TRIM

Code	Description	Price
<b>TRIM120-1</b>	Trim: aluminum, self adhesive, 120"L x 1/2"W x 0.06"D	\$120
<b>TRIM120-2</b>	Trim: aluminum, self adhesive, 120"L x 3/4"W x 0.06"D	\$155

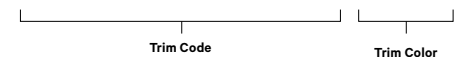
Field cut to desired size and join at seam for extended length.

## 1. TRIM COLOR

Code	Description	Price
<b>CA</b>	Clear Anodized aluminum finish	\$ 0
<b>WH</b>	White finish	\$ 0
<b>BL</b>	Black finish	\$ 0
<b>CC</b>	Custom Color finish	\$250

## HOW TO ORDER

# TRIM120-1 CA

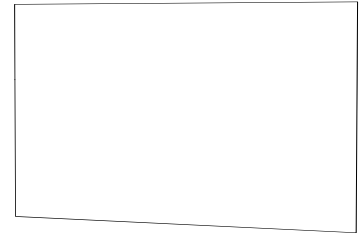


## ACCESSORIES

For compatible accessories, please visit <https://egan.com/accessories/>.

# Porcelain Skins - Writable Wall Surface Magnetic

- Dry-erase Porcelain surface applied to steel to create an easy to install ultra thin (need dimension) magnetic whiteboard solution.
- Create your own custom whiteboard solution by joining Skins at the seam for an infinite run of bespoke writable wall space.
- An ideal solution for resurfacing existing dry-erase and other materials.
- Further customization available through size, shape, print, color, trim kits and adhesive backer.



Dimensions	Porcelain Code: SKINP
48" w x 36" h x 0.020" d	\$410
48" w x 48" h x 0.020" d	\$525
60" w x 48" h x 0.020" d	\$650
72" w x 48" h x 0.020" d	\$775
96" w x 48" h x 0.020" d	\$1,000
120" w x 48" h x 0.020" d	\$1,250

Custom sizes available and factory cut outs available. Please reach out to sales for a quote. Board can be reoriented in field. 144" maximum size limitation. If greater than 96" in length, height cannot be longer than 48" height.

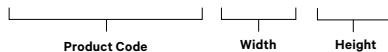
Wall Surfaces

## PRODUCT CODE

Code	Description
SKINP	Porcelain Skins - Writable Wall Surface Magnetic

## HOW TO ORDER

# SKINP 96 48



## TRIM

Code	Description	Price
TRIM120-1	Trim: aluminum, self adhesive, 120"L x 1/2"W x 0.06"D	\$120
TRIM120-2	Trim: aluminum, self adhesive, 120"L x 3/4"W x 0.06"D	\$155

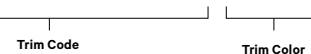
Field cut to desired size and join at seam for extended length.

## 1. TRIM COLOR

Code	Description	Price
CA	Clear Anodized aluminum finish	\$ 0
WH	White finish	\$ 0
BL	Black finish	\$ 0
CC	Custom Color finish	\$250

## HOW TO ORDER

# TRIM120-1 CA



## ACCESSORIES

For compatible accessories, please visit <https://egan.com/accessories/>.

# Versa Jot & Flex Whiteboard Sheets - Adhesive & Magnetic

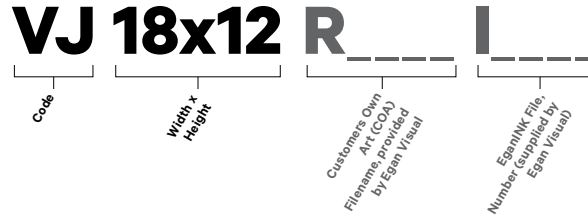
## VersaJot Whiteboard Sheets - Adhesive (Code VJ)

Designed for quick and easy installation, this amazing pressure sensitive adhesive, dry-erase product applies to most finished surfaces in seconds. Flex Sheets is offered in units precisely cut to Customer's Own Art patterns (COA). Flex Sheets pieces are custom-shape, precision CNC cut from a 54" wide roll on an 84" long bed, and are applied with high-adhesive glue. Volume pricing is available.

LFT	Price/LFT	EganINK/LFT
7-49	\$120	\$200
50-99	\$110	\$190
100+	\$100	\$180

- 7 linear feet is the minimum order charge
- Flex Sheets is cut from a 54" w roll and is offered on a linear foot basis. For an accurate quote, call Egan Inside Sales

### How To Order:



## Versa Flex Whiteboard Sheets Magnetic (Code: VM)

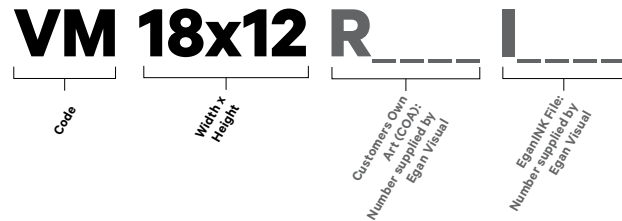
Flex Sheets is EVS applied to a magnet. It installs magnetically on any metal surface, and is offered in popular sizes or as custom shaped up to a maximum of 84" x 48". Flex Sheets is ideal for smaller locations where a metal surface can be upgraded for dry-erase use. EganINK™ adds branding and increases functionality.

Flex Sheet is cut from a 48" w roll and is offered on a linear foot basis. For an accurate quote, call Egan Inside Sales.

LFT	Price/LFT	EganINK/LFT
7-49	\$130	\$210
50-99	\$120	\$200
100+	\$100	\$200

- 7 linear feet is the minimum order charge
- Flex Sheet is cut from a 48" w roll and is offered on a linear foot basis. For an accurate quote, call Egan Inside Sales.

### How To Order:



## FLEX TRIM - EWVT



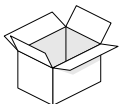
System Track is an ideal frame for Flex Sheets installations. Horizontal runs of System Track install top and bottom and are complimented by vertical trim on the sides to complete the frame. Egan also encourages properly installed third party framing to match the existing décor.

Code	Description	Price
EWVT54	60" vertical trim for use with EganSystem Upper Track options. Left/right pair. EganMetallic (EM). Field cut for 48" installations. An ideal frame for VersaPRO.	\$ 150

## EGANINK

Specify EganINK on Surfaces. Please reach to [our team](#) for an [EganINK](#) quote with your custom art file.

### What's in the box:



- Ships with two (2) assorted color Dry-Erase Markers and one (1) EganCloth. Contingent upon standard size cut sheets.

### Product notes:

- One knock-out shape provided at no charge. Additional knock-outs, add \$150 per sized pattern. Upcharge applies once per drawing when number of knock-outs are 2 or more on that same drawing
- Engineering charges of \$150 minimum will be applied to orders with incorrect file format
- Flex Sheets Adhesive (Code VJ) have maximum dimensions of 54" x 84" with a thickness of 0.050". Minimum corner radius 1/8". Egan guarantees +/- 1/16" accuracy overall.
- Flex Sheet Magnetic (Code: VM) have maximum dimension of 48" x 84" with a thickness of 0.075". Minimum corner radius 1/8". Egan guarantees ± 1/16" accuracy overall.
- Linear footage to be taken from gross material requirement for final pattern
- A self adhesive or magnetic marker tray (ACEOT) is available.
- Add 1" to both Width and Height when specifying EganINK square footage
- For irregular shapes, cutouts, or notches contact Egan Inside Sales

## GlassWrite™ Dry-Erase Glass Boards

### ■ GlassWrite | Clear & Frosted

All Egan GlassWrite product are made with high quality, low iron tempered safety glass with a 1/5" (5mm) thickness - stanchion mount only.

### ■ GlassWrite | Colors

Bring color to your workplace! Specify from over 1,000 standard colors at no upcharge - stanchion mount only.

### ■ GlassWrite MAG

All the benefits of GlassWrite Color with added functionality of magnet compatibility - cleat mount only.

### ■ GlassWrite LINXX

A modular whiteboard system that links cleat mounted GlassWrite boards to create a run of glassboards.

### ■ GlassWrite Curve

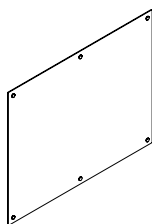
GlassWrite Curve is built with 4" rounded corners for a softer, smoother design.

### ■ GlassWrite MAG Boxcore

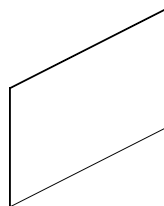
The Egan Boxcore frame provides a 3/4" (19mm) thin beveled aluminum frame that sits flush against the wall.

### ■ Envoy Slide & Display Glassboard

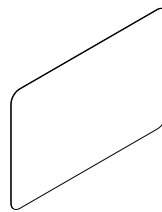
Envoy brings a high design element to your artwork, graphics, care board, wayfinding, or any other art you envision. Change your artwork easily, and without the use of tools - stanchion or cleat mount available.



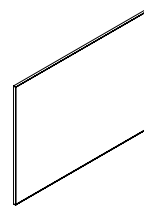
GlassWrite Frosted & Clear  
GlassWrite Colors  
(Stanchion Mounted)



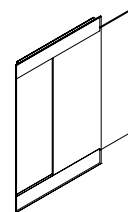
GlassWrite MAG  
GlassWrite Colors  
(Cleat Mounted)



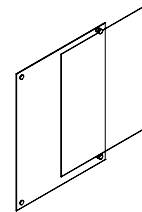
GlassWrite Curve



GlassWrite MAG  
Boxcore



Envoy  
- Cleat Mount



Envoy  
- Stanchion Mount

EGAN

GLASSWRITE

BUILT  
TO INSPIRE

# GlassWrite™ Dry-Erase Glass Boards

	Frosted Code: DGF	Clear Code: DGC	Colors Cleat Code: DG	Colors Stanchion Code: DG	Colors Curve Code: DGR	MAG Code: DGM	MAG Curve Code: DGMR	MAG Boxcore 19 Code: DGMB19	MAG Boxcore 29 Code: DGMB29	MAG Architrave Code: ARCG
48" w x 36" h	\$1,180	\$1,180	\$1,240	\$1,370	\$1,310	\$1,550	\$1,670	\$2,060	\$2,180	\$2,180
48" w x 48" h	\$1,330	\$1,330	\$1,510	\$1,760	\$1,690	\$1,840	\$2,010	\$2,520	\$2,640	\$2,640
60" w x 48" h	\$1,370	\$1,370	\$1,570	\$1,880	\$1,810	\$2,120	\$2,330	\$2,860	\$3,040	\$3,040
72" w x 48" h	\$1,700	\$1,700	\$1,980	\$2,240	\$2,270	\$2,520	\$2,780	\$3,260	\$3,440	\$3,440
96" w x 48" h	\$2,050	\$2,050	\$2,350	\$2,700	\$2,750	\$3,100	\$3,450	\$3,950	\$4,120	\$4,120
120" w x 48" h	\$2,430	\$2,430	\$3,060	\$3,420	\$3,550	\$3,850	\$4,290	-	-	-

Custom sizes available - Call Sales for quote.  
GlassWrite Shapes - Call for Spot Quote

## 1. PRODUCT CODE

Code	Description	Mount
DGF	GlassWrite Frosted	P
DGC	GlassWrite Clear	P
DG	GlassWrite Color	P & C
DGM	GlassWrite MAG	C
DGR	GlassWrite Curve	C
DGMR	GlassWrite MAG Curve	C
DGMB19	GlassWrite MAG Boxcore	C
DGMB29	GlassWrite MAG Boxcore	C
ARCG	GlassWrite Architrave	C

## 2. MOUNT

Per compatibility listed in section 1

Code	Description
P	Stanchion
C	Cleat

## 4. FRAME

BOXCORE FRAME COLORS

Code	Description	Price
CA	Clear Anodized	\$ 0
WH	White	\$150
BL	Black	\$150
CC	Custom Color	\$ 250

## 3. PAINT COLOR

\* Not applicable on DGC, & DGF  
\* Visit [egan.com](http://egan.com) or [pantone.com](http://pantone.com) for colors.

Code	Description	Price
WH	White	\$ 0
IP	Infinite Color Program	\$ 0
CC	Custom Color	\$ 250

ARCHITRAVE FRAME STAINS

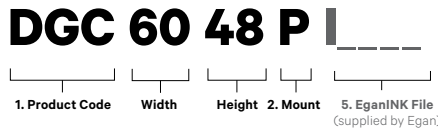
Code	Description	Price
HS	Haystack	\$ 0
WL	Woodland	\$ 0
DW	Driftwood	\$ 0
BB	Barnboard	\$ 0
CB	Carbon	\$ 0
NA	Natural	\$ 0
CS	Custom Stain	\$ 300

## EGANINK

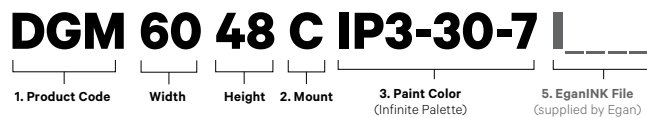
Specify EganINK on Glass. Please reach to [our team](#) for an [EganINK](#) quote with your custom art file.

## HOW TO ORDER

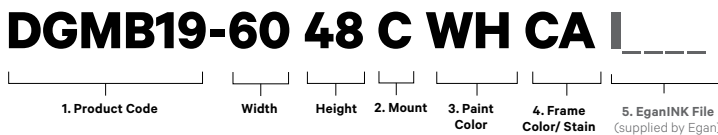
### DGC



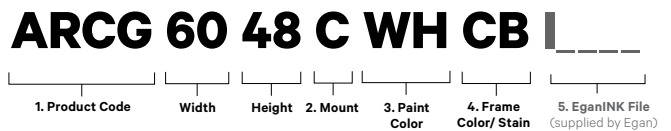
### DG | DGM



### DGMB



### ARCG



## WHAT'S IN THE BOX

Mount specified included, Two (2) assorted color Dry-Erase Markers, One (1) EganCloth, Magnetic GlassWrite boards ONLY Two (2) Neo-Magnets.

# GlassWrite™ Matte Glass Dry-Erase Board

GlassWrite products are also offered in a Matte finish. GlassWrite Matte Markerboard has a low gloss finish to reduce glare from ambient light.

	GlassWrite Clear Matte	GlassWrite Color Matte	GlassWrite MAG Matte (magnetic glass)	GlassWrite MAG Boxcore 19 Matte (magnetic glass)	GlassWrite Archtrave Matte (magnetic glass)
48" w x 36" h	\$1,370	\$1,420	\$1,750	\$2,260	\$2,370
48" w x 48" h	\$1,590	\$1,780	\$2,110	\$2,790	\$2,900
60" w x 48" h	\$1,710	\$1,900	\$2,450	\$3,190	\$3,370
72" w x 48" h	\$2,100	\$2,390	\$2,930	\$3,660	\$3,850
96" w x 48" h	\$2,580	\$2,890	\$3,630	\$4,480	\$4,650
120" w x 48" h	\$3,100	\$3,730	\$4,510	-	-

Custom sizes available - Call Sales for quote.

Glass Markerboards

## 1. PRODUCT CODE

Code	Description	Mount
DGC	GlassWrite Clear	Stanchion
DG	GlassWrite Color	Stanchion or Cleat
DGM	GlassWrite MAG	Cleat
DGMB19	GlassWrite MAG Boxcore 19	Cleat
DGMB29	GlassWrite MAG Boxcore 29	Cleat
ARCG	GlassWrite Archtrave	Cleat

## 2. MOUNT

Code	Description
P	Stanchion
C	Cleat

## 4. FRAME

BOXCORE FRAME COLORS

Code	Description	Price
CA	Clear Anodized	\$ 0
WH	White	\$150
BL	Black	\$150
CC	Custom Color	\$ 250

## 3. SURFACE

\*Visit [egan.com](http://egan.com) for Infinite Palette or [pantone.com](http://pantone.com) for colors.

Code	Description	Price
MAT	Matte Clear (DGC)	\$0
MATWH	Matte White	\$ 0
MATIP	Matte *Infinite Palette Color	\$ 0
MATCC	Matte Custom Color	\$ 250

ARCHITRAVE FRAME STAINS

Code	Description	Price
HS	Haystack	\$ 0
WL	Woodland	\$ 0
DW	Driftwood	\$ 0
BB	Barnboard	\$ 0
CB	Carbon	\$ 0
NA	Natural	\$ 0
CS	Custom Stain	\$ 300

## EGANINK

Specify EganINK on Glass. Please reach to [our team](#) for an [EganINK](#) quote with your custom art file.

## HOW TO ORDER

DG | DGM

**DGM 60 48 C MATIP3-30-7 I\_\_\_\_\_**



## WHAT'S IN THE BOX

Mount specified included, Two (2) assorted color Dry-Erase Markers, One (1) EganCloth, Magnetic GlassWrite boards ONLY Two (2) Neo-Magnets.

GlassWrite LINXX on next page

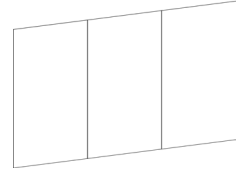
# GlassWrite LINXX

Create a massive professional presentation surface with outstanding functionality, and guaranteed-to-clean. Specify with Egan Ink to customize your GlassWrite LINXX boards.

Select a combination of GlassWrite, GlassWrite Colors (DG) or GlassWrite MAG (DGM), boards to create your infinite length run. GlassWrite LINXX is installed cleat mount with a hover appearance. The presentation surface is linked using a vertical ABS black plastic extrusion.

Code: ACDGLINK-KIT## - One each ACDGLINK-KIT 48" required per Linked Seam. List charge of \$70 per kit.

Standard Sizes: 48, 60, 72, 96", specify 2 each 60" lengths for 120" high boards. Link kit ACDGLINK-KIT adds 1/8" per seam to overall width.

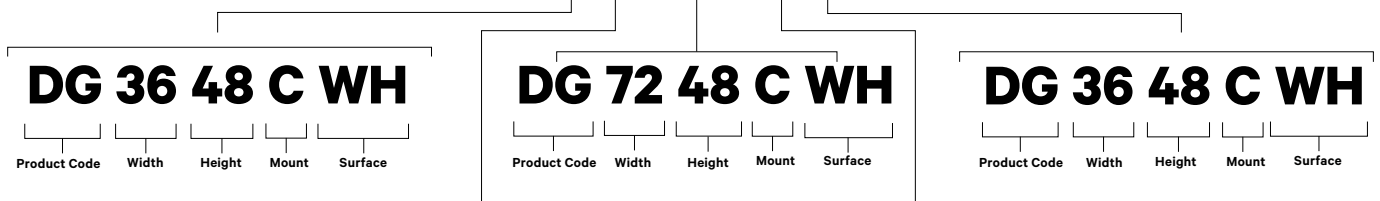


**HOW TO ORDER**

144-1/4"

**Specifying LINXX:**

2 each ACDGLINK-KIT48 required.  
List charge of \$70 per link.

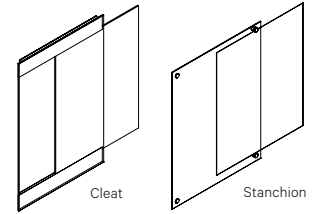


**ACDGLINK-KIT48    ACDGLINK-KIT48**



# Envoy Slide & Display Glassboard

A display and presentation board providing patient, guest or signage solution. GlassWrite Envoy is designed for continued and dynamic use with its dry-erase, guaranteed-to-clean, crystal clear glass covering. Leverage artwork, charts, images and information in lightweight boards, which can be easily switched without the use of tools. To change your artwork, simply slide your boards under the GlassWrite surface.



	Stanchion Mount Code: DGE	Cleat Mount Code: DGE	Optional Décor Insert*
24" w x 36" h (Decor Panel 23" w x 35" h x .023" d)	\$630	\$720	\$230*
27" w x 40" h (Decor Panel 26" w x 39" h x .023" d)	\$730	\$830	\$290*
36" w x 48" h (Decor Panel 35" w x 47" h x .023" d)	\$1,510	\$1,720	\$350*
40" w x 60" h (Decor Panel 39" w x 59" h x .023" d)	\$1,740	\$1,990	\$500*

Custom sizes available - Call Sales for quote.

\*Decor panel insert sold separately, add price in chart above to overall list price. EganInk printing Included with Decor Insert - Printed one side.

\*\*Optional EganInk on top and bottom (3" border) for cleat mount Envoy

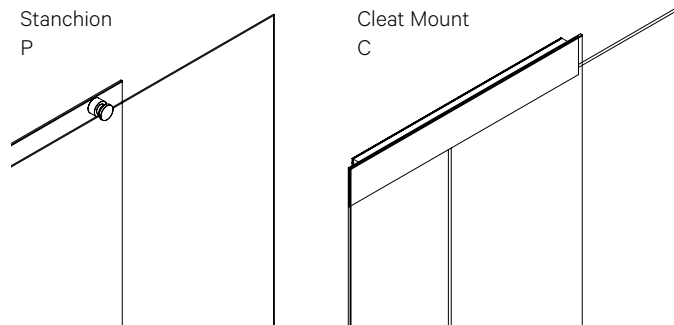
## 1. PRODUCT CODE

Code	Description
DGE	Envoy Slide & Display Glassboard

## 2. MOUNT

Code	Description
P	Stanchion
C	Cleat

Top and bottom of cleat mount is NeoMagnet compatible.



## 3. EGANINK

Specify EganInk on Glass. Please reach to [our team](#) for an [EganInk](#) quote with your custom art file.

## HOW TO ORDER

**DGE 60 48 P I**

1. Product Code      Width      Height      2. Mount      3. EganInk File (supplied by Egan)

## WHAT'S IN THE BOX

Mount specified included  
Two (2) assorted color Dry-Erase Markers  
One (1) EganCloth

## EganAero Magnetic Glass Dry-Erase Boards

### ■ EganAero Hover

EganAero Hover is an ultra-thin high-tech glass. It is installed with a cleat mount, giving the effect of it floating off the wall. Neo-Magnet compatible.

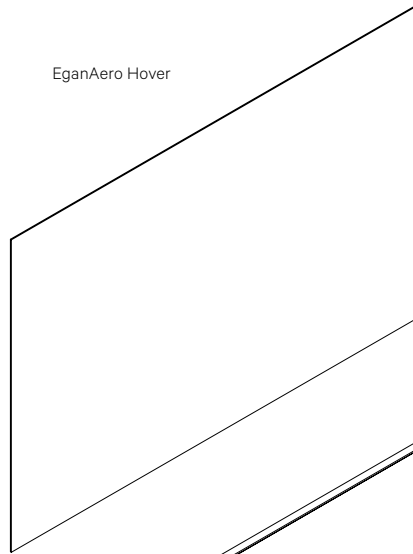
### ■ EganAero Boxcore

The Egan Boxcore frame provides a 19mm 3/4" (19mm) thin bezeled aluminum frame that sits flush against the wall. Neo-Magnet compatible.

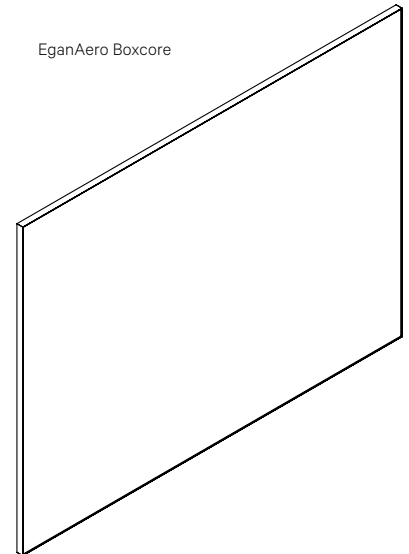
### ■ EganAero Architrave

Enhance your frame with Architrave, a wood frame available in 6 different stain options. Neo-Magnet compatible.

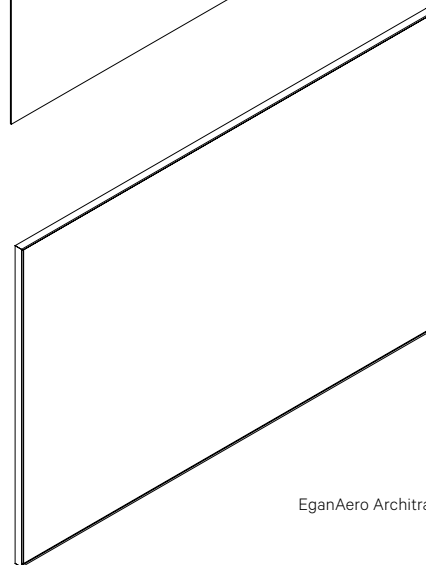
EganAero Hover



EganAero Boxcore



EganAero Architrave



EGANAERO

**BUILT  
TO INSPIRE**

# EganAero Magnetic Glass Dry-erase Boards

	Aero Hover Code: EAH (frameless)	Aero Boxcore 19 Code: EAB19	Aero Boxcore 29 Code: EAB29	Aero Architrave Code: ARCEA
48" w x 36" h	\$2,110	\$2,410	\$2,910	\$2,530
48" w x 48" h	\$2,640	\$2,960	\$3,560	\$3,080
60" w x 48" h	\$2,750	\$ 3,320	\$4,080	\$3,500
72" w x 48" h	\$3,210	\$3,790	\$4,650	\$3,980
96" w x 48" h	Inquire			

## 1. PRODUCT CODE

Code	Description
<b>EAH</b>	EganAero Hover - Frameless, magnetic Dry-Erase Glassboard
<b>EAB19</b>	EganAero Boxcore - 19mm Deep Boxcore Frame, Magnetic Dry-Erase Glassboard
<b>EAB 29</b>	EganAero Boxcore - 29mm Deep Boxcore Frame, Magnetic Dry-Erase Glassboard
<b>ARCEA</b>	EganAero Architrave - Architrave Wood Frame, Magnetic Dry-Erase Glassboard

## 2. SURFACE

BACK PAINT FINISH OPTION

Code	Description	Price
<b>WH</b>	White	\$0
<b>IP</b>	Infinite Color Program	\$0
<b>CC</b>	Custom Color	\$250

Visit [egan.com](http://egan.com) or [pantone.com](http://pantone.com) for colors. Backpainted glass only.

## 3. FRAME

Frame options include:  
 1. Frameless (Hover)  
 2. Hardwood Frame (Architrave)  
 3. Ultra Thin Bezel Aluminum (Boxcore 19)

ARCHITRAVE FRAME STAINS

Code	Description	Price
<b>HS</b>	Haystack	\$ 0
<b>WL</b>	Woodland	\$ 0
<b>DW</b>	Driftwood	\$ 0
<b>BB</b>	Barnboard	\$ 0
<b>CB</b>	Carbon	\$ 0
<b>NA</b>	Natural	\$ 0
<b>CS</b>	Custom Stain	\$ 300

BOXCORE FRAME COLORS

Code	Description	Price
<b>CA</b>	Clear Anodized	\$ 0
<b>WH</b>	White	\$ 150
<b>BL</b>	Black	\$ 150
<b>CC</b>	Custom Color	\$ 250

## 4. EGANINK

Specify EganINK on Glass. Please reach to [our team](#) for an [EganINK](#) quote with your custom art file.

## HOW TO ORDER

**Aero Hover**

**EAH 60 48 WH I \_\_\_\_\_**

1. Product Code    Width    Height    2. Surface    4. EganINK File (supplied by Egan)

**Aero Boxcore & Architrave**

**EAB19 60 48 WH CA I \_\_\_\_\_**

1. Product Code    Width    Height    2. Surface    3. Frame    4. EganINK File (supplied by Egan)

## WHAT'S IN THE BOX

- Mounting brackets as specified
- Two (2) assorted color Dry-Erase Markers
- Two (2) NeoMagnets
- One (1) EganCloth

Glass Markerboards

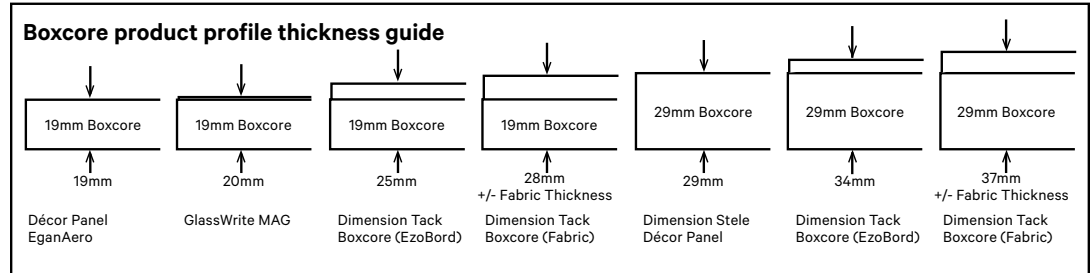
## Boxcore Wall-Mounted Glassboards

### ■ Boxcore

Egan Boxcore 19 provides robust edges and clean contemporary esthetics. The Boxcore frame is clear anodized aluminum and sits flush against the wall, with the presentation surface 3/4" (19mm) proud from the wall. The frame features a low profile when viewed from the front. Integrated wallmounts mean the board can be mounted in a landscape or portrait orientation, switching between them easily. Available with EVS, Glass and Tack infills.

### ■ Boxcore 29

Boxcore 29 provides all the benefits of Boxcore 19 but has a bolder design esthetic with a thicker frame (29mm or 1 1/8"), giving the board a deeper profile, sitting more proud off the wall.



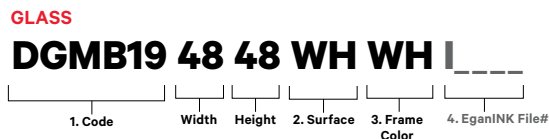
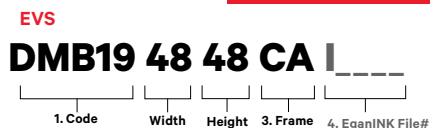
**BUILT  
TO INSPIRE**

# Boxcore Dry-Erase Glassboard

## HOW TO ORDER

### 1. PRODUCT CODE\*

Code	Description
<b>DGMB19</b>	Boxcore GlassWrite magnetic dry-erase glassboard
<b>EAB19</b>	Boxcore EganAero magnetic dry-erase glassboard
<b>DMB19</b>	Boxcore Whiteboard with EVS magnetic dry-erase
<b>DTB19</b>	Boxcore Tackboard -



### GLASSBOARDS

	GlassWrite MAG Code: DGMB19	EganAero MAG Code: EAB19
48" w x 36" h x 3/4" d	\$2,060	\$2,410
48" w x 48" h x 3/4" d	\$2,520	\$2,960
60" w x 48" h x 3/4" d	\$2,860	\$ 3,320
72" w x 48" h x 3/4" d	\$3,260	\$3,790
96" w x 48" h x 3/4" d	\$3,950	-
120" w x 48" h x 3/4" d	-	-
Projection Compatible		
77" w x 48" h   16:10	-	-
82" w x 51" h   16:9	-	-

### COMPARE OTHER SURFACE OPTIONS

EVS Code: DMB19	Tack EzoBord Code: DTB19	Tack Standard Fabric Code: DTB19	Tack Grade A Fabric Code: DTB19
\$910	\$910	\$1 030	\$1,150
\$1,050	\$1,050	\$1 170	\$1,290
\$1,130	\$1,130	\$1 250	\$1,370
\$1,220	\$1,220	\$1 390	\$1,530
\$1,710	\$1,710	\$1 880	\$2,020
\$2,120	-	-	-
\$1,320	-	-	-
\$1,820	-	-	-

Boards are single sided wallmounted  
 Custom sizes available - Select next larger size and add \$250 to list / item  
 COM (customer's own material) Upcharge: \$150 List handling fee. Customer required to purchase fabric

Glass Markerboards

### 2. SURFACE

Glass: GlassWrite & EganAero	
<b>WH</b>	White
<b>IP</b>	Infinite Color Program
<b>CC</b>	Custom Color
Visit <a href="http://egan.com">egan.com</a> or <a href="http://pantone.com">pantone.com</a> for colors. Backpainted glass only.	
Tack	
<b>F</b>	Fabric
<b>T</b>	EzoBord /PET
See <a href="#">page 12</a> for Egan Standard Fabric & a full list of available Grade A fabrics	

### 3. FRAME COLOR

Code	Description	Price
<b>CA</b>	Clear Anodized	\$ 0
<b>WH</b>	White	\$ 0
<b>BL</b>	Black	\$ 0
<b>CC</b>	Custom Color	\$ 250

### 4. EGANINK

Specify EganINK on EVS or Glass.  
 Please reach to [our team](#) for an [EganINK](#) quote with your custom art file.

### WHAT'S IN THE BOX

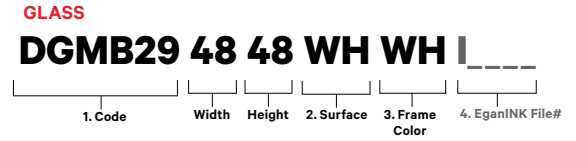
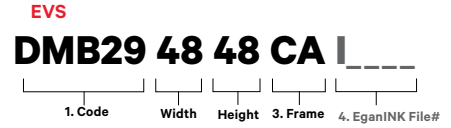
Mounting cleats included  
 For dry-erase surfaces, two (2) assorted color Dry-Erase Markers, and one (1) EganCloth

# Boxcore Dry-Erase Glassboard

## 1. PRODUCT CODE\*

## HOW TO ORDER

Code	Description
<b>DGMB29</b>	Boxcore GlassWrite magnetic dry-erase glassboard
<b>EAB29</b>	Boxcore EganAero magnetic dry-erase glassboard
<b>DMB29</b>	Boxcore Whiteboard with EVS magnetic dry-erase
<b>DTB29</b>	Boxcore Tackboard -



## GLASSBOARDS

## COMPARE OTHER SURFACE OPTIONS

	GlassWrite MAG Code: DGMB29	EganAero MAG Code: EAB29
48"w x 36"h x 3/4"d	\$2,180	\$2,910
48"w x 48"h x 3/4"d	\$2,640	\$3,560
60"w x 48"h x 3/4"d	\$3,040	\$4,080
72"w x 48"h x 3/4"d	\$3,440	\$4,650
96"w x 48"h x 3/4"d	\$4,120	-
120"w x 48"h x 3/4"d	-	-
<b>Projection Compatible</b>		
77"w x 48"h   16:10	-	-
82"w x 51"h   16:9	-	-

EVS Code: DMB29	Tack EzoBord Code: DTB29	Tack Standard Fabric Code: DTB29	Tack Grade A Fabric Code: DTB29
\$1,030	\$1,030	\$1,160	\$1,280
\$1,170	\$1,170	\$1,300	\$1,420
\$1,320	\$1,320	\$1,450	\$1,570
\$1,410	\$1,410	\$1,600	\$1,730
\$1,880	\$1,880	\$2,070	\$2,200
\$2,330	-	-	-
<b>Projection Compatible</b>			
\$1,810	-	-	-
\$2,030	-	-	-

Glass Markerboards

Boards are single sided wallmounted  
 Custom sizes available - Select next larger size and add \$250 to list / item  
 COM (customer's own material) Upcharge: \$150 List handling fee. Customer required to purchase fabric

## 2. SURFACE

Glass: GlassWrite	
<b>WH</b>	White
<b>IP</b>	Infinite Color Program
<b>CC</b>	Custom Color
Visit <a href="http://egan.com">egan.com</a> or <a href="http://pantone.com">pantone.com</a> for colors. Backpainted glass only.	

Tack	
<b>F</b>	Fabric
<b>T</b>	EzoBord /PET
See <a href="#">page 12</a> for a full list of EzoBord colors, standard fabrics, and Grade A fabrics.	

## 3. FRAME COLOR

Code	Description	Price
<b>CA</b>	Clear Anodized	\$ 0
<b>WH</b>	White	\$ 0
<b>BL</b>	Black	\$ 0
<b>CC</b>	Custom Color	\$ 250

## 4. EGANINK

Specify EganINK on EVS or Glass.  
 Please reach to [our team](#) for an [EganINK](#) quote with your custom art file.

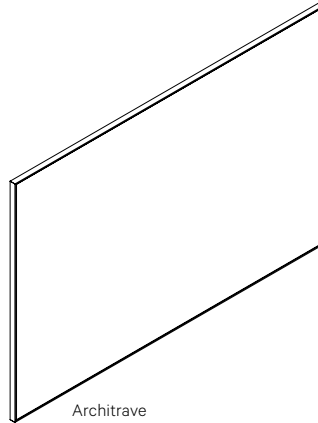
## WHAT'S IN THE BOX

Mounting cleats included  
 For dry-erase surfaces, two (2) assorted color Dry-Erase Markers, and one (1) EganCloth

## Architrave Glassboards

### ■ Architrave Wall-Mounted Glassboards

Specify Egan GlassWrite into any Architrave frame. Available in over 1,050 colors at no extra cost and neo-magnet compatible. Visit [Egan.com/infinite-color-palette](https://Egan.com/infinite-color-palette) to explore all 1,050 colors.



# ARCHITRAVE

**BUILT  
TO INSPIRE**

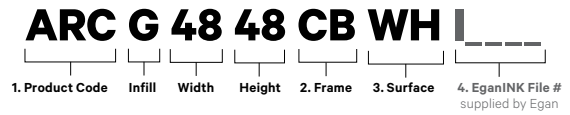


# Architrave Wall-Mounted Glassboards

## 1. PRODUCT CODE

Code	Description
<b>ARCG</b>	Glass: GlassWriteMAG
<b>ARCEA</b>	Glass: EganAero
<b>ARCE</b>	EVS Whiteboard
<b>ARCT</b>	EzoBord /PET
<b>ARCF</b>	Standard Fabric

## HOW TO ORDER



## GLASSBOARDS

	GlassWrite MAG Code: ARCG	EganAero MAG Code: ARCEA
48" w x 36" h x 1 1/8" d	\$2,180	\$2,530
48" w x 48" h x 1 1/8" d	\$2,640	\$3,080
60" w x 48" h x 1 1/8" d	\$3,040	\$3,500
72" w x 48" h x 1 1/8" d	\$3,440	\$3,980
96" w x 48" h x 1 1/8" d	\$4,120	-
<b>Projection Compatible</b>		
77" w x 48" h   16:10	-	-
82" w x 51" h   16:9	-	-

## OTHER SURFACE OPTIONS

EVS Whiteboard Code: ARCE	Tack EzoBord Code: ARCT	Tack Standard Fabric Code: ARCF	Tack Grade A Fabric Code: ARCF
\$1,030	\$1,030	\$1,160	\$1,280
\$1,170	\$1,170	\$1,300	\$1,420
\$1,320	\$1,320	\$1,450	\$1,570
\$1,410	\$1,410	\$1,600	\$1,730
\$1,880	\$1,880	\$2,070	\$2,200
<b>Projection Compatible</b>			
\$1,810	-	-	-
\$2,030	-	-	-

Custom sizes available - Select next larger size and add \$250 to list / item  
COM (customer's own material) Upcharge: \$150 List handling fee. Customer required to purchase fabric

## 2. FRAME STAINS

Code	Description	Price
<b>HS</b>	Haystack	\$ 0
<b>WL</b>	Woodland	\$ 0
<b>DW</b>	Driftwood	\$ 0
<b>BB</b>	Barnboard	\$ 0
<b>CB</b>	Carbon	\$ 0
<b>NA</b>	Natural	\$ 0
<b>CS</b>	Custom Stain	\$ 300

## 3. SURFACE

Glass: GlassWrite & EganAero		Price
<b>WH</b>	White	\$0
<b>IP</b>	Infinite Color Program	\$0
<b>CC</b>	Custom Color	\$250
Visit <a href="http://egan.com">egan.com</a> or <a href="http://pantone.com">pantone.com</a> for colors. Backpainted glass only.		

Tack	
<b>F</b>	Fabric
<b>T</b>	EzoBord /PET
See <a href="#">page 12</a> for a full list of EzoBord colors, standard fabrics, and Grade A fabrics.	

## 4. EGANINK

Specify EganINK on EVS or Glass.  
Please reach to [our team](#) for an [EganINK](#) quote with your custom art file.

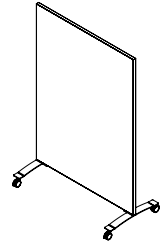
## WHAT'S IN THE BOX

Mounting cleats included.  
For dry-erase surfaces, two (2) assorted color Dry-Erase Markers and one (1) EganCloth

## Mobile Boards

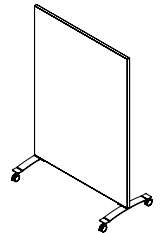
### ■ Boxcore Mobile Board

The Boxcore Mobile utilizes the unique Egan Boxcore™ design for a high degree of stability when moving and when writing. It is distinguished by an ultra-thin bezel, and aluminum frame in 1 1/8" (29mm) depth. The Boxcore Mobile has a new frame to base connection, for clean uninterrupted lines. This new connection provides additional functionality by linking together multiple Boxcore Mobiles on a linear plane with only a 1/4 gap between mobiles. Available with EVS, Glass and Tackable infills.



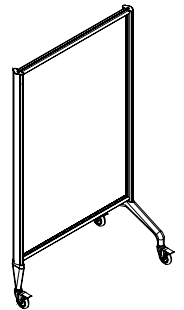
### ■ Architrave Mobile Board

Architrave products are defined by their sturdy, wood oak Boxcore 1 1/8" (29mm) frame. Features of the Architrave family consist of thin bezel edge of 1/4" (6mm), a robust construction with a clean external appearance and no extraneous materials. Specify Architrave mobile from a range of infill options, such as EVS, GlassWrite, EganINK, Tackable fabric or EzoBord/Polyethylene Terephthalate (PET).



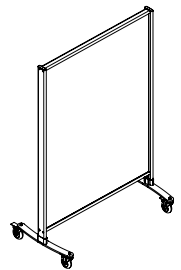
### ■ V-Series Mobile Board

V-Series Mobiles are available with Four-Point Base and Three-Point Bases. The V-Series Four-Point Base Mobiles are designed to link or stand alone, whereas, the Three-Point Base Mobiles are designed to work with Four-Point base models to create linked partitions that can be positioned at almost any angle. These Mobiles feature guaranteed-to-clean EVS™ dry-erase surface that accepts magnetic accessories. Three-Point Base models are not recommended for non-linked applications.



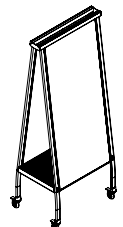
### ■ Lite Freestanding Mobile Partition

Lite Freestanding Mobiles are incredibly lightweight and easy to move, base options include locking casters or a low profile bases to suit your application. The Lite Freestanding Mobile is also available as a Screen Door - a weighted trip-free base with exceptional stability and rotation through 360°. A 90° notch in the base provides compatibility with any wall or partition system. The no-lock front caster rolls smoothly and ensures door will fold back to permit free traffic flow. Lite Freestanding Mobiles can be specified with an EVS or Tackable infill per side.



### ■ A-Frame Mobile Board

A-Frame VersaMobiles offer two-sided high-performance EVS™ dry-erase surface. Specify any combination of EVS™ magnetic surface or Egan tackable fabric. A fixed track at the top of the A-Frame accommodates lightweight VersaBoards or EganSystem Track boards. Additional VersaBoards or 202 EganSystem Boards sold separately. Storage for up to five boards is available inside the spacious A-Frame shelf cavity.



# Boxcore Mobile Board

The Boxcore Mobile utilizes the unique Egan Boxcore™ design for a high degree of stability when moving and when writing. It is distinguished by an ultra-thin bezel, and an aluminum frame in 1 1/8" (29mm) depth. The Boxcore Mobile has a new frame to base connection, for clean uninterrupted lines. This new connection provides additional functionality by linking together multiple Boxcore Mobiles on a linear plane with only a 1/4 gap between mobiles. Available with EVS, Glass and Tackable infills. Mobile bases come with easy swivel and locking casters.

Boxcore Mobiles can be specified with a different infill per side. Pricing reflects costs for 1 side only. Choose an infill for each side and add the price together for the total cost. If the infill is the same for both sides, simply double the cost in the chart below.

## Table Shows Pricing Per Side of Board

Dimensions	EVS Whiteboard/ per side	Tack EzoBord/ per side	Tack Standard Fabric/ per side	Tack Grade A Fabric/ per side
36"w x 54"h x 23 1/2"d	\$1,010	\$1,070	\$1,130	\$1,210
48"w x 54"h x 23 1/2"d	\$1,160	\$1,220	\$1,280	\$1,360
36"w x 60"h x 23 1/2"d	\$1,050	\$1,110	\$1,170	\$1,240
48"w x 60"h x 23 1/2"d	\$1,190	\$1,250	\$1,310	\$1,390
36"w x 72"h x 23 1/2"d	\$1,230	\$1,290	\$1,350	\$1,430
48"w x 72"h x 23 1/2"d	\$1,250	\$1,310	\$1,370	\$1,450

Table indicates price per side of board. ie. Cost of single side EVS is \$1,010, and 2 sided EVS is \$2,020  
 Custom sizes available - Please reach out to sales for a quote.  
 COM (customer's own material) Upcharge: \$150 List handling fee. Customer required to purchase fabric

### 1. PRODUCT CODE

Code	Description
VBD	EVS, Fabric, or EzoBord

### 2. SURFACE

Ensure surface for side 1 and side 2 is selected.

Code	Description
E	EVS Whiteboard
F	Fabric
T	EzoBord/PET

See [page 12](#) for Egan Standard Fabric & a full list of available Grade A fabrics

### 3. FRAME COLOR

Code	Description	Price
CA	Clear Anodized	\$ 0
WH	White	\$ 0
BL	Black	\$ 0
CC	Custom Color	\$ 250

### EGANINK

Specify EganINK on EVS. Please reach to [our team](#) for an [EganINK](#) quote with your custom art file.

### 4. BASE COLOR

Code	Description	Price
EM	EganMetallic	\$ 0
WH	White	\$ 0
BL	Black	\$ 0
CC-MATCH	Custom color to match custom color frame	\$ 0
CC	Custom Color (different from frame)	\$ 250

### HOW TO ORDER

**VBD 36 60 E F WH WH I**

### WHAT'S IN THE BOX

For dry-erase surfaces, two (2) assorted color Dry-Erase Markers, and one (1) EganCloth

# Boxcore Mobile Glassboard

The Boxcore Mobile utilizes the unique Egan Boxcore™ design for a high degree of stability when moving and when writing. It is distinguished by an ultra-thin bezel, and aluminum frame in 1 1/8" (29mm) depth. The Boxcore Mobile has a frame to base connection, for clean uninterrupted lines. Mobile bases come with easy swivel and locking casters. The Boxcore Mobile GlassWrite is built from a guaranteed-to-clean, crystal clear, low iron tempered safety glass for high clarity of surface. GlassWrite is neo-magent compatible. Select a Pantone color as part of our Egan Infinite Palette program at no additional cost - providing the largest standard glass color offering.

Dimensions	GlassWrite MAG
36"w x 54"h x 23 1/2"d	\$3,700
48"w x 54"h x 23 1/2"d	\$4,590
36"w x 60"h x 23 1/2"d	\$3,890
48"w x 60"h x 23 1/2"d	\$4,820
36"w x 72"h x 23 1/2"d	\$4,560
48"w x 72"h x 23 1/2"d	\$5,470

**GlassWrite MAG cannot be specified with other infills. Use product code VBM to specify two side glass mobile.**  
 Custom sizes available - Please reach out to sales for a quote.

Mobile Boards

## 1. PRODUCT CODE

Code	Description
VBM	Boxcore Mobile Glassboard

## 2. GLASS COLOR

Code	Description	Price
WH	White	\$ 0
IP	Infinite Color Program	\$ 0
CC	Custom Color	\$ 250

Visit [egan.com](http://egan.com) or [pantone.com](http://pantone.com) for colors.

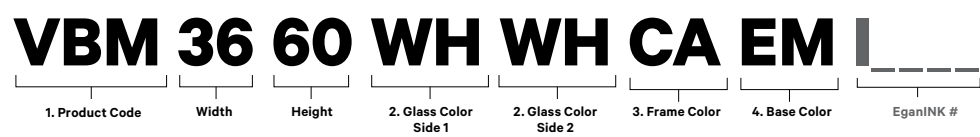
## 3. FRAME COLOR

Code	Description	Price
CA	Clear Anodized	\$ 0
WH	White	\$ 0
BL	Black	\$ 0
CC	Custom Color	\$ 250

## 4. BASE COLOR

Code	Description	Price
EM	EganMetallic	\$ 0
WH	White	\$ 0
BL	Black	\$ 0
CC-MATCH	Custom color to match custom color frame	\$ 0
CC	Custom Color	\$ 250

## HOW TO ORDER



## EGANINK

Specify EganINK on Glass. Please reach to [our team](#) for an [EganINK](#) quote with your custom art file.

## WHAT'S IN THE BOX

For dry-erase surfaces, two (2) assorted color Dry-Erase Markers, and one (1) EganCloth

# Architrave Mobile Board

Architrave products are defined by their sturdy, wood oak Boxcore 1 1/8" (29mm) frame. Features of the Architrave family consist of thin bezel edge of 1/4" (6mm), a robust construction with a clean external appearance and no extraneous materials. Specify your Architrave mobile from a range of infill options, such as EVS, GlassWrite, EganINK, Tackable fabric (EganFabric or maharam), or EzoBord. Mobile bases come with easy swivel and locking casters.

Architrave Mobiles can be specified with a different infill per side. Pricing reflects costs for 1 side only. Choose an infill for each side and add the price together for the total cost. If the infill is the same for both sides, simply double the cost in the chart below.

## Table Shows Pricing Per Side of Board

Dimensions	EVS/ per side	Tack EzoBord/ per side	Tack Standard Fabric/ per side	Tack Grade A Fabric/ per side
36"w x 54"h x 23 1/2"d	\$1,010	\$1,070	\$1,130	\$1,210
48"w x 54"h x 23 1/2"d	\$1,160	\$1,220	\$1,280	\$1,360
36"w x 60"h x 23 1/2"d	\$1,050	\$1,110	\$1,170	\$1,250
48"w x 60"h x 23 1/2"d	\$1,180	\$1,240	\$1,300	\$1,380
36"w x 72"h x 23 1/2"d	\$1,230	\$1,290	\$1,350	\$1,430
48"w x 72"h x 23 1/2"d	\$1,250	\$1,310	\$1,370	\$1,450

Table indicates price per side of board. ie. Cost of single side EVS is \$1,010, and 2 sided EVS is \$2,020  
 Custom sizes available - Please reach out to sales for a quote.  
 COM (customer's own material) Upcharge: \$150 List handling fee. Customer required to purchase fabric

Mobile Boards

### 1. PRODUCT CODE

Code	Description
ARCM	EVS, EzoBord or Fabric

### 2. ARCM SURFACE

Code	Description
E	EVS
T	EzoBord/PET
F	Fabric
See <a href="#">page 12</a> for Egan Standard Fabric & a full list of available Grade A fabrics	

### 3. FRAME STAINS

Code	Description	Price
HS	Haystack	\$ 0
WL	Woodland	\$ 0
DW	Driftwood	\$ 0
BB	Barnboard	\$ 0
CB	Carbon	\$ 0
NA	Natural	\$ 0
CS	Custom Stain	\$ 300

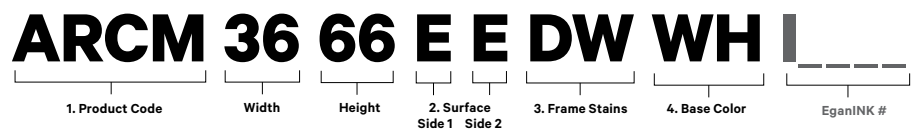
### 4. BASE COLOR

Code	Description	Price
EM	EganMetallic	\$ 0
WH	White	\$ 0
BL	Black	\$ 0
CC	Custom Color	\$ 250

### EGANINK

Specify EganINK on EVS. Please reach to [our team](#) for an [EganINK](#) quote with your custom art file.

### HOW TO ORDER



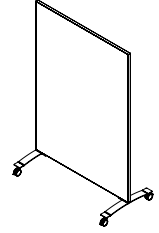
### WHAT'S IN THE BOX

For dry-erase surfaces, two (2) assorted color Dry-Erase Markers, and one (1) EganCloth

# Architrave Mobile Glassboard

Architrave products are defined by their sturdy, wood oak Boxcore 1 1/8" (29mm) frame. Features of the Architrave family consist of thin bezel edge of 1/4" (6mm), a robust construction with a clean external appearance and no extraneous materials. Architrave mobile can be specified with GlassWrite infill on both sides. Mobile bases come with easy swivel and locking casters.

Egan GlassWrite is built from a guaranteed-to-clean, crystal clear, low iron tempered safety glass. GlassWrite surfaces are dry erase, guaranteed-to-clean board, neo-magnet compatible, and with color from Egan's infinite color program or high-resolution printing with EganINK.



Mobile Boards

Dimensions	GlassWrite MAG
36"w x 54"h x 23 1/2"d	\$3,700
48"w x 54"h x 23 1/2"d	\$4,590
36"w x 60"h x 23 1/2"d	\$3,890
48"w x 60"h x 23 1/2"d	\$4,820
36"w x 72"h x 23 1/2"d	\$4,560
48"w x 72"h x 23 1/2"d	\$5,470

**GlassWrite MAG cannot be specified with other infills.**  
 Custom sizes available - Please reach out to sales for a quote.

### 1. PRODUCT CODE / SURFACE

Code	Description
<b>ARCMGG</b>	Architrave Mobile Glassboard

### 2. GLASS COLOR

Select per side (ie. Side 1: WH / Side 2: IP1\_5\_7)

Code	Description	Price
<b>WH</b>	White	\$ 0
<b>IP</b>	Infinite Color Program	\$ 0
<b>CC</b>	Custom Color	\$ 250

Visit [egan.com](http://egan.com) or [pantone.com](http://pantone.com) for colors.

### 3. FRAME STAINS

Code	Description	Price
<b>HS</b>	Haystack	\$ 0
<b>WL</b>	Woodland	\$ 0
<b>DW</b>	Driftwood	\$ 0
<b>BB</b>	Barnboard	\$ 0
<b>CB</b>	Carbon	\$ 0
<b>NA</b>	Natural	\$ 0
<b>CS</b>	Custom Stain	\$ 300

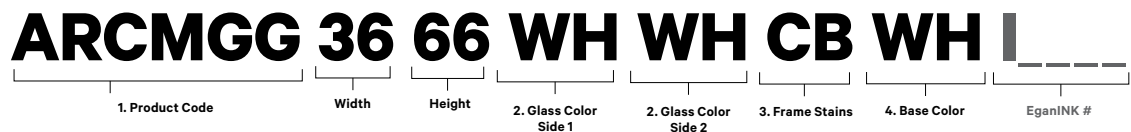
### 4. BASE COLOR

Code	Description	Price
<b>EM</b>	EganMetallic	\$ 0
<b>WH</b>	White	\$ 0
<b>BL</b>	Black	\$ 0
<b>CC</b>	Custom Color	\$ 250

### EGANINK

Specify EganINK on Glass. Please reach to [our team](#) for an [EganINK](#) quote with your custom art file.

### HOW TO ORDER



### WHAT'S IN THE BOX

Two (2) assorted color Dry-Erase Markers, and one (1) EganCloth

# V-Series Mobile Board | Single Panel

## Table Shows Pricing Per Side of Board

Dimensions	4 Point Base - VSF				3 Point Base - VST			
	EVS/ per side	Standard Fabric/per side	Grade A Fabric/ per side	Cork/ per side	EVS/ per side	Standard Fabric/ per side	Grade A Fabric/ per side	Cork/ per side
36" w x 54" h x 20" d	\$840	\$940	\$1,080	\$1,080	\$800	\$900	\$1,030	\$1,030
48" w x 54" h x 20" d	\$880	\$980	\$1,120	\$1,120	\$860	\$960	\$1,100	\$1,100
36" w x 60" h x 20" d	\$910	\$1,010	\$1,150	\$1,150	\$820	\$920	\$1,060	\$1,060
48" w x 60" h x 20" d	\$960	\$1,060	\$1,200	\$1,200	\$900	\$1,000	\$1,140	\$1,140
36" w x 72" h x 20" d	\$950	\$1,050	\$1,190	\$1,190	-	-	-	-
48" w x 72" h x 20" d	\$1,010	\$1,110	\$1,250	\$1,250	-	-	-	-

Table indicates price per side of mobile. ie. Cost of single side EVS is \$840, and 2 sided EVS is \$1,680

Custom sizes available - Please reach out to sales for a quote

\*Custom Fabric Upcharge: \$150 List handling fee. Customer required to purchase fabric - COM (customer's own material)

### 1. PRODUCT CODE

Code	Description
VSF	V-Series 4pt
VST	V-Series 3pt

### 2. SURFACE

Code	Description
E	EVS
F	Fabric
C	Cork
For Egan Standard Fabric & a full list of available Grade A fabrics see <a href="#">page 12</a>	

### 3. FRAME

Code	Description	Price
CA	Clear Anodized	\$ 0
CC	Custom Color	\$ 250

### 4. BASE

Code	Description	Price
EM	EganMetallic	\$ 0
CC	Custom Color	\$ 250

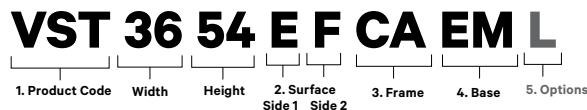
### 5. LINKING OPTION

Code	Description	Price
L	Link Option. Factory installed. Includes one Link Connector and two Vertical Bumpers	\$ 100

### EGANINK

Specify EganINK on EVS. Please reach to [our team](#) for an [EganINK](#) quote with your custom art file.

### HOW TO ORDER



### WHAT'S IN THE BOX

Two (2) assorted color Dry-Erase Markers  
One (1) EganCloth



# V-Series Mobile Board | Split Panel

Mobile Boards

Dimensions	4 Point Base Mobile - VCF				3 Point Base Mobile - VCT			
	EVS/ per side	Standard Fabric/per side	Grade A Fabric/ per side	Cork/ per side	EVS/ per side	Standard Fabric/per side	Grade A Fabric/per side	Cork/per side
36" w x 54" h x 20" d	\$860	\$960	\$1,100	\$1,100	\$830	\$930	\$1,070	\$1,070
48" w x 54" h x 20" d	\$910	\$1,010	\$1,150	\$1,150	\$880	\$980	\$1,120	\$1,120
36" w x 60" h x 20" d	\$930	\$1,030	\$1,170	\$1,170	\$900	\$1,000	\$1,140	\$1,140
48" w x 60" h x 20" d	\$990	\$1,090	\$1,230	\$1,230	\$960	\$1,060	\$1,200	\$1,200
36" w x 72" h x 20" d	\$980	\$1,080	\$1,220	\$1,220	-	-	-	-
48" w x 72" h x 20" d	\$1,030	\$1,130	\$1,270	\$1,270	-	-	-	-

Projection Preferred (Code: VPF)	
60" w x 72" h x 20" d	\$2,750

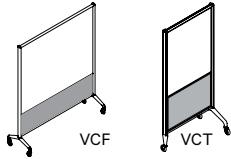


Table indicates price per side of mobile. ie. Cost of single side EVS is \$860, and 2 sided EVS is \$1,720  
 Custom sizes available - Please reach out to sales for a quote.  
 COM (customer's own material) Upcharge: \$150 List handling fee. Customer required to purchase fabric  
 Lower Panel Height: 18 11/16"

V-Series Projection (VPF) - available with EVS on both sides. Upper Panel EVS surface - 58 1/2" w x 47 3/4" h and Lower Panel perforated metal (EM) 58 1/2" w x 12 3/4" h

WHAT'S IN THE BOX: Two (2) assorted color Dry-Erase Markers, and One (1) EganCloth

## 1. PRODUCT CODE

Code	Description
VCF	V-Series 4pt Split Panel
VCT	V-Series 3pt Split Panel
VPF	V-Series 4pt Projection Mobile

## 2. SURFACE

Indicate Per Side

Code	Description
E	EVS Whiteboard
F	Fabric
C	Cork

For Egan Standard Fabric & a full list of available Grade A fabrics, see [page 12](#)

## 3. FRAME

Code	Description	Price
CA	Clear Anodized	\$ 0
CC	Custom Color	\$ 250

## 4. BASE

Code	Description	Price
EM	EganMetallic	\$ 0
CC	Custom Color	\$ 250

## 5. LOWER PANEL

Code	Description	Price
-	Standard Fabric	\$ 0
K	Cork	\$ 300
F#####	Grade A Fabric	\$ 300

Applies to VST & VSF both sides of lower panel.

## EGANINK

Specify EganINK on EVS. Please reach to [our team](#) for an [EganINK](#) quote with your custom art file.

## 6. LINKING OPTION

Code	Description	Price
L	Link Option. Factory installed. Includes one Link Connector and two Vertical Bumpers	\$ 100

## HOW TO ORDER

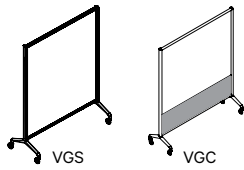
**VCT 36 54 E F CA EM F466177-028 L**

1. Product Code    Width    Height    2. Surface Side 1 Side 2    3. Frame    4. Base    5. Lower Tack Panel (Example code showing maharam fabric Manner Slope)    6. Options

# V-Series GlassWrite™ Mobile

## Table Shows Pricing Both Sides of Board

Dimensions	SINGLE PANEL			SPLIT PANEL - GLASSWRITE TOP & TACKABLE BOTTOM	
	Clear	Frosted	GlassWrite MAG	Frosted or Clear Glass Upper Panel Standard Fabric Lower Panel	
36" w x 54" h x 20" d	\$1 830	\$1 830	\$1 880	\$1 880	
48" w x 54" h x 20" d	\$1 950	\$1 950	\$2 010	\$1 990	
36" w x 60" h x 20" d	\$1 990	\$1 990	\$2 030	\$2 030	
48" w x 60" h x 20" d	\$2 090	\$2 090	\$2 160	\$2 120	
36" w x 72" h x 20" d	\$2 200	\$2 200	\$2 280	\$2 240	
48" w x 72" h x 20" d	\$2 320	\$2 320	\$2 400	\$2 370	



\*Lower Panel Tackable Fabric or Cork - Height: 18 11/16" COM (customer's own material) Upcharge: \$150 List handling fee. Customer required to purchase fabric Custom Color Frame upcharge: \$150/ product Custom sizes available - Please reach out to sales for a quote  
 WHAT'S IN THE BOX: Two (2) assorted color Dry-Erase Markers, and One (1) EganCloth

### 1. PRODUCT CODE

Code	Description
<b>VGS-CG</b>	V-Series GlassWrite Mobile Clear Glass
<b>VGS-FG</b>	V-Series GlassWrite Mobile Frosted Glass
<b>VGM</b>	V-Series GlassWrite MAG Mobile
<b>VGC</b>	V-Series GlassWrite Split Panel Mobile - Frosted or Clear Glass

### 2. GLASS COLOR

For GlassWrite MAG only -VGM

Code	Description	Price
<b>WH</b>	White	\$ 0
<b>IP</b>	Infinite Color Program	\$ 0
<b>CC</b>	Custom Color	\$ 250

Visit [egan.com](http://egan.com) or [pantone.com](http://pantone.com) for colors.

### 3. FRAME

Code	Description	Price
<b>CA</b>	Clear Anodized	\$ 0
<b>CC</b>	Custom Color	\$ 250

### 4. BASE

Code	Description	Price
<b>EM</b>	EganMetallic	\$ 0
<b>CC</b>	Custom Color	\$ 250

### 5. LOWER PANEL

Code	Description	Price
<b>-</b>	Standard Fabric	\$ 0
<b>K</b>	Cork	\$ 300
<b>F#####</b>	Grade A Fabric	\$ 300

Applies to VGC both sides of lower panel.

### FABRIC

For a full list of Standard and Grade A fabric options, see [page 12](#)

### EGANINK

Specify EganINK on Glass. Please reach to [our team](#) for an [EganINK](#) quote with your custom art file.

### 6. LINKING OPTION

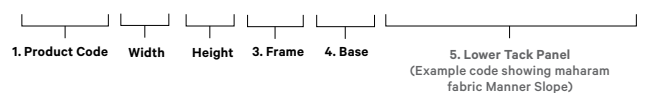
Code	Description	Price
<b>L</b>	Link Option. Factory installed. Includes one Link Connector and two Vertical Bumpers	\$ 100

### HOW TO ORDER

**VGM 30 54 WH CA EM I\_\_\_\_\_**

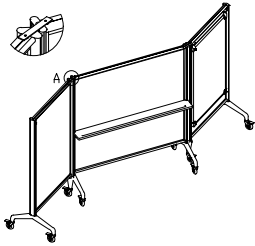


**VGC 30 54 CA EM F466177-028**



# V-Series Mobile Accessories

Four-point and Three-Point V-Series Mobiles are designed to work together to create linked partitions that can be positioned at almost any angle. See items listed below to identify appropriate accessories to build linked space partitions.

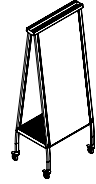


All V-Series Options are finished in EganMetallic (EM).

Code	Description	Price
<b>ACLINK</b>	Additional Single Link Connectors.	\$70
<b>AVBM27.5</b>	Magnetic Track Kit - 27 1/2" w track for mobiles 30" w or more. 6 lb. capacity.	\$120
<b>AVBM33.5</b>	Magnetic Track Kit - 33 1/2" w track for mobiles 36" w or more. 6 lb. capacity.	\$130
<b>AVBM45.5</b>	Magnetic Track Kit - 45 1/2" w track for mobiles 48" w or more. 6 lb. capacity.	\$140
<b>AVBM57.5</b>	Magnetic Track Kit - 57 1/2" w track for mobiles 60" w or more. 6 lb. capacity.	\$170
<b>ACBUMPER</b>	Upgrade Kit, which includes PVC Protective Bumpers and Link Connectors.	\$130
<b>ACSHELF30</b>	Accessory Shelf - 30" w x 1" h x 5" d. Available for VCF, VSF, VGS, VGC, and VGM.	\$210
<b>ACSHELF36</b>	Accessory Shelf - 36" w x 1" h x 5" d. Available for VCF, VSF, VGS, VGC, and VGM.	\$210
<b>ACSHELF48</b>	Accessory Shelf - 48" w x 1" h x 5" d. Available for VCF, VSF, VGS, VGC, and VGM.	\$220
<b>ACSHELF60</b>	Accessory Shelf - 60" w x 1" h x 5" d. Available for VCF, VSF, VGS, VGC, VGM and VPF.	\$220
<b>ACSHELF42</b>	Accessory Shelf - 42" w x 1" h x 5" d. Available for VGS, VGC, and VGM.	\$220

# A-Frame Mobile Dry-Erase Board

A-Frame Mobile offer two-sided high-performance EVS™ dry-erase surface. Specify any combination of EVS™ magnetic surface or Egan tackable fabric. A fixed track at the top of the A-Frame accommodates all track mounting Wall System Markerboards & Tackboards. Perfect for mobile presentations. Additional Wall System Markerboards & Tackboards sold separately. Storage for up to five boards is available inside the spacious A-Frame shelf cavity. Ships with Clear Anodized (CA) aluminum finish. Base options include locking casters.



A-Frame Mobiles can be specified with a different infill per side. Pricing reflects costs for 1 side only. Choose an infill for each side and add the price together for the total cost. If the infill is the same for both sides, simply double the cost in the chart below.

## Table Shows Pricing Per Side of Board

Dimensions	Description	EVS/ per side	Tack Standard Fabric/ per side	Tack Grade A Fabric/ per side	Tack Cork/ per side
30" w x 74" h x 21" d	Stores up to five 26" x 36" VersaBoards, sold separately. EganSystem Boards are too large for this model.	\$1,240	\$1,380	\$1,520	\$1,520
36" w x 74" h x 21" d	Stores up to five 26" x 36" or 36" x 48" VersaBoards or up to five 36" x 48" 202 EganSystem markerboards, sold separately.	\$1,320	\$1,460	\$1,600	\$1,600
42" w x 74" h x 21" d	Stores up to five 26" x 36" or 36" x 48" VersaBoards or up to five 36" x 48" 202 EganSystem markerboards, sold separately.	\$1,380	\$1,520	\$1,660	\$1,660
48" w x 74" h x 21" d	Stores up to five 26" x 36" or 36" x 48" VersaBoards or up to five 36" x 48" 202 EganSystem markerboards, sold separately.	\$1,450	\$1,590	\$1,730	\$1,730

COM (customer's own material) Upcharge: \$150 List handling fee. Customer required to purchase fabric

### 1. PRODUCT CODE

Code	Description
<b>KEA</b>	A-Frame Mobile Dry-erase Board

### 2. SURFACE

Code	Description
<b>E</b>	EVS Whiteboard
<b>F</b>	Fabric

### 3. FRAME COLOR

Code	Description	Price
-	Clear Anodized Aluminum	\$ 0
<b>BL</b>	Black	\$ 0
<b>WH</b>	White	\$ 0
<b>CC</b>	Custom Color	\$ 250

### 2 (b) FABRIC

For a full list of Standard and Grade A fabric options, see [page 12](#)

### 4. EGANINK

Specify EganINK on EVS. Please reach to [our team](#) for an [EganINK](#) quote with your custom art file.

### HOW TO ORDER

**KEA 30 74 E F BL-F463490-001 I**

1. Product Code      Width      Height      2. Surface Side 1 Side 2      3. Frame Color      2 (b) Grade A Fabric Pattern and Description      4. EganINK File

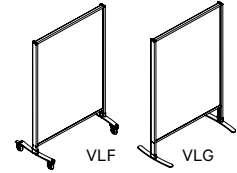
### WHAT'S IN THE BOX

For dry-erase surfaces, two (2) assorted color Dry-Erase Markers, and one (1) EganCloth

# Lite Freestanding Mobile Partition

Lite Freestanding Mobile Partitions are incredibly lightweight and easy to move, base options include locking casters or a low profile bases to suit your application. These mobiles can be specified with an EVS or Tackable infill per side.

Pricing reflects costs for 1 side only. Choose an infill for each side and add the price together for the total cost. If the infill is the same for both sides, simply double the cost in the chart below.



## Table Shows Pricing Per Side of Board

Dimensions	CASTER BASE				LOW PROFILE BASE			
	EVS	Tack Standard Fabric	Tack Grade A Fabric	Tack Cork	EVS	Tack Standard Fabric	Tack Grade A Fabric	Tack Cork
30"w x 54"h x 19"d	\$680	\$750	\$840	\$840	\$650	\$720	\$810	\$810
36"w x 54"h x 19"d	\$720	\$790	\$880	\$880	\$690	\$760	\$850	\$850
42"w x 54"h x 19"d	\$760	\$830	\$920	\$920	\$720	\$790	\$880	\$880
30"w x 60"h x 19"d	\$700	\$770	\$860	\$860	\$670	\$740	\$830	\$830
36"w x 60"h x 19"d	\$730	\$800	\$890	\$890	\$710	\$780	\$870	\$870
42"w x 60"h x 19"d	\$770	\$840	\$930	\$930	\$750	\$820	\$910	\$910
30"w x 66"h x 19"d	\$710	\$780	\$870	\$870	\$680	\$750	\$840	\$840
36"w x 66"h x 19"d	\$750	\$820	\$910	\$910	\$720	\$790	\$880	\$880
42"w x 66"h x 19"d	\$790	\$860	\$950	\$950	\$760	\$830	\$920	\$920
60"w x 66" h x 19"d*	\$950	-	-	-	-	-	-	-

Custom sizes available - Please reach out to sales for a quote.

COM (customer's own material) Upcharge: \$150 List handling fee. Customer required to purchase fabric

\*Egan LiteProjection (VLF) - available with EVS on both sides.

### 1. PRODUCT CODE

Code	Description
VLF	Lite Freestanding Mobile Caster Base
VLG	Lite Freestanding Mobile Low Profile Glide Base

### 2. SURFACE

Code	Description
E	EVS
F	Fabric

### 2 (b) FABRIC

For a full list of Standard and Grade A fabric options, see [page 12](#)

### 3. FRAME

Code	Description	Price
CA	Clear Anodized	\$ 0
CC	Custom Color	\$ 250

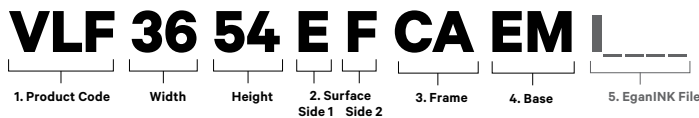
### 4. BASE

Code	Description	Price
EM	EganMetallic	\$ 0
CC	Custom Color	\$ 250

### 5. EGANINK

Specify EganINK on ALL Surfaces. Please reach to [our team](#) for an [EganINK](#) quote with your custom art file.

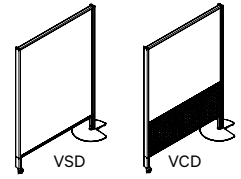
### HOW TO ORDER



# Lite Freestanding Partition Door

Lite Freestanding Screen Door Partition features a weighted trip-free base with exceptional stability and rotation through 360°. A 90° notch in the base provides compatibility with any wall or partition system. The no-lock front caster rolls smoothly and ensures door will fold back to permit free traffic flow.

Can be specified with an EVS or Tackable infill per side. Pricing reflects costs for 1 side only. Choose an infill for each side and add the price together for the total cost. If the infill is the same for both sides, simply double the cost in the chart below.



## Table Shows Pricing Per Side of Board

Dimensions	SINGLE PANEL				SPLIT PANEL - TOP: EVS or TACK   BOTTOM: PERFORATED PANEL			
	EVS	Tack Standard Fabric	Tack Grade A Fabric	Tack Cork	EVS	Tack Standard Fabric	Tack Grade A Fabric	Tack Cork
36" w x 54" h x 15" d	\$860	\$950	\$1 040	\$1 040	\$890	\$980	\$1 070	\$1 070
48" w x 54" h x 19" d	\$910	\$1 000	\$1 090	\$1 090	\$930	\$1 020	\$1 110	\$1 110
36" w x 60" h x 19" d	\$880	\$970	\$1 060	\$1 060	\$900	\$990	\$1 080	\$1 080
48" w x 60" h x 19" d	\$920	\$1 010	\$1 100	\$1 100	\$980	\$1 070	\$1 130	\$1 130

Custom sizes available - Please reach out to sales for a quote.  
 Lower Panel is perforated metal/ punched steel with 3/16" hole x 5/16" stagger  
 Custom Fabric Upcharge: \$150 List handling fee. Customer required to purchase fabric - COM (customer's own material).

### 1. PRODUCT CODE

Code	Description
VSD	Lite Freestanding Partition Door - Single Panel
VCD	Lite Freestanding Partition Door - Split Panel

### 2. SURFACE

Code	Description
E	EVS
F	Fabric

### 2 (b) FABRIC

For a full list of Standard and Grade A fabric options, see [page 12](#)

### 3. FRAME

Code	Description	Price
CA	Clear Anodized	\$ 0
CC	Custom Color	\$ 250

### 4. BASE

Code	Description	Price
EM	EganMetallic	\$ 0
CC	Custom Color	\$ 250

### EGANINK

Specify EganINK on all surfaces. Please reach to [our team](#) for an [EganINK](#) quote with your custom art file.

### HOW TO ORDER

**VSD 30 74 E F CA EM 463490-001 I**

1. Product Code    Width    Height    2. Surface Side 1 Side 2    3. Frame    4. Base    2. (b) Maharam Fabric Pattern and Description    5. EganINK File

## Room Dividers

### ■ Studio Storage

The Studio Storage serves a multi-purpose function for working environments that demand flexibility. Studio Storage can serve as a space divider, collaboration tool, and storage unit in one. Studio collection offers a wide variety of surface options that can be mixed and matched, including guaranteed-to-clean EVS whiteboard surface, magnetic glass, tackable fabric, and tackable acoustic EzoBord. Studio Storage is specified in portrait orientation.

### ■ Studio Wall - Partition & Divider

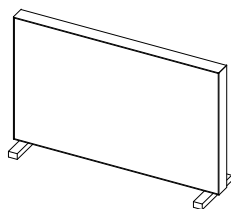
The Studio Wall offers the ultimate versatility and flexibility by providing easy to move and position space division. Studio collection offers a wide variety of surface options that can be mixed and matched, including guaranteed-to-clean EVS whiteboard surface, magnetic glass, tackable fabric, and tackable acoustic EzoBord. Studio Wall can be specified as a floor Partition in portrait orientation, or as an open space divider when in landscape orientation.

### ■ Studio Lite

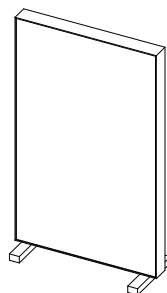
Our slimmed down version of the Studio Wall Partition, the Studio Lite Partition has dual sided functionality, easily moves around for lite, flexible space division, while ensuring functional tools to promote collaboration are readily available. Surfaces can be mix and matched and customized with Egan's EVS writing surface, tackable fabrics, and tackable acoustic EzoBord.

### ■ Standing Rigging Wall Divider

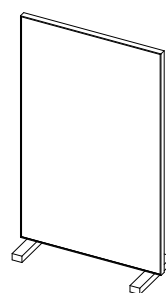
Egan Standing Rigging is an architectural-grade installation platform that brings a modern and unique tension wire installation without requiring complicated and custom-engineered architectural rigging. Install Boxcore 29 in any open space, at any height – all you need is a floor and ceiling as anchor points. The finished installation features the board suspended in midair on a simple tensioned wire rope (1x19 SSAC) assembly – with all the parts in the box from Egan. Specify dual infills - EVS, Tackable Fabric or EzoBord - for Boxcore 29 when used with Standing Rigging.



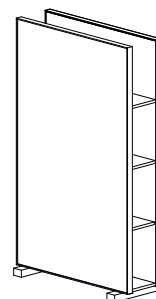
Studio Wall - Divider



Studio Wall - Partition



Studio Lite



Studio Storage

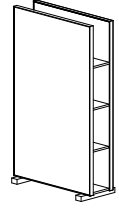
EGAN

ROOM DIVIDERS

**BUILT  
TO INSPIRE**

# Studio Storage

The Studio Storage serves a multi-purpose function for working environments that demand flexibility. Studio Storage can serve as a space divider, collaboration tool, and storage unit in one. Studio collection offers a wide variety of surface options that can be mixed and matched, including guaranteed-to-clean EVS whiteboard surface, magnetic glass, tackable fabric, and tackable acoustic EzoBord. Studio Storage is specified in portrait orientation.



Dimensions	EVS/ per side	Tack EzoBoard/ per side	Tack Standard Fabric/ per side	Tack Grade A Fabric/ per side	GlassWrite MAG/ per side
43" w x 72" h x 13" d	\$2,150	\$2,500	\$2,050	\$2,500	\$2,600

Table indicates price per side of board. ie. Cost of single side EVS is \$2,150, and 2 sided EVS is \$4,300  
 Custom sizes available - Please reach out to sales for a quote.  
 COM (customer's own material) Upcharge: \$150 List handling fee. Customer required to purchase fabric

**1. PRODUCT CODE**

Code	Description
STST	Studio Storage

**2. SURFACE**

Code	Description
E	EVS
T	EzoBord (EganMetallic Color)
F	Fabric
G	GlassWrite MAG

See [page 12](#) for a full list of EzoBord colors, standard fabrics, and Grade A fabrics

**3. FRAME & BASE STAINS**

Code	Description	Price
HS	Haystack	\$ 0
WL	Woodland	\$ 0
DW	Driftwood	\$ 0
BB	Barnboard	\$ 0
CB	Carbon	\$ 0
NA	Natural	\$ 0
CS	Custom Stain	\$ 300

**4. INTERIOR COLOR**

Code	Description	Price
WH	White Etex	\$0
BL	Black Etex	\$0
EM	Egan Metallic	\$0
CC	Custom Color	\$250

**5. EGANINK** Specify EganINK on EVS, Glass, or fabric. Please reach to [our team](#) for an [EganINK](#) quote with your custom art file.

**HOW TO ORDER**

**STST 43 72 E E HS WH I**

1. Product Code      Width      Height      2. Surface Side 1 Side 2      3. Frame & Base Stain      4. Interior Color      5. EganINK #

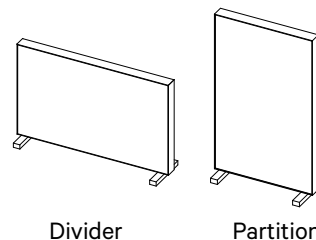
**WHAT'S IN THE BOX** For dry-erase surfaces, two (2) assorted color Dry-Erase Markers, and one (1) EganCloth

Room Dividers



# Studio Wall

The Studio Wall offers the ultimate versatility and flexibility by providing easy to move and position space division. Studio collection offers a wide variety of surface options that can be mixed and matched, including guaranteed-to-clean EVS whiteboard surface, magnetic glass, tackable fabric, and tackable acoustic EzoBord. Studio Wall can be specified as a floor Partition in portrait orientation, or as an open space divider when in landscape orientation.



Studio Wall	Dimensions	EVS/ per side	Tack EzoBoard/ per side	Tack Standard Fabric/ per side	Tack Grade A Fabric/ per side	GlassWrite MAG/ per side
Partition	43"w x 72"h x 5"d	\$1,400	\$1,500	\$1,150	\$1,500	\$2,250
Divider	70"w x 45"h x 5"d	\$1,400	\$1,500	\$1,150	\$1,500	\$2,250

Table indicates price per side of board. ie. Cost of single side EVS is \$1,400, and 2 sided EVS is \$2,800  
 Custom sizes available - Please reach out to sales for a quote.  
 COM (customer's own material) Upcharge: \$150 List handling fee. Customer required to purchase fabric

Room Dividers

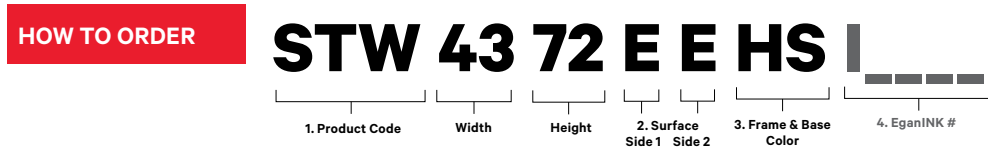
1. PRODUCT CODE	Code	Description
	<b>STW</b>	Studio Wall Partition & Divider

2. SURFACE	Code	Description
	<b>E</b>	EVS
	<b>T</b>	EzoBord (EganMetallic Color)
	<b>F</b>	Fabric
	<b>G</b>	GlassWrite MAG

See [page 12](#) for a full list of EzoBord colors, standard fabrics, and Grade A fabrics

3. FRAME & BASE STAINS	Code	Description	Price
	<b>HS</b>	Haystack	\$ 0
	<b>WL</b>	Woodland	\$ 0
	<b>DW</b>	Driftwood	\$ 0
	<b>BB</b>	Barnboard	\$ 0
	<b>CB</b>	Carbon	\$ 0
	<b>NA</b>	Natural	\$ 0
	<b>CS</b>	Custom Stain	\$ 300

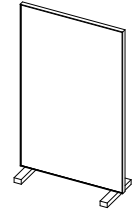
**4. EGANINK** Specify EganINK on EVS, Glass, and acoustic/tackable materials. Please reach to [our team](#) for an [EganINK](#) quote with your custom art file.



**WHAT'S IN THE BOX** For dry-erase surfaces, two (2) assorted color Dry-Erase Markers, and one (1) EganCloth

# Studio Lite

Our slimmed down version of the Studio Wall Partition, the Studio Lite Partition has dual sided functionality, easily moves around for lite, flexible space division, while ensuring functional tools to promote collaboration are readily available. Surfaces can be mix and matched and customized with Egan’s EVS writing surface, tackable fabrics, and tackable acoustic EzoBord.



Studio Lite	Dimensions	EVS/ per side	Tack EzoBoard/ per side	Tack Standard Fabric/ per side	Tack Grade A Fabric/ per side
Partition	43”w x 72”h x 1 7/8”d	\$1,150	\$1,250	\$900	\$1,250

Table indicates price per side of board. ie. Cost of single side EVS is \$1,150, and 2 sided EVS is \$2,300  
 Glass surface infills available upon custom request, must be specified with glass on both sides.  
 Custom sizes available - Please reach out to sales for a quote.  
 COM (customer's own material) Upcharge: \$150 List handling fee. Customer required to purchase fabric

1. PRODUCT CODE	Code	Description
	STL	Studio Lite Partition

2. SURFACE	Code	Description
	E	EVS
T	EzoBord (EganMetallic Color)	
F	Fabric	
See <a href="#">page 12</a> for a full list of EzoBord colors, standard fabrics, and Grade A fabrics		

3. FRAME & BASE STAINS	Code	Description	Price
	HS	Haystack	\$ 0
WL	Woodland	\$ 0	
DW	Driftwood	\$ 0	
BB	Barnboard	\$ 0	
CB	Carbon	\$ 0	
NA	Natural	\$ 0	
CS	Custom Stain	\$ 300	

**4. EGANINK** Specify EganINK on EVS, Glass, or fabric. Please reach to [our team](#) for an [EganINK](#) quote with your custom art file.

**HOW TO ORDER**

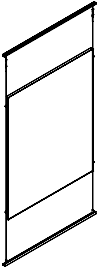
**STL 43 72 E E HS |**

1. Product Code    Width    Height    2. Surface Side 1 Side 2    3. Frame & Base Color    4. EganINK #

**WHAT'S IN THE BOX** For dry-erase surfaces, two (2) assorted color Dry-Erase Markers, and one (1) EganCloth

# Standing Rigging Room Divider

Egan Presentation Boards are available wall mount, track mount, wallcovering, freestanding, mobile, and more: now you can specify Egan Boxcore 29 in open environments! Egan Standing Rigging is an all-new architectural-grade installation platform that brings a modern and unique tension wire installation. Install Boxcore 29 in any open space, at any height – all you need is a floor and ceiling as anchor points. The finished installation features the board suspended in midair on a simple tensioned wire rope (1x19 SSAC) assembly – with all the parts in the box from Egan.



Code	Description	Price
<b>DMBR29-</b>	Standing Rigging 2 Sided Room Divider	See Below by Surface
<b>ACESR-KIT</b>	Egan Standing Rigging Kit	\$650
<b>ACESR-KIT-ADD</b>	For use with ACESR-KIT when installing 2 or more boards on the same vertical wire	\$440

<b>ACESR-WC</b>	Wire Cutter - Optional	Inquire*
<b>ACESR-TG</b>	Tension Gauge - Optional	Inquire*

### What's In The Box

Ship with Two (2) assorted color Dry-Erase Markers One (1) EganCloth.

The kit consists of track, wire, board mounts (stops and eye bolts) and termination hardware. What is not included: installation hardware (to mount the track), tools, and the tension gauge. Wire tension of 350lbs is recommended to stabilize the installation, and a wire tension gauge is required to measure this. If cutting the wire, the cut must be clean. If the installer does not have a tension gauge or wire cutter (appropriate for SSAC 1x19, such as Felco cutter), these are widely available and also available from Egan.

### Installation

1. Install the upper and lower track.
2. Slide the turnbuckle into the upper track, with the wires hanging down. The wires have been fixed to the turnbuckle termination at the factory.
3. Screw the eye bolts into the factory-prepared holes on the Dimension Stele Boxcore frame.
4. Feed the wire through the eyebolts and the stop collars, temporarily fixing the stop collars to hold the board in place.
5. Cut off any excess wire and insert the wire into the quick connect fitting.
6. Insert the fitting into the lower track and tighten the turnbuckle to 350 lbs (gauge required).
7. True the board and tighten the stop clamps.

### Where To Specify Standing Rigging

Egan Standing Rigging can bring high functionality and modern design esthetic to almost any space. Consider complementing other architectural tension wire assemblies (live walls, rails, etc), creating workspaces in open floorplans, or even to install presentation boards in front of walls which cannot have fixtures (glass walls, demountable walls, partitions, etc).

### How To Specify Boards

Egan Standing Rigging is solely available on Boxcore 29. These boards have two additional features: first, they are optionally manufactured in a double-sided configuration; second, they feature mounting holes on the Boxcore frame for the Standing Rigging hardware.

### How To Specify The Standing Rigging Kit

Order one kit per board to be installed. A Standing Rigging Kit includes hardware suitable for installing one board (of any standard size) with a floor-to-ceiling distance of up to 12'. For greater heights or long continuous runs of boards - please call Customer Service.

### PRICING SHOWN PER SIDE - PICK PER SIDE

	EVS Whiteboard Code: E	Tack EzoBord Code: T	Tack Standard Fabric Code: F	Tack Grade A Fabric Code: F
48" w x 36" h x 1 1/8" d	\$700	\$700	\$760	\$840
48" w x 48" h x 1 1/8" d	\$790	\$790	\$860	\$950
60" w x 48" h x 1 1/8" d	\$910	\$910	\$990	\$1,090
72" w x 48" h x 1 1/8" d	\$980	\$980	\$1,050	\$1,150
96" w x 48" h x 1 1/8" d	\$1,310	\$1,300	\$1,400	\$1,510
120" w x 48" h x 1 1/8" d	\$1,610	-	-	-

### Projection Optimized Ratio

77" w x 48" h   16:10	\$1,180	-	-	-
82" w x 51" h   16:9	\$1,400	-	-	-

### STANDING RIGGING GLASS DOUBLE SIDED PRICING

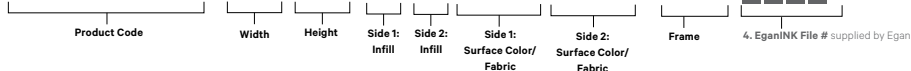
	GlassWrite MAG Code: GG	EganAero MAG Code: EA
48" w x 36" h x 1 1/8" d	\$3,780	\$4,480
48" w x 48" h x 1 1/8" d	\$3,440	\$5,480
60" w x 48" h x 1 1/8" d	\$5,360	\$6,280
72" w x 48" h x 1 1/8" d	\$6,090	\$7,160
96" w x 48" h x 1 1/8" d	\$7,160	Inquir

\*GlassWrite infills must be specified as two sided for even weight distribution

### HOW TO ORDER

GLASS

**DMBR29-48 48 G G WH WH CA I**



## Desk Dividers

### ■ Boxcore Desk Divider

---

The rectilinear minimalist design of the Boxcore 29 presentation board is available as a versatile, demountable office enhancement in the form of the Boxcore 29 Desk Divider. Available in a range of infill options, such as EVS, GlassWrite and Tackable fabrics. Specify EganINK on any material to enhance productivity and design.

### ■ Architrave Desk Divider

---

Architrave products are defined by their sturdy, wood oak Boxcore 1 1/8" (29mm) frame. Features of the Architrave family consist of thin bezel edge of 1/4" (6mm), a robust construction with a clean external appearance and no extraneous materials. Specify your Architrave Desk Divider from a range of infill options, such as EVS, GlassWrite, Tackable fabric.

### ■ Dimension Desk Divider

---

The design principles of the Dimension family extend into the Dimension Desk Divider, with its crisp, clean lines that promote a minimalist esthetic and create consistency and uniformity when specified with the Dimension line of Marker and Tackboards.

### ■ GlassWrite Desk Divider

---

The GlassWrite Desk Divider is an elegant, frameless 1/2" (13mm) thick singular piece of glass with polished and chamfered edges. Available in Frosted or Clear glass with the option to illuminate the GlassWrite panel with a LED light embedded into the base.

### ■ V-Series Desk Divider

---

The V-Series Desk Divider is part of the V-Series design family which has a sturdy aluminum frame and a range of infill options, such as: EVS, Frosted Glass, Cork and Tackable Fabric. The V-Series Desk Divider also has a unique mount (as shown on page 53), making it extremely easy to install.

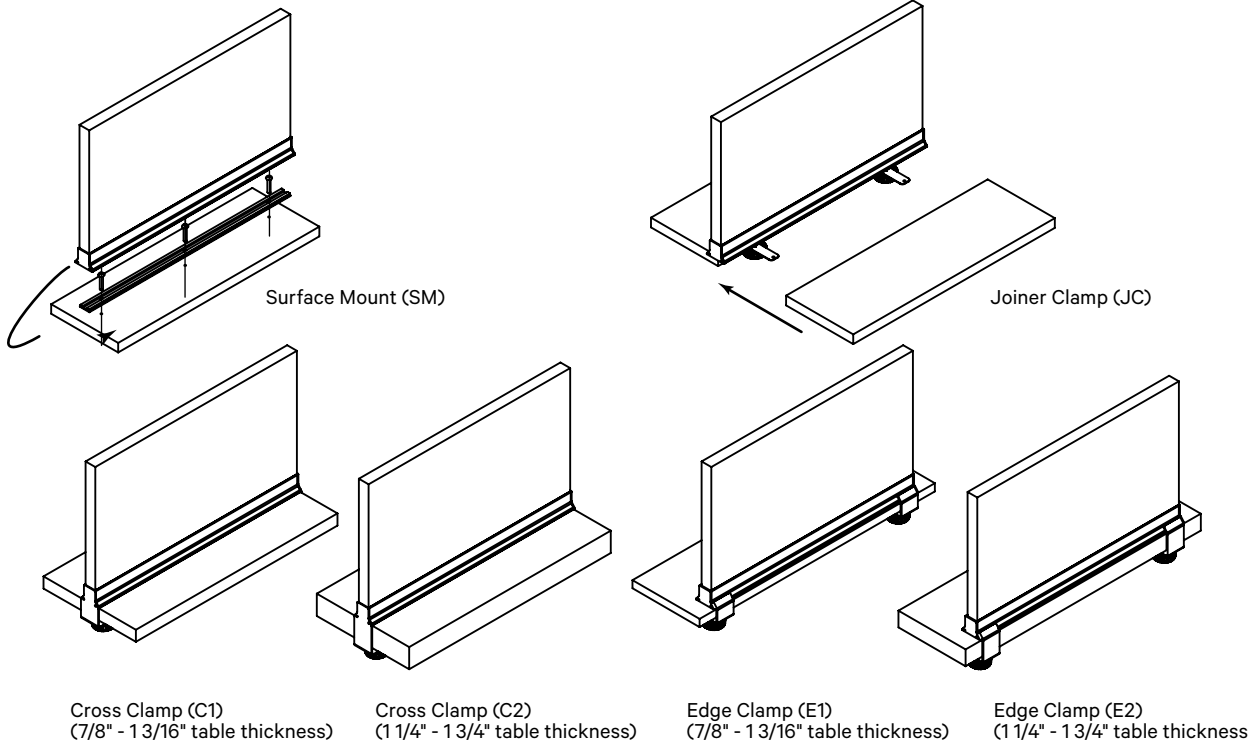
### ■ Fabric Desk Divider

---

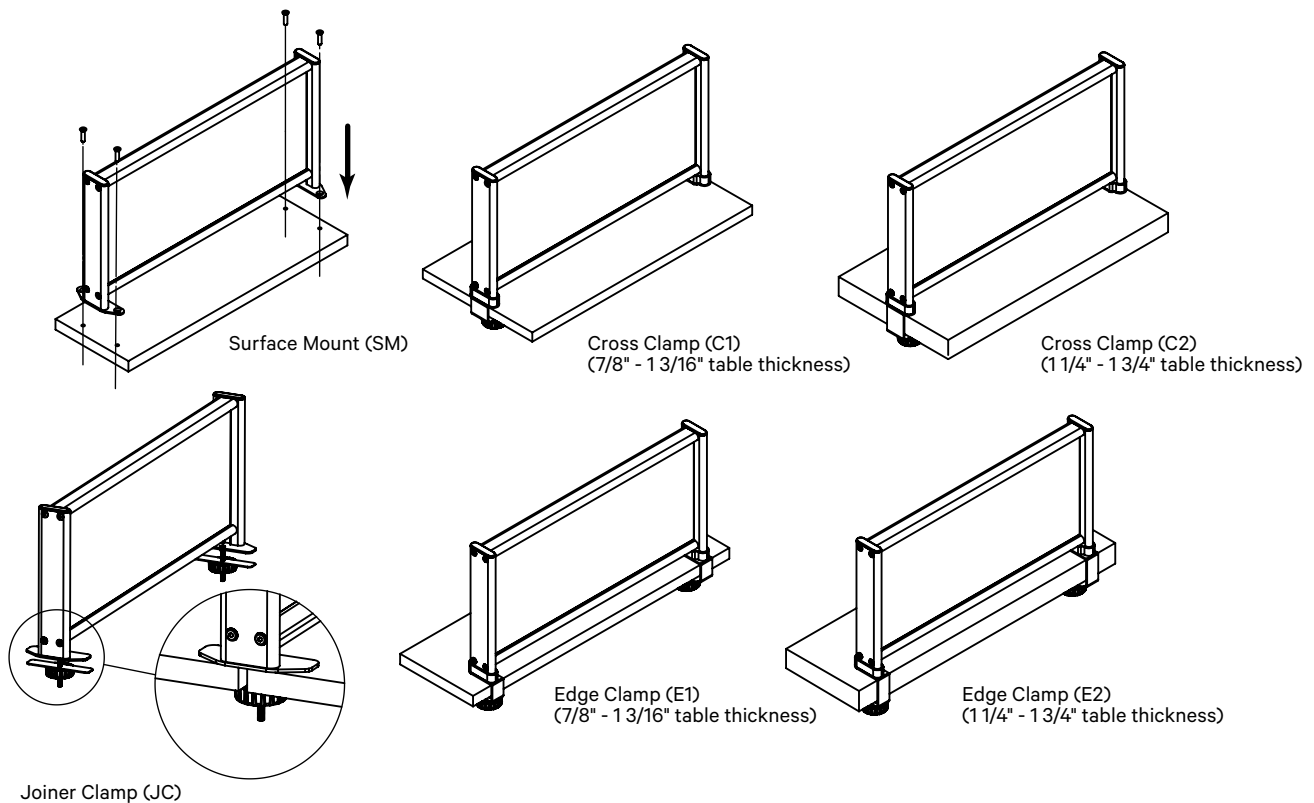
Create functional privacy without compromising design elements in open concept environments. Available with 5 Standard Fabric patterns with a wide selection of colorways for each pattern or upgrade to Grade A Maharam fabrics. COM available contact Egan Rep or Egan Customer Service for details.

# Desk Divider Mount Options

Surface Mount, Joiner Clamp, Cross Clamp and Edge Clamp are available on all desk dividers. Mount options shown below apply to Dimension, GlassWrite™, Architrave and Boxcore™ models. Dimension Stele Desk Dividers shown below.



Surface Mount, Joiner Clamp, Cross Clamp and Edge Clamp are available on all desk dividers. Mount options shown below apply to V-Series Desk Dividers.



Parcel Service items (📦) ship 'Freight Included'.

# Boxcore™ Desk Divider

Boxcore 29 Desk Dividers can be specified with a different infill per side. Pricing reflects costs for 1 side only. Choose an infill for each side and add the price together for the total cost. If the infill is the same for both sides, simply double the cost in the chart below.

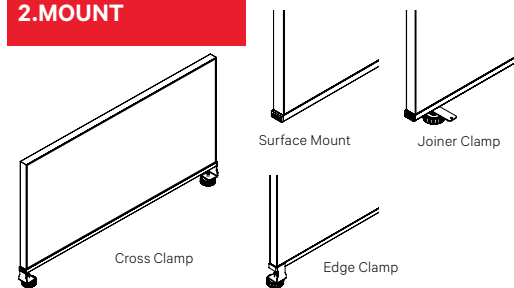
## Table Shows Pricing Per Side of Board

Dimension	EVS /per side	Tack EzoBord /per side	Tack Standard Fab-ric/per side	Tack Grade A Fabric / per side
24"w x 12"h	\$320	\$330	\$350	\$400
24"w x 14"h	\$330	\$340	\$360	\$410
24"w x 18"h	\$330	\$350	\$370	\$420
24"w x 24"h	\$340	\$360	\$380	\$440
30"w x 12"h	\$340	\$360	\$370	\$440
30"w x 14"h	\$340	\$360	\$380	\$450
30"w x 18"h	\$360	\$370	\$390	\$470
30"w x 24"h	\$370	\$390	\$410	\$490
36"w x 12"h	\$350	\$360	\$380	\$450
36"w x 14"h	\$370	\$380	\$410	\$480
36"w x 18"h	\$390	\$410	\$430	\$510
36"w x 24"h	\$420	\$450	\$460	\$550
48"w x 12"h	\$360	\$380	\$400	\$460
48"w x 14"h	\$390	\$410	\$430	\$500
48"w x 18"h	\$420	\$440	\$460	\$540
48"w x 24"h	\$460	\$480	\$510	\$590
60"w x 12"h	\$390	\$410	\$430	\$520
60"w x 14"h	\$410	\$430	\$450	\$550
60"w x 18"h	\$450	\$480	\$500	\$600
60"w x 24"h	\$510	\$530	\$560	\$670
72"w x 12"h	\$410	\$430	\$450	\$570
72"w x 14"h	\$450	\$470	\$490	\$600
72"w x 18"h	\$490	\$510	\$530	\$650
72"w x 24"h	\$550	\$520	\$600	\$720

Custom sizes available - Use price from the next larger size. For example, 20" w x 12" h use pricing from the next larger size (24" w x 12" h)

Custom Fabric Upcharge: \$150 List handling fee. Customer required to purchase fabric COM (customer's own material).

### 2. MOUNT



Code	Description
E1	Install desk divider along the edge of a 7/8" to 1 3/16" thick table using an Edge Clamp.
E2	Install desk divide along the edge of a 1 1/4" to 1 3/4" thick table using an Edge Clamp.
C1	Install desk divide across a surface of a 7/8" to 1 3/16" thick table using a Cross Clamp.
C2	Install desk divide across a surface of a 1 1/4" to 1 3/4" thick table using a Cross Clamp.
SM	Install desk divide across a surface or along the edge of a table using a Surface Mount.
JC	Install desk divide along the seams of two adjacent tables using a Joiner Clamp.

### HOW TO ORDER

**TSB 24 12 JC E E WH CA I**

1. Product Code    Width    Height    2. Mount    2. Surface Side 1 Side 2    4. Frame    4. Base    5. EganINK File

### WHAT'S IN THE BOX

For dry-erase surfaces, two (2) assorted color Dry-Erase Markers, and one (1) EganCloth

### 1. PRODUCT CODE

Code	Description
TSB	EVS, Fabric, or EzoBord

### 3. SURFACE

Code	Description
E	EVS
T	EzoBord/PET
F	Fabric

See [page 12](#) for a full list of EzoBord colors, standard fabrics, and Grade A fabrics

### 4. FRAME & BASE

Code	Description	Price
CA	Clear Anodized	\$ 0
WH	White	\$ 150
BL	Black	\$ 150
CC	Custom Color	\$ 250

### 5. EGANINK

Specify EganINK on Glass. Please reach to [our team](#) for an [EganINK](#) quote with your custom art file.

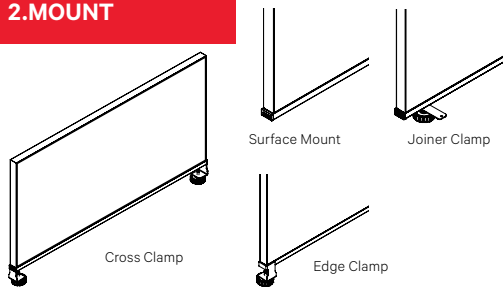
# Boxcore™ GlassWrite Desk Divider

Distinguished by an ultra-thin bezel, and a clear anodized aluminum frame in 1 1/8" (29mm) depth. The Boxcore GlassWrite Desk Divider is built from a guaranteed-to-clean, crystal clear, low iron tempered safety glass for high clarity of surface. GlassWrite is neo-magent compatible and is available with Egan Infinite Palette - choose from 1,050 standard glass colors.

Dimension	GlassWrite MAG
24"w x 12"h	\$960
24"w x 14"h	\$1,060
24"w x 18"h	\$1,260
24"w x 24"h	\$1,670
30"w x 12"h	\$1,120
30"w x 14"h	\$1,270
30"w x 18"h	\$1,520
30"w x 24"h	\$1,930
36"w x 12"h	\$1,270
36"w x 14"h	\$1,480
36"w x 18"h	\$1,790
36"w x 24"h	\$2,250
48"w x 12"h	\$1,650
48"w x 14"h	\$1,860
48"w x 18"h	\$2,270
48"w x 24"h	\$3,030
60"w x 12"h	\$2,010
60"w x 14"h	\$2,320
60"w x 18"h	\$2,810
60"w x 24"h	\$3,370
72"w x 12"h	\$2,340
72"w x 14"h	\$2,760
72"w x 18"h	\$3,370
72"w x 24"h	\$4,860

Custom sizes available - Please reach out to sales for a quote.

## 2. MOUNT



Code	Description
E1	Install desk divider along the edge of a 7/8" to 1 3/16" thick table using an Edge Clamp.
E2	Install desk divider along the edge of a 1 1/4" to 1 3/4" thick table using an Edge Clamp.
C1	Install desk divider across a surface of a 7/8" to 1 3/16" thick table using a Cross Clamp.
C2	Install desk divider across a surface of a 1 1/4" to 1 3/4" thick table using a Cross Clamp.
SM	Install desk divider across a surface or along the edge of a table using a Surface Mount.
JC	Install desk divider along the seams of two adjacent tables using a Joiner Clamp.

## HOW TO ORDER

**TSGB 24 12 JC WH WH CA I**

1. Product Code      Width      Height      2. Mount      3. Glass Color Side 1 Side 2      4. Frame & Base      5. EganINK File

## WHAT'S IN THE BOX

For dry-erase surfaces, two (2) assorted color Dry-Erase Markers, and one (1) EganCloth

## 1. PRODUCT CODE

Code	Description
TSGB	Glass dry-erase surface

## 3. GLASS COLOR

Code	Description	Price
WH	White	\$ 0
IP	Infinite Color Program	\$ 0
CC	Custom Color	\$ 250

Visit [egan.com](http://egan.com) or [pantone.com](http://pantone.com) for colors.

## 4. FRAME & BASE

Code	Description	Price
CA	Clear Anodized	\$ 0
WH	White	\$ 150
BL	Black	\$ 150
CC	Custom Color	\$ 250

## 5. EGANINK

Specify EganINK on Glass. Please reach to [our team](#) for an [EganINK](#) quote with your custom art file.

Desk Dividers

# Architrave Desk Divider

Architrave Desk Divider can be specified with a different infill per side. Pricing reflects costs for 1 side only. Choose an infill for each side and add the price together for the total cost. If the infill is the same for both sides, simply double the cost in the chart below.

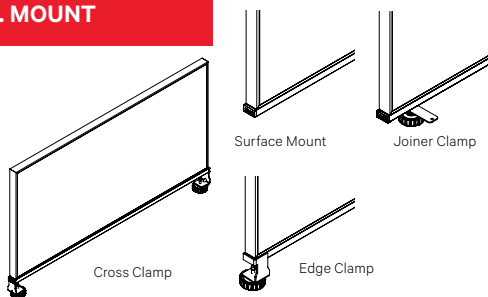
## Table Shows Pricing Per Side of Board

Dimension	EVS/ per side	Tack EzoBord/ per side	Tack Standard Fabric/ per side	Tack Grade A Fabric / per side
24"w x 12"h	\$320	\$330	\$350	\$400
24"w x 14"h	\$330	\$340	\$360	\$410
24"w x 18"h	\$335	\$350	\$370	\$420
24"w x 24"h	\$340	\$360	\$380	\$440
30"w x 12"h	\$335	\$350	\$370	\$440
30"w x 14"h	\$340	\$360	\$380	\$450
30"w x 18"h	\$360	\$370	\$390	\$470
30"w x 24"h	\$370	\$390	\$410	\$490
36"w x 12"h	\$350	\$360	\$380	\$450
36"w x 14"h	\$370	\$380	\$410	\$480
36"w x 18"h	\$390	\$410	\$430	\$510
36"w x 24"h	\$420	\$450	\$460	\$550
48"w x 12"h	\$360	\$380	\$400	\$460
48"w x 14"h	\$390	\$410	\$430	\$500
48"w x 18"h	\$420	\$440	\$460	\$540
48"w x 24"h	\$460	\$480	\$510	\$590
60"w x 12"h	\$390	\$410	\$430	\$520
60"w x 14"h	\$410	\$430	\$450	\$550
60"w x 18"h	\$450	\$480	\$500	\$600
60"w x 24"h	\$510	\$530	\$560	\$670
72"w x 12"h	\$410	\$430	\$450	\$570
72"w x 14"h	\$450	\$470	\$490	\$600
72"w x 18"h	\$490	\$510	\$530	\$650
72"w x 24"h	\$550	\$560	\$600	\$720

Custom sizes available - Use price from the next larger size. For example, 20"w x 12"h use pricing from the next larger size (24"w x 12"h)

COM (customer's own material) Upcharge: \$150 List handling fee. Customer required to purchase fabric

### 2. MOUNT



Code	Description
E1	Install desk divider along the edge of a 7/8" to 1 3/16" thick table using an Edge Clamp.
E2	Install desk divider along the edge of a 1 1/4" to 1 3/4" thick table using an Edge Clamp.
C1	Install desk divider across a surface of a 7/8" to 1 3/16" thick table using a Cross Clamp.
C2	Install desk divider across a surface of a 1 1/4" to 1 3/4" thick table using a Cross Clamp.
SM	Install desk divider across a surface or along the edge of a table using a Surface Mount.
JC	Install desk divider along the seams of two adjacent tables using a Joiner Clamp.

### HOW TO ORDER

**TSA 24 12 JC E E CB CA I**

1. Product Code    Width    Height    2. Mount    2. Surface Side 1 Side 2    4. Frame    4. Base    5. EganINK File

### WHAT'S IN THE BOX

For dry-erase surfaces, two (2) assorted color Dry-Erase Markers, and one (1) EganCloth

### 1. PRODUCT CODE

Code	Description
TSA	EVS, Fabric, or EzoBord

### 3. SURFACE

Code	Description
E	EVS
T	EzoBord/PET
F	Fabric

See [page 12](#) for a full list of EzoBord colors, standard fabrics, and Grade A fabrics

### 4. FRAME STAINS

Code	Description	Price
HS	Haystack	\$ 0
WL	Woodland	\$ 0
DW	Driftwood	\$ 0
BB	Barnboard	\$ 0
CB	Carbon	\$ 0
NA	Natural	\$ 0
CS	Custom Stain	\$ 300

### 5. EGANINK

Specify EganINK on EVS. Please reach to [our team](#) for an [EganINK](#) quote with your custom art file.



# Architrave GlassWrite Desk Divider

Distinguished by a sturdy 1 1/8" wood oak frame, Architrave GlassWrite Desk Divider is available in four distinct stains and comes with various infill options. GlassWrite is built from a guaranteed-to-clean, crystal clear, low iron tempered safety glass for high clarity of surface. GlassWrite is neo-magent compatible and is available with Egan Infinite Palette - choose from 1,050 standard glass colors.

Dimension	GlassWrite MAG
24"w x 12"h	\$960
24"w x 14"h	\$1,060
24"w x 18"h	\$1,260
24"w x 24"h	\$1,670
30"w x 12"h	\$1,120
30"w x 14"h	\$1,270
30"w x 18"h	\$1,520
30"w x 24"h	\$1,930
36"w x 12"h	\$1,270
36"w x 14"h	\$1,480
36"w x 18"h	\$1,790
36"w x 24"h	\$2,250
48"w x 12"h	\$1,650
48"w x 14"h	\$1,860
48"w x 18"h	\$2,270
48"w x 24"h	\$3,030
60"w x 12"h	\$2,010
60"w x 14"h	\$2,320
60"w x 18"h	\$2,810
60"w x 24"h	\$3,370
72"w x 12"h	\$2,340
72"w x 14"h	\$2,760
72"w x 18"h	\$3,370
72"w x 24"h	\$4,860

## 1. PRODUCT CODE

Code	Description
TSA	Glass dry-erase surface

## 3. SURFACE

Code	Description
GG	GlassWrite MAG

## 4. GLASS COLOR

Code	Description	Price
WH	White	\$ 0
IP	Infinite Color Program	\$ 0
CC	Custom Color	\$ 250

Visit [egan.com](http://egan.com) or [pantone.com](http://pantone.com) for colors.

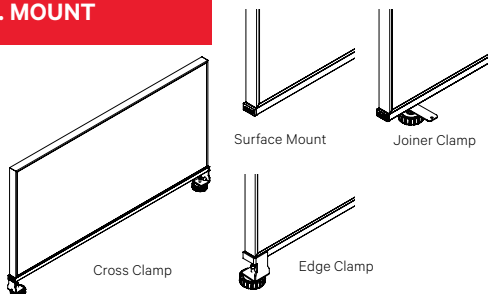
## 5. FRAME STAINS

Code	Description	Price
HS	Haystack	\$ 0
WL	Woodland	\$ 0
DW	Driftwood	\$ 0
BB	Barnboard	\$ 0
CB	Carbon	\$ 0
NA	Natural	\$ 0
CS	Custom Stain	\$ 300

## 6. EGANINK

Specify EganINK on Glass. Please reach to [our team](#) for an [EganINK](#) quote with your custom art file.

## 2. MOUNT



Code	Description
E1	Install desk divider along the edge of a 7/8" to 1 3/16" thick table using an Edge Clamp.
E2	Install desk divider along the edge of a 1 1/4" to 1 3/4" thick table using an Edge Clamp.
C1	Install desk divider across a surface of a 7/8" to 1 3/16" thick table using a Cross Clamp.
C2	Install desk divider across a surface of a 1 1/4" to 1 3/4" thick table using a Cross Clamp.
SM	Install desk divider across a surface or along the edge of a table using a Surface Mount.
JC	Install desk divider along the seams of two adjacent tables using a Joiner Clamp.

## HOW TO ORDER

**TSA 24 12 JC G G WH CB I**

1. Product Code    Width    Height    2. Mount    3. Surface Side 1 Side 2    4. Glass Color    5. Frame    6. EganINK File

## WHAT'S IN THE BOX

For dry-erase surfaces, two (2) assorted color Dry-Erase Markers, and one (1) EganCloth

# Dimension Stele™ Desk Dividers

Dimension Stele Desk Dividers can be specified with a different infill per side. Pricing reflects costs for 1 side only. Choose an infill for each side and add the price together for the total cost. If the infill is the same for both sides, simply double the cost in the chart below.

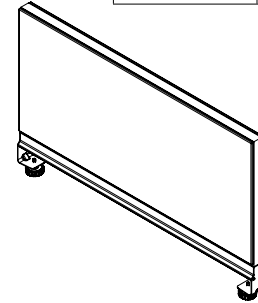
## Table Shows Pricing Per Side of Board

Dimension	EVS/per side	Tack EzoBord/per side	Tack Standard Fabric/per side	Tack Grade A Fabric/per side
24"w x 12"h	\$270	\$280	\$290	\$320
24"w x 14"h	\$290	\$300	\$300	\$330
24"w x 18"h	\$290	\$310	\$310	\$360
30"w x 12"h	\$300	\$310	\$320	\$350
30"w x 14"h	\$310	\$320	\$330	\$360
30"w x 18"h	\$330	\$340	\$350	\$420
36"w x 12"h	\$320	\$330	\$340	\$370
36"w x 14"h	\$340	\$350	\$360	\$400
36"w x 18"h	\$360	\$370	\$380	\$420
48"w x 12"h	\$340	\$340	\$360	\$470
48"w x 14"h	\$360	\$370	\$380	\$420
48"w x 18"h	\$410	\$420	\$430	\$470
60"w x 12"h	\$360	\$370	\$380	\$420
60"w x 14"h	\$400	\$410	\$420	\$470
60"w x 18"h	\$440	\$450	\$460	\$510
72"w x 12"h	\$400	\$410	\$420	\$470
72"w x 14"h	\$450	\$460	\$470	\$520
72"w x 18"h	\$470	\$480	\$500	\$560

Custom sizes available - Use price from the next larger size. For example, 20"w x 12"h use pricing from the next larger size (24"w x 12"h)  
 Custom Fabric Upcharge: \$150 List handling fee. Customer required to purchase fabric COM (customer's own material).

### 1. PRODUCT CODE

Code	Description
TSDM	EVS   Frameless



### 2. MOUNT

These desk dividers use the traditional mounting base.

Code	Description
E1	Install desk divider along the edge of a 7/8" to 1 3/16" thick table using an Edge Clamp.
E2	Install desk divider along the edge of a 1 1/4" to 1 3/4" thick table using an Edge Clamp.
C1	Install desk divider across a surface of a 7/8" to 1 3/16" thick table using a Cross Clamp.
C2	Install desk divider across a surface of a 1 1/4" to 1 3/4" thick table using a Cross Clamp.
SM	Install desk divider across a surface or along the edge of a table using a Surface Mount.
JC	Install desk divider along the seams of two adjacent tables using a Joiner Clamp.

### 3. SURFACE

Code	Description
E	EVS
T	EzoBord/PET (EganMetallic color)
F	Fabric

See [page 12](#) for a full list of EzoBord colors, standard fabric, and Grade A fabrics

### 4. EDGE COLOR

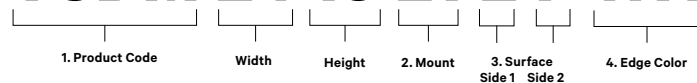
Code	Description	Price
WH	White	\$ 0
CC	Custom Color	\$ 250

### 5. EGANINK

Specify EganINK on EVS. Please reach to [our team](#) for an [EganINK](#) quote with your custom art file.

### HOW TO ORDER

**TSDM 24 18 E1 E F WH**



### WHAT'S IN THE BOX

- Two (2) assorted color Dry-Erase Markers
- One (1) EganCloth

# GlassWrite Desk Dividers

GlassWrite Desk Dividers can be specified with one infill material only. Pricing reflects costs for both sides.

Dimension	GlassWrite   Clear	GlassWrite   Frosted	GlassWrite   Lumens
24" w x 12" h	\$610	\$610	\$820
24" w x 14" h	\$650	\$650	\$860
30" w x 12" h	\$690	\$690	\$920
30" w x 14" h	\$750	\$750	\$980
36" w x 12" h	\$960	\$960	\$1,220
36" w x 14" h	\$1,020	\$1,020	\$1,260
48" w x 12" h	\$1,240	\$1,240	\$1,530
48" w x 14" h	\$1,290	\$1,290	\$1,600
60" w x 12" h	\$1,370	\$1,370	\$1,740
60" w x 14" h	\$1,450	\$1,450	\$1,820
72" w x 12" h	\$1,520	\$1,520	\$1,910
72" w x 14" h	\$1,600	\$1,600	\$2,010

## 1. PRODUCT CODE

Code	Description
TSG	GlassWrite   Frameless



Custom sizes available - Use price from the next larger size. For example, 20" w x 12" h use pricing from the next larger size (24" w x 12" h)  
 Custom Fabric Upcharge: \$150 List handling fee. Customer required to purchase fabric COM (customer's own material).  
 Frosted Glass is Dry-erase one side only (smooth side dry-erase compatible)

## 2. MOUNT

Code	Description
E1	Install desk divider along the edge of a 7/8" to 1 3/16" thick table using an Edge Clamp.
E2	Install desk divider along the edge of a 1 1/4" to 1 3/4" thick table using an Edge Clamp.
C1	Install desk divider across a surface of a 7/8" to 1 3/16" thick table using a Cross Clamp.
C2	Install desk divider across a surface of a 1 1/4" to 1 3/4" thick table using a Cross Clamp.
SM	Install desk divider across a surface or along the edge of a table using a Surface Mount.
JC	Install desk divider along the seams of two adjacent tables using a Joiner Clamp.

## 3. SURFACE

These desk dividers use the traditional mounting base.

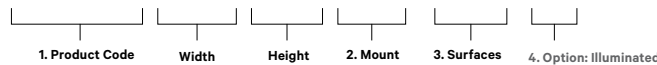
Code	Description
GC	Clear
GF	Frosted

## 4. OPTION

Code	Description
L	Lumens

## HOW TO ORDER

**TSG 24 14 E1 GC L**



## WHAT'S IN THE BOX

Two (2) assorted color Dry-Erase Markers  
 One (1) EganCloth

# V-Series Desk Divider

V-Series Desk Divider can be specified with a different infill per side. Pricing reflects costs for 1 side only. Choose an infill for each side and add the price together for the total cost. If the infill is the same for both sides, simply double the cost in the chart below.

## Table Shows Pricing Per Side of Board

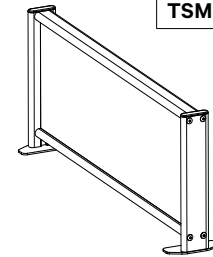
Dimension	EVS/ per side	GlassWrite Frosted/ per side	Tack EzoBord/ per side	Tack Standard Fabric /per side	Tack Grade A Fabric/ per side	Tack Cork/per side
24"w x 12"h	\$360	\$390	\$380	\$400	\$490	\$490
24"w x 14"h	\$370	\$400	\$390	\$410	\$500	\$500
24"w x 18"h	\$380	\$410	\$400	\$420	\$510	\$510
30"w x 12"h	\$380	\$410	\$400	\$420	\$520	\$520
30"w x 14"h	\$390	\$420	\$410	\$430	\$550	\$550
30"w x 18"h	\$400	\$430	\$420	\$440	\$560	\$560
36"w x 12"h	\$390	\$420	\$410	\$430	\$540	\$540
36"w x 14"h	\$410	\$440	\$430	\$450	\$570	\$570
36"w x 18"h	\$430	\$460	\$450	\$470	\$600	\$600
48"w x 12"h	\$400	\$430	\$420	\$440	\$550	\$550
48"w x 14"h	\$430	\$460	\$450	\$470	\$590	\$590
48"w x 18"h	\$460	\$490	\$480	\$510	\$640	\$640
60"w x 12"h	\$420	\$450	\$450	\$460	\$610	\$610
60"w x 14"h	\$460	\$490	\$480	\$510	\$650	\$650
60"w x 18"h	\$490	\$520	\$510	\$530	\$680	\$680
72"w x 12"h	\$440	\$470	\$460	\$490	\$640	\$640
72"w x 14"h	\$480	\$510	\$510	\$530	\$690	\$690
72"w x 18"h	\$520	\$550	\$550	\$570	\$740	\$740

Custom sizes available - Use price from the next larger size. For example, 20"w x 12"h use pricing from the next larger size (24"w x 12"h).

Custom Fabric Upcharge: \$150 List handling fee. Customer required to purchase fabric COM (customer's own material).

Custom Color Frame upcharge: \$250/ product.

### 1. PRODUCT CODE



Code	Description
TSM	V-Series   Framed

### 2. MOUNT

These desk dividers use the traditional mounting base.

Code	Description
E1	Install desk divider along the edge of a 7/8" to 1 3/16" thick table using an Edge Clamp.
E2	Install desk divider along the edge of a 1 1/4" to 1 3/4" thick table using an Edge Clamp.
C1	Install desk divider across a surface of a 7/8" to 1 3/16" thick table using a Cross Clamp.
C2	Install desk divider across a surface of a 1 1/4" to 1 3/4" thick table using a Cross Clamp.
SM	Install desk divider across a surface or along the edge of a table using a Surface Mount.
JC	Install desk divider along the seams of two adjacent tables using a Joiner Clamp.

### 3. SURFACE

Code	Description
E	EVS
GG	Frosted Glass (Glass must be specified both sides.)
C	Natural Cork
F	Fabric
See <a href="#">page 12</a> for Egan Standard Fabric & a full list of available Grade A fabrics	

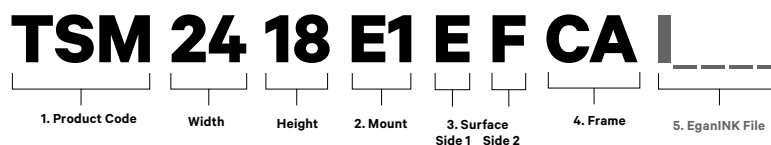
### 4. FRAME

Code	Description	Price
CA	Clear Anodized	\$ 0
CC	Custom Color	\$ 250

### 5. EGANINK

Specify EganINK on EVS. Please reach to [our team](#) for an [EganINK](#) quote with your custom art file.

### HOW TO ORDER



### WHAT'S IN THE BOX

For dry-erase surfaces, two (2) assorted color Dry-Erase Markers, and one (1) EganCloth

# Fabric Desk Divider

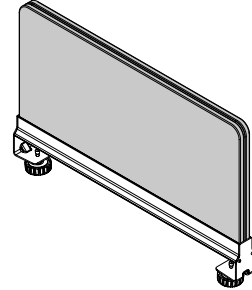
Fabric Desk Divider can be specified with a one infill/ material only. Pricing reflects costs for both sides.

Dimension	Tack   Standard Fabric	Tack   Grade A Fabric
24"w x 12"h	\$730	\$790
24"w x 14"h	\$760	\$830
24"w x 18"h	\$790	\$870
30"w x 12"h	\$760	\$860
30"w x 14"h	\$790	\$900
30"w x 18"h	\$830	\$940
36"w x 12"h	\$790	\$890
36"w x 14"h	\$820	\$920
36"w x 18"h	\$870	\$970
48"w x 12"h	\$900	\$1,010
48"w x 14"h	\$910	\$1,030
48"w x 18"h	\$980	\$1,090
60"w x 12"h	\$940	\$1,110
60"w x 14"h	\$970	\$1,130
60"w x 18"h	\$1,040	\$1,210
72"w x 12"h	\$1,010	\$1,200
72"w x 14"h	\$1,130	\$1,320
72"w x 18"h	\$1,200	\$1,380

Custom sizes available - Use price from the next larger size. For example, 20"w x 12"h use pricing from the next larger size (24"w x 12"h)  
 Custom Fabric Upcharge: \$150 List handling fee. Customer required to purchase fabric COM (customer's own material).

## 1. PRODUCT CODE

Code	Description
TSF	Fabric   Frameless



## 2. MOUNT

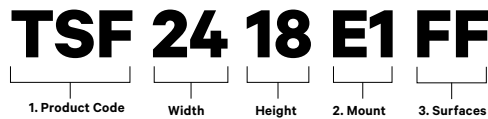
These desk divider use the traditional mounting base.

Code	Description
E1	Install desk divider along the edge of a 7/8" to 1 3/16" thick table using an Edge Clamp.
E2	Install desk divider along the edge of a 1 1/4" to 1 3/4" thick table using an Edge Clamp.
C1	Install desk divider across a surface of a 7/8" to 1 3/16" thick table using a Cross Clamp.
C2	Install desk divider across a surface of a 1 1/4" to 1 3/4" thick table using a Cross Clamp.
SM	Install desk divider across a surface or along the edge of a table using a Surface Mount.
JC	Install desk divider along the seams of two adjacent tables using a Joiner Clamp.

## 3. SURFACE

Code	Description
F	Fabric
See <a href="#">page 12</a> for Egan Standard Fabric & a full list of available Grade A fabrics	

## HOW TO ORDER



## Sliding Wall Systems

### ■ Dimension Slider Whiteboard

---

The Dimension Slider Whiteboard is a wall-mounted, magnetic whiteboard with a horizontal sliding mechanism. It glides smoothly over existing technology like TVs and monitors, allowing easy access without sacrificing wall space.

## Complete Wall Systems

### ■ Sliding Wall System Markerboards & Tackboards

---

Provide additional functionality to your Egan Wall System with Markerboards, Tackboards, all designed to integrate on the Egan track system for a fluid, dynamic and multi-purpose work area.

### ■ Sliding Wall System Lightweight Markerboards

---

The lightweight Sliding markerboard is reversible, offering double the work surface - and guaranteed-to-clean! The EVS™ surface hangs portrait or switches to landscape in seconds, with mounting options to suit every need. Incredibly lightweight, weighing as little as 3 1/2 lbs..

### ■ Lightweight Markerboard Accessories

---

Lightweight Markerboards ship with mounts need for use on a wall system. For added functionality and versatility, there are optional mount kits available.

### ■ Upper & Lower Track Options

---

Various Track options are available, providing the opportunity to create an Egan Wall that is tailored to your needs.

### ■ Wall System Shelving & Cabinets

---

Provide additional functionality to your Egan Wall System with Shelving and Cabinets, all designed to integrate on the Egan track system for a fluid, dynamic and multi-purpose work area.

# Dimension Slider Whiteboard

Dimension Slider is built using Dimension 13, DM13, boards (1/2" depth). Dimension 13 boards are cleat mounted to the wall and can be linked together, LINXX, to create presentation surfaces of varying widths. Dimension Slider Boards Rail Kits are designed to allow Dimension 13 Sliding Boards, DMS13, boards to slide smoothly over the face of the wall mounted DM13 boards.

When specifying boards, the front boards should conceal no more than 50% of the back boards. For example, a wall mounted Back Row equalling a width of 192", would have a Front Row of DMS13 boards totaling a width of 96".

Order boards in 3 steps,

Order wall mounted back row boards - order in LINXX configuration or as a single board.

Order rail kits. The rail kit amount should equal the total width of the wall mounted back row.

Order sliding front row boards (width of single or multiple boards should not exceed 50% of the total width of the back row.

## STEP 1

Wall Mounted Boards - Dimension 13 (1/2"d) (Back Row)	
Code: DMS13B	
48"w x 48"h	\$1,310
60"w x 48"h	\$1,430
72"w x 48"h	\$1,510
96"w x 48"h	\$1,700
120"w x 48"h	\$2,260

Custom sizes available - Select next larger size and add \$250 to list / item  
Boards can be ordered in a linked format. Add \$80 link kit. See page 11.

## STEP 2

Rail Kit		
Code: ACDMSRAILKIT		
48" (4 ft)	ACDMSRAILKIT-4	\$920
72" (6 ft)	ACDMSRAILKIT-6	\$1,270
96" (8 ft)	ACDMSRAILKIT-8	\$1,730
120" (10 ft)	ACDMSRAILKIT-10	\$2,070
144" (12 ft)	ACDMSRAILKIT-12	\$2,530

Order rail kit to equal total width of wall mounted back row boards.  
The rail kit amount should equal the total width of the wall mounted back row.  
Rail kits can be field cut and butt jointed to desired length.

## STEP 3

Sliding Boards (Front Row)	
Code: DMS13F	
24"w x 52"h	\$1,210
30"w x 52"h	\$1,380
36"w x 52"h	\$1,440
42"w x 52"h	\$1,590
48"w x 52"h	\$1,700

All sliding boards come with hardware needed to mount with the rail kit.

### WHAT'S IN THE BOX

Mounting hardware , (2) color Dry-Erase Markers, and One (1) EganCloth

Continued on next page.

# Dimension Slider Whiteboard

Using the Dimension LINXX configuration, Dimension Slider is built using Dimension 13 boards (1/2" depth). Dimension 13 is cleat mounted to the wall and linked together with an integrated sliding mechanism designed to allow hanging Dimension 13 boards to slide smoothly over the face of the wall mounted boards.

When specifying boards, the front boards should conceal no more than 50% of the back boards. For example, if installing the wall mounted back row that equal a length run of 192", you would specify a length of 96" for the front row (sliding boards).

1. PRODUCT CODE		3. EDGE COLOR		
Code	Description	Code	Description	Price
DMS13B	Dimension Slider - Back Row (wall mount boards)	WH	White	\$ 0
ACDMSRAILKIT	Rail Kit	CC	Custom Color	\$ 250
DMS13F	Dimension Slider - Front row (sliding boards)			

**2. LINXX Position** Note for back boards

## HOW TO ORDER

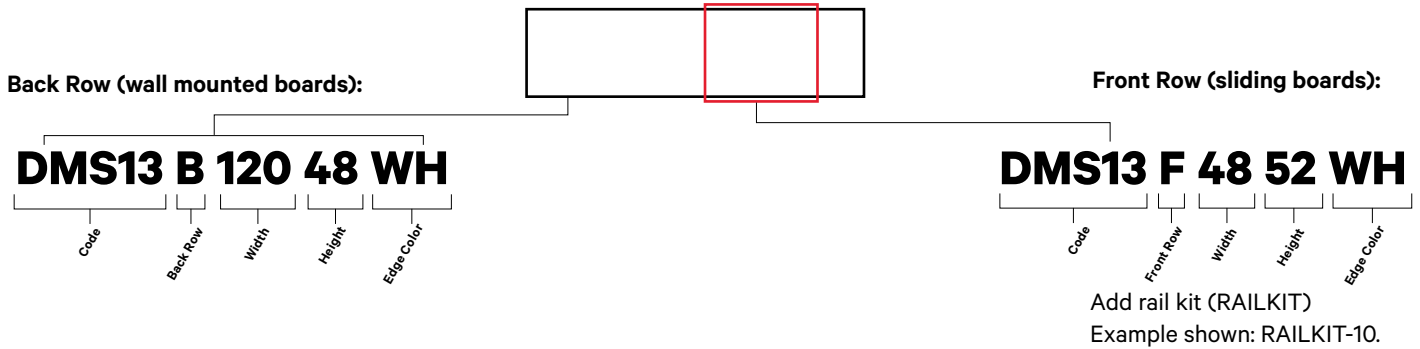
Order boards in 3 steps,

Order wall mounted back row boards - order in LINXX configuration or as a single board.

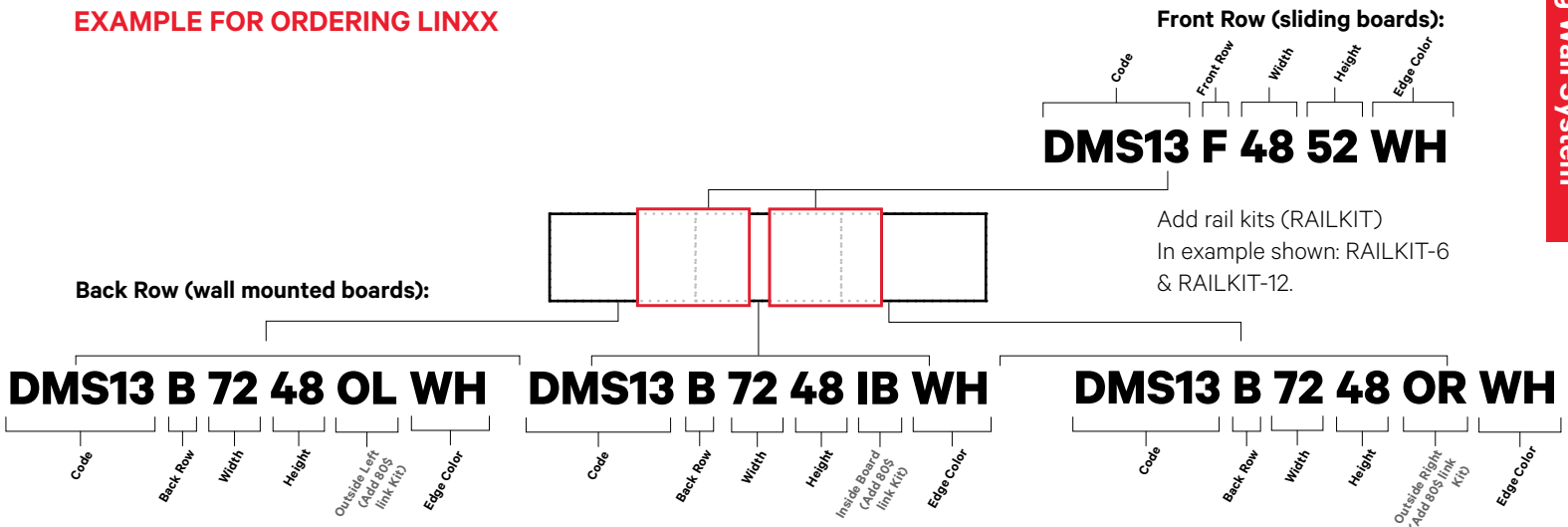
Order rail kits. The rail kit amount should equal the total width of the wall mounted back row.

Order sliding front row boards (width of single or multiple boards should not exceed 50% of the total width of the back row).

### EXAMPLE FOR ORDERING NON-LINXX (STANDARD BOARD)



### EXAMPLE FOR ORDERING LINXX



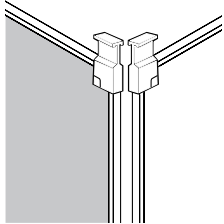
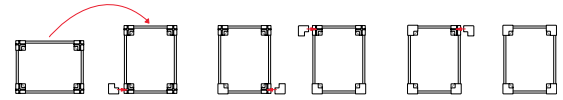
WHAT'S IN THE BOX	
	Mounting hardware , (2) color Dry-Erase Markers One (1) EganCloth

Sliding Wall System



# Sliding Wall System Markerboards & Tackboards

Double sided, removable markerboards and tackboards feature unique, adjustable corner mounts that slide on and off. This design permits boards to reconfigure easily - hang them in any orientation. Available with EVS™ or Porcelain surfaces.



	Code: EETB EVS / EVS	Code: EETB EVS / Fabric	Code: EETB EVS / Grade A	Code: EETB EVS / Cork	Code: EMTB Porcelain / Porcelain	Code: EMTB Porcelain / Fabric	Code: EMTB Porcelain / Grade A	Code: EMTB Porcelain / Cork
26" w x 48" h	\$570	\$630	\$740	\$740	-	-	-	-
36" w x 48" h	\$750	\$830	\$910	\$910	\$860	\$940	\$1,050	\$1,050
60" w x 48" h*	\$980*	-	-	-	\$1,060*	-	-	-
26" w x 54" h	\$590	\$650	\$760	\$760	-	-	-	-
36" w x 54" h	\$790	\$870	\$980	\$980	-	-	-	-

Table indicates price for 2 sides. Eg. Side 1: EVS / Side 2: Fabric.

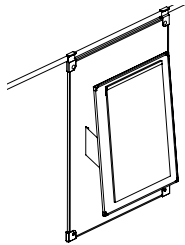
\*60x48 is not 2 sided and only specified with one side - EVS or Porcelain

Custom sizes available - Select next larger size and add \$250 to list / item

Custom Fabric Upcharge: \$150 List handling fee. Customer required to purchase fabric - COM (customer's own material).

EVS and Porcelain can not be specified in a combination together | Porcelain surface is not EganINK compatible

EVS and Porcelain writing surface are magnetic



Flipchart Dimensions	EVS	Porcelain
Permanently mounted to a 36" w x 48" h	\$1,530	\$1,560

Track mounting flipchart holds a 27" w x 34" h flipchart pad. One (1) flipchart pad included  
Flip chart Available in EVS (EETBFC) and Porcelain (EMTBFC).

## 1. PRODUCT CODE

Code	Description
<b>EETB</b>	Wall System EVS Whiteboard with dry-erase surface on at least one side
<b>EMTB</b>	Wall System Porcelain Whiteboard with dry-erase surface on at least one side

## 2. SURFACES

Code	Description
<b>EE</b>	Side 1: whiteboard writing surface / Side 2: whiteboard writing surface - The surface material is determined by code structure (EETB/EMTB)
<b>EF</b>	Side 1: whiteboard writing surface / Side 2: fabric or cork tackable surface - The surface material is determined by code structure (EETB/EMTB)

See [page 12](#) for Egan Standard Fabric & a full list of available Grade A fabrics

## 3. FRAME FINISHES

Code	Description	Price
<b>EM</b>	EganMetallic	\$0
<b>PY</b>	Putty	\$0
<b>CL</b>	Charcoal	\$0
<b>CC</b>	Custom Color	\$250

## 4. EGANINK

Specify EganINK on EVS. Please reach to [our team](#) for an [EganINK](#) quote with your custom art file.

## HOW TO ORDER

**EETB 36 48 EF EM 466014-018**

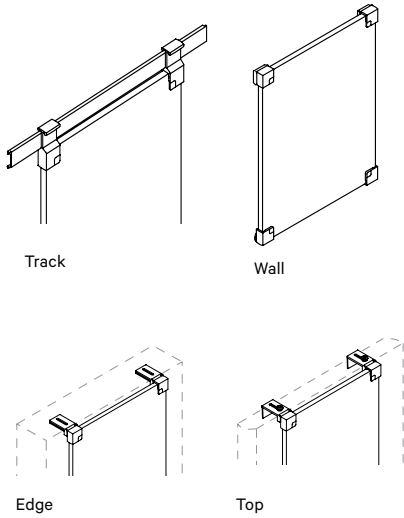
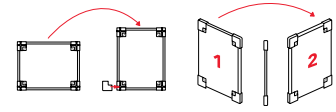
1. Product Code    Width    Height    2. Surface    3. Frame Finish    2. Grade A Fabric Selection (Maharam Fabric Pattern)

## WHAT'S IN THE BOX

For dry-erase surfaces, two (2) assorted color Dry-Erase Markers, and one (1) EganCloth

# Sliding Wall System Lightweight Markerboards

The lightweight Sliding markerboard is reversible, offering double the work surface - and guaranteed-to-clean! The EVS™ surface hangs portrait or switches to landscape in seconds, with mounting options to suit every need. Incredibly lightweight, weighing as little as 3 1/2 lbs.



### 1 Board

Dimensions	Track Mount	Wall Mount	Edge Mount	Top Mount
26"w x 36"h	\$440	\$440	\$440	\$440
36"w x 48"h	\$730	\$730	\$730	\$730

### 3 Board Bundle - Save up to \$147/ Board

Dimensions	Track Mount	Wall Mount	Edge Mount	Top Mount
26"w x 36"h	\$980	\$980	\$980	\$980
36"w x 48"h	\$1,750	\$1,750	\$1,750	\$1,750

### 5 Board Bundle - Save up to \$200/ Board

Dimensions	Track Mount	Wall Mount	Edge Mount	Top Mount
26"w x 36"h	\$1,600	\$1,600	\$1,600	\$1,600
36"w x 48"h	\$2,640	\$2,640	\$2,640	\$2,640

\* Track Corner Mounts are compatible with Egan Wall System boards

## 1. PRODUCT CODE

Code	Description
<b>EVB</b>	Sliding Wall System Lightweight Markerboards

## 2. MOUNT

Code	Description
<b>W</b>	Wall Mount
<b>E</b>	Edge Mount
<b>T</b>	Track Mount
<b>PA</b>	Top Mount - Narrow - 2"d to 3 3/16"d
<b>PB</b>	Top Mount - Medium - 3 3/16"d to 4 7/16"d
<b>PC</b>	Top Mount - Large - 4 7/16"d to 5 5/8"d

## 3. PACK QUANTITY

Code	Description
<b>1</b>	1 Board
<b>3</b>	3 Board Bundle
<b>5</b>	5 Board Bundle

## 4. EGANINK

Specify EganINK on EVS. Please reach to [our team](#) for an [EganINK](#) quote with your custom art file.

## HOW TO ORDER

**EVB 36 48 PA 5 I**

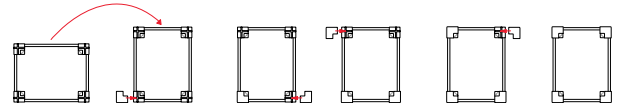
1. Product Code    2. Width    3. Height    4. Mount    5. Qty    6. EganINK File supplied by Egan

## WHAT'S IN THE BOX

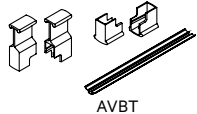
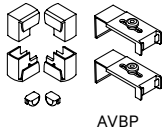
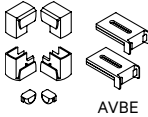
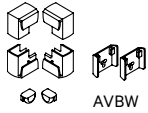
Ships with specified mount  
For dry-erase surfaces, two (2) assorted color Dry-Erase Markers, and one (1) EganCloth

# Lightweight Markerboard Accessories

Lightweight Markerboards ship with mounts specified. For added functionality and versatility, optional mount kits are available below.



## Additional Mount Kits



Track Mount	Dimensions	Description	Price
AVBT	N/A	Two Track corner mounts, two Track bumpers. Board not included. Compatible with Egan VersaBoards. Required for Glass (AVBG) and Magnetic Mount Kits (AVBM), wing bumper. Finished in EganMetallic (EM).	\$50

Wall Mount	Dimensions	Description	Price
AVBW	N/A	Two left and two right corner mounts, two rubber standoffs, two wall mount brackets. Restricted to 6 lb. max. weight load. VersaBoard not included. Finished in EganMetallic (EM).	\$50

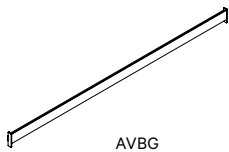
Edge Mount	Dimensions	Description	Price
AVBE	N/A	Two left and two right corner mounts, two rubber standoffs, two edge mount brackets. Restricted to 6 lb. max. weight load. VersaBoard not included. Finished in EganMetallic (EM).	\$50

Top Mount	Dimensions	Description	Price
AVBPA	2" to 3 3/16"	Two left and two right corner mounts, two rubber standoffs, two Top Mount assemblies. Specify size as per code. Restricted to 6 lb. max weight load. VersaBoard not included. Finished in EganMetallic (EM).	\$80
AVBPB	3 3/16" to 4 7/16"		\$80
AVBPC	4 7/16" to 5 5/8"		\$80

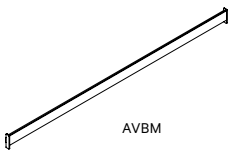
For Sliding Lightweight Markerboards only. Not compatible with Sliding Wall System Cabinets, Shelving, and Markerboards & Tackboards.

Adhesive-backed EganMetallic (EM) SystemTrack designed to support Sliding Lightweight Markerboards on glass windows, walls, or any smooth surface that will not accommodate a fastener. Sliding Lightweight Markerboards not included. Wall System products are too heavy for this application. For this type of installation, Sliding Lightweight Markerboards must be specified with Track Mount (AVBT) corners.

## Sliding Lightweight System Track Kits



Adhesive Mount	Dimension	Price
AVBG37	37" lengths	\$100
AVBG49	49" lengths	\$120



Magnetic backed 37" and 49" lengths of EganMetallic (EM) SystemTrack designed to support Sliding Lightweight Markerboards on metal-surfaces, such as panel systems, partitions or file cabinets. Sliding Lightweight Markerboards not included. EVS and Porcelain system boards are too heavy for this application. For this type of installation, Sliding Lightweight Markerboards must be specified with Track Mount (AVBT) corners. Magnetic Track is not strong enough to mount on the surface of glass and the adhesive version should be used.

Magnetic Mount	Dimension	Price
AVBM37	37" lengths	\$120
AVBM49	49" lengths	\$150

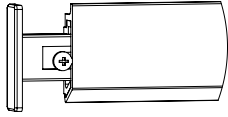
Note: These two unusual track options are designed for use with lightweight Track Mount Sliding Lightweight Markerboard ONLY and are restricted to a maximum 7 lb weight load.

Sliding Wall System

# Upper Track Options

EganSystem offers track components for optimum communication flexibility and simplicity all in one product line. The discreet linear track is wall mounted at 81" high. EganSystem components are then easily suspended from the track. End caps are included. EganSystem Upper Track is designed to work with a wide variety of track mounted products including markerboards, tackboards, shelving and cabinets.

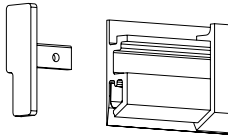
## SYSTEM TRACK - ST



Code	Description	Dimensions	Price
<b>EMST96</b>	SystemTrack. Includes end caps (EMTSEC). EganMetallic (EM).	96" (8ft.) lengths	\$150
<b>ESST96CL</b>	SystemTrack. Includes end caps (ACTSECCL). Charcoal (CL).	96" (8ft.) lengths	\$150
<b>ESST96PY</b>	SystemTrack. Includes end caps (ACTSECPY). Putty (PY).	96" (8ft.) lengths	\$150
<b>EMTSEC</b>	End Caps for SystemTrack. 1 pair. EganMetallic (EM).		\$10
<b>ACTSECCL</b>	End Caps for SystemTrack. 1 pair. Charcoal (CL).		\$10
<b>ACTSECPY</b>	End Caps for SystemTrack. 1 pair. Putty (PY).		\$10

• Egan SystemTrack can be field cut and butt-joined to desired length

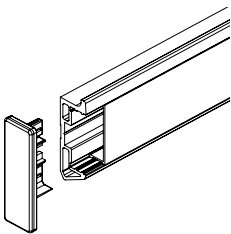
## GRIP TRACK - GT



Code	Description	Dimensions	Price
<b>EMGT96</b>	GripTrack. Includes end caps (EMTSECG). EganMetallic (EM).	96" (8ft.) lengths	\$210
<b>ESGT96CL</b>	GripTrack. Includes end caps (ACTSECGCL). Charcoal (CL).	96" (8ft.) lengths	\$210
<b>ESGT96PY</b>	GripTrack. Includes end caps (ACTSECGPY). Putty (PY).	96" (8ft.) lengths	\$210
<b>EMTSECG</b>	End Caps for GripTrack. 1 pair. EganMetallic (EM).		\$40
<b>ACTSECGCL</b>	End Caps for GripTrack. 1 pair. Charcoal (CL).		\$40
<b>ACTSECGPY</b>	End Caps for GripTrack. 1 pair. Putty (PY).		\$40

• A built-in paper holder is integrated into the mounting extrusion of the track to suspend flipchart sheets directly from the track  
 • Egan GripTrack can be field cut and butt-joined to desired length

## TACK RAIL - ESTR



Code	Description	Infill: Tackable Material	Infill: Cork
<b>ESTR96</b>	96" w Tack Rail with tackable infill. Clear Anodized (CA) aluminum rail finish. 1/4" tackable strip depth. Includes end caps (ACTSECTREM).	\$230	\$230
<b>ACTSECTREM</b>	End Caps for Tack Rail. 1 pair. EganMetallic (EM).	\$10	

## 2. INFILL CASING

Code	Description
<b>EM</b>	EganMetallic
<b>CL</b>	Charcoal

## INFILL OPTIONS

Code	Description
<b>T1</b>	Charcoal, Tackable Material
<b>K</b>	Natural Cork

## HOW TO ORDER

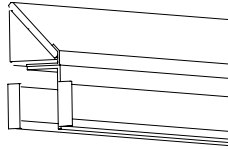
# ESTR 96 EM T1

1. Product Code      Width      2. Infill Casing Color      3. Infill Option

# Upper Track Options

Egan Tack Rail presents the opportunity to specify a tackable rail infill, permitting you to affix maps, photos, memos and more. This allows materials to be attached to the rail with the use of pins or tacks. A variety of tackable material colors are available as infill options or infill can also be installed in a convex orientation for a smooth, non-tackable finish.

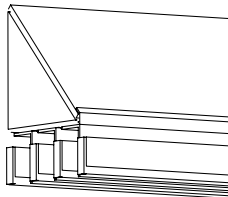
## TWIN TRACK - TT



Code	Description	Dimensions	Price
<b>EMTT120</b>	TwinTrack. Includes end caps in EganMetallic (EM).	120" (10ft.) lengths	\$1,170
<b>ESTT120CL</b>	TwinTrack. Includes end caps in Charcoal (CL).	120" (10ft.) lengths	\$1,170
<b>ESTT120PY</b>	TwinTrack. Includes end caps in Putty (PY).	120" (10ft.) lengths	\$1,170

- One track is mounted to the wall and one additional tracks are mounted on the TwinTrack assembly
- Ships with five (5) clear, impact-resistant bumper guides that attach to the bottom frame of the boards to act as a spacer. When optional EganSystem boards are lined up in front of each other, the spacer prevents movement when using the front panel
- These products are not compatible with TwinTrack due to size restrictions: EVPR, ESR, EMTBFC, ESSH, ESOC, EMSCR, ASCRTSRPS
- Egan TwinTrack may be factory cut to specific lengths. Contact Egan Sales.

## MULTI TRACK - MT



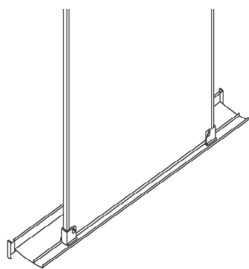
Code	Description	Dimensions	Price
<b>EMMT120</b>	MultiTrack. Includes end caps in EganMetallic (EM).	120" (10ft.) lengths	\$1,820
<b>ESMT120CL</b>	MultiTrack. Includes end caps in Charcoal (CL).	120" (10ft.) lengths	\$1,820
<b>ESMT120PY</b>	MultiTrack. Includes end caps in Putty (PY).	120" (10ft.) lengths	\$1,820

- One track is mounted to the wall and three additional tracks are mounted on the MultiTrack assembly
- Ships with nine (9) clear, impact-resistant bumper guides that attach to the bottom frame of the boards to act as a spacer. When optional EganSystem boards are lined up in front of each other, the spacer prevents movement when using the front panel
- These products are not compatible with MultiTrack due to size restrictions: EVPR, ESR, EMTBFC, ESSH, ESOC, EMSCR, ASCRTSRPS
- Egan MultiTrack may be factory cut to specific lengths. Contact Egan Sales.

# Lower Track Options

Typically mounted at 29" h from the floor, an EganSystem Lower Track can support a variety of functional accessories. The Versa Presentation Rail (EVPR) is a handy lower-track solution designed to support presentation material including VersaBoard and EganSystem Boards, sold separately. A Reference Shelf (ESR) can be positioned at any location along the lower track to hold reference material. Also available as an accessory to existing track installations.

Sliding Wall System



Description	Price
36" w x 5" d Presentation Rail complete with Track. Clear Anodized (CA) finish.	\$ 190
36" w x 5" d Presentation Rail only. Clear Anodized (CA) finish.	\$ 140
48" w x 5" d Presentation Rail complete with Track. Clear Anodized (CA) finish.	\$ 230
48" w x 5" d Presentation Rail only. Clear Anodized (CA) finish.	\$ 160
60" w x 5" d Presentation Rail complete with Track. Clear Anodized (CA) finish.	\$ 260
60" w x 5" d Presentation Rail only. Clear Anodized (CA) finish.	\$210

Custom sizes available - Select next larger size and add \$150 to list / item

### 1. PRODUCT CODE

Code	Description
<b>EVPR</b>	Versa Presentation Rail with Track
<b>EVPK</b>	Versa Presentation Rail only

### HOW TO ORDER

# EVPR 36

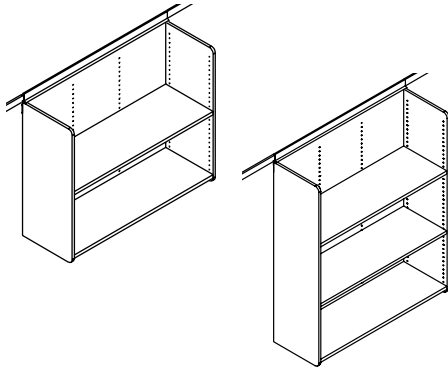
1. Product Code      Width

### WHAT'S IN THE BOX

- Two (2) assorted color Dry-Erase Markers
- One (1) EganCloth

# Wall System Shelving

Wall System Office Shelving is a unique track solution designed with a continuous track hanger that runs across the width of the product to evenly distribute weight to safely support the shelves and cabinets. The hanger slides easily across the track for quick, simple re-configuration.



Dimensions	Price	Notes	
One fixed shelf (not shown)			
36" w x 16" h x 12 1/2" d	\$680	<ul style="list-style-type: none"> <li>Shelves adjustable on 1 1/4" centers, bottom shelf fixed</li> <li>Supported from recommended 81" high SystemTrack or GripTrack</li> <li>Shelves can be repositioned anywhere along the track</li> <li>Orders for under six (6) units are shipped 'knocked-down', assembly required</li> </ul>	
42" w x 16" h x 12 1/2" d	\$720		
48" w x 16" h x 12 1/2" d	\$790		
One fixed, one adjustable shelf			
36" w x 29" h x 12 1/2" d	\$820		
42" w x 29" h x 12 1/2" d	\$860		
48" w x 29" h x 12 1/2" d	\$930		
One fixed, two adjustable shelves			
36" w x 43" h x 12 1/2" d	\$980		
42" w x 43" h x 12 1/2" d	\$1,020		
48" w x 43" h x 12 1/2" d	\$1,090		

Custom sizes available - Select next larger size and add \$250 to list / item

## 1. PRODUCT CODE

Code	Description
<b>ESSH</b>	Wall System Sliding Shelf

## 2. SHELVES

Code	Description
<b>1</b>	1 Fixed Shelf
<b>2</b>	1 Fixed, 1 Adjustable Shelf
<b>3</b>	1 Fixed, 2 Adjustable Shelves*

\*Shelf quantity pre-determined by size.

## 3. SHELF FINISH

EganMetallic	Black	Charcoal	Gray	Platinum	Putty	Sand	Slate	Taupe
EM	BL	CL	GR	PT	PY	SN	SL	TA

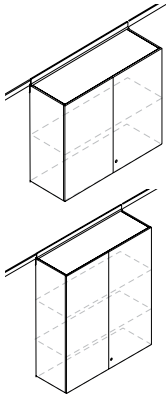
## HOW TO ORDER

**ESSH 42 2 PT**

1. Product Code      Width      2. Shelves      3. Shelf Finish

# Wall System Cabinets

Wall System Office Shelf Cabinets are designed with a continuous track hanger that runs across the width of the product to evenly distribute weight to safely support the shelves and cabinets. The hanger slides easily across the track for quick, simple re-configuration. The entire line is ideal for office environments, providing utility on the wall, without compromising floor space.



Dimensions	Code: ESOC Etex Doors	Code: ESOC Wood Doors
<b>One fixed, one adjustable shelf, two doors</b>		
36" w x 29" h x 12 1/2" d	\$1,180	\$1,450
<b>One fixed, two adjustable shelves, two doors</b>		
36" w x 43" h x 12 1/2" d	\$1,380	\$1,650

Custom sizes available - Select next larger size and add \$250 to list / item

- <sup>1</sup> Available on doors only
- Shelves adjustable on 1 1/4" centers, bottom shelf fixed. Honeycomb substrate doors have three-way adjustable hinges
  - Cabinet Lock included. Key is packaged, taped to the bottom shelf of the cabinet

### 1. PRODUCT CODE

Code	Description
<b>ESOC</b>	Wall System Sliding Cabinet

### 2. TOTAL SHELVES

Code	Description
<b>2</b>	1 Fixed Shelf, 1 Adjustable Shelf
<b>3</b>	1 Fixed, 2 Adjustable Shelf, 2 Doors

Shelf quantity pre-determined by size.

### 3. BODY FINISH ETEX

EganMetallic \$0	Black \$0	Charcoal \$0	Gray \$0	Platinum \$0	Putty \$0	Sand \$0	Slate \$0	Taupe \$0	Custom Color \$250
EM	BL	CL	GR	PT	PY	SN	SL	TA	CC

### 4. DOOR FINISH

Wood Stains: Doors Only		
Code	Description	Price
<b>HS</b>	Haystack	\$ 0
<b>WL</b>	Woodland	\$ 0
<b>DW</b>	Driftwood	\$ 0
<b>BB</b>	Barnboard	\$ 0
<b>CB</b>	Carbon	\$ 0
<b>NA</b>	Natural	\$ 0
<b>CS</b>	Custom Stain	\$ 300

Etex Color Options: Doors Only		
Code	Description	Price
<b>EM</b>	EganMetallic	\$ 0
<b>BL</b>	Black	\$ 0
<b>CL</b>	Charcoal	\$ 0
<b>GR</b>	Gray	\$ 0
<b>PT</b>	Platinum	\$ 0
<b>PY</b>	Putty	\$ 0
<b>SN</b>	Sand	\$ 0
<b>SL</b>	Slate	\$ 0
<b>TA</b>	Taupe	\$ 0
<b>CC</b>	Custom Color	\$ 250

### HOW TO ORDER

# ESOC 36 2 EM DW

1. Product Code      Width      2. Shelves      3. Finish Body / Shelf      4. Finish Door

## Presentation Cabinets

### ■ Boxcore Whiteboard Cabinet & Enclosed Glassboard Cabinet

Boxcore Cabinets utilizes the Boxcore design and offers increased functionality and a modern design aesthetic with new front-of-cabinet surface options for additional work space, tacked notes, or even custom graphics. Door front infill can be specified in EVS™ (magnet-compatible), Tackable Fabric, GlassWrite. The body of the cabinet shows Boxcore frame, and features an EVS dry-erase guaranteed-to-clean writing surface, also magnet and projection compatible. Egan Boxcore technology brings crisp edge definition and durability, emphasizing the cabinet's clean lines and modern appearance.



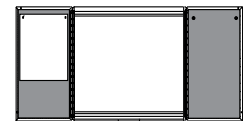
### ■ Dimension Dry-Erase Cabinet

Dimension Cabinet, formerly known as the Versa Cabinet, is a redesign of the original Presentation Cabinet that Egan Visual introduced over 40 years ago. Designed to handle modern applications like data projection, this product also meets the highest design aesthetics. Featuring EVS™ in 77" w x 48" h (16:10 format) or 60" w x 48" h and 48" w x 42" h sizes for dry-erase and projection applications. Cabinet interiors are equipped with tackable EganFabric panel(s) and a flipchart with tearbar which may be suspended from either door. Offered with Wood/Custom Stain or Etex/Custom Color doors.



### ■ Enclosed Etex Whiteboard Cabinet

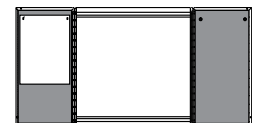
Choose high-performance EVS™ or Porcelain, housed in a full featured Etex Color Cabinet. Etex coatings are impregnated with polystyrene particles, providing a very durable finish. Etex has a slight texture, hides fingerprints, and is easily maintained. Cabinet interiors are equipped with tackable EganFabric panel(s) and a flipchart with tearbar which may be suspended from either door.



CAPX, CEXB, CABX

### ■ Enclosed Wood Whiteboard Cabinet

Choose high-performance EVS™ surface or Porcelain, housed in a finely crafted wood cabinet. Hand selected, solid hardwoods and wood stains in the species of your choice. Cabinet interiors are equipped with tackable EganFabric panel(s) and a flipchart with tearbar which may be suspended from either door.



CEWR, CARW, CEWB, CABW, CEWT, CATW



# Boxcore Whiteboard Cabinet

Dimensions	EVS Code: CEEB	GlassWrite MAG Code: CEGMB	Tack   EzoBord Code: CEEB	Tack   Standard Fabric Code: CEEB	Tack   Grade A Fabric Code: CEEB
24" w x 36" h x 3" d	\$1,210	\$1,720	\$1,280	\$1,330	\$1,570
48" w x 42" h x 3" d	\$2,320	\$2,820	\$2,430	\$2,570	\$2,950
60" w x 48" h x 3" d	\$2,550	\$4,050	\$2,710	\$2,850	\$3,380
77" w x 48" h x 3" d	\$2,960	\$4,730	\$3,110	\$3,250	\$3,780

COM (customer's own material) Upcharge: \$150 List handling fee. Customer required to purchase fabric  
 24x36 model has only one door that mounts to open left or right  
 EVS surface is Magnet Compatible, GlassWrite MAG is NeoMagnet.  
 Uses the Boxcore 29mm frame depth

## 1. PRODUCT CODE

Code	Description
<b>CEEB</b>	Boxcore 29mm   EVS or Tack
<b>CEGMB</b>	Boxcore 29mm   GlassWrite

## 2. BODY FINISH

Code	Description
<b>CA</b>	Clear Anodized
<b>BL</b>	Black
<b>WH</b>	White

## 3. DOOR SURFACE FINISH

Door Front CEEB Finish Options

Code	Description
<b>E</b>	EVS
<b>T</b>	EzoBord
<b>F</b>	Fabric
See <a href="#">page 12</a> for a full list of EzoBord colors, standard fabrics, and Grade A fabrics	

Door Front CEGMB Finish Options

Code	Description
<b>WH</b>	Glass   White
<b>IP</b>	Glass   Infinite Color Program Visit <a href="http://egan.com">egan.com</a> or <a href="http://pantone.com">pantone.com</a> for colors. Backpainted glass only.
<b>CC</b>	Custom Color

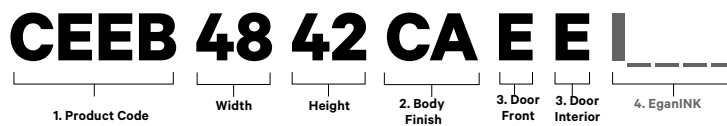
Door Interior for CEEB & CEGMB

Code	Description
<b>E</b>	EVS

## 4. EGAN INK

Specify EganINK on EVS or Glass. Please reach to [our team](#) for an [EganINK](#) quote with your custom art file.

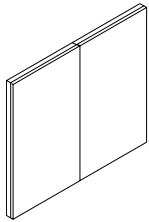
## HOW TO ORDER



## WHAT'S IN THE BOX

Ships with specified mount  
 Two (2) assorted color Dry-Erase Markers  
 One (1) EganCloth

# Dimension Dry-Erase Cabinet



	Door Etex		Door Wood Stain	
	Interior Door Standard Fabric	Interior Door Grade A Fabric	Interior Door Standard Fabric	Interior Door Grade A Fabric
48"w x 42"h	\$2,290	\$2,510	\$3,340	\$3,560
60"w x 48"h	\$2,550	\$2,770	\$3,600	\$3,820
77"w x 48"h*	\$3,260	\$3,480	\$4,310	\$4,530

\* Optimized for projection aspect ratio | Interior Doors: Cork and EVS not available  
COM (customer's own material) Upcharge: \$150 List handling fee. Customer required to purchase fabric

## 1. PRODUCT CODE

Code	Description
CE2	Dimension Cabinet   EVS

## 2. BODY FINISH

Code	Description
A	Clear Anodized
B	Black Anodized

## 3. DOOR FINISH

Etex Color Options: Doors Only	
Code	Description
EM	EganMetallic
BL	Black
CL	Charcoal
GR	Gray
PT	Platinum
PY	Putty
SN	Sand
SL	Slate
TA	Taupe
CC	Custom Stain

Wood Stains: Doors Only		
Code	Description	Price
HS	Haystack	\$ 0
WL	Woodland	\$ 0
DW	Driftwood	\$ 0
BB	Barnboard	\$ 0
CB	Carbon	\$ 0
NA	Natural	\$ 0
CS	Custom Stain	\$ 300

## 4. OPTIONS

Code	Description	Price
F	2nd Flipchart with TearBar	\$100
L	Keyed Security Lock	\$130

## 5. FABRIC

See [page 12](#) for a full list of standard fabrics and Grade A fabrics

## 6. EGAN INK

Specify EganINK on EVS. Please reach to [our team](#) for an [EganINK](#) quote with your custom art file.

## HOW TO ORDER

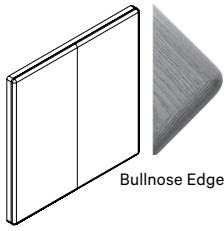
**CE2 A 60 48 DW FL 463490-001 I**

1. Product Code	2. Body Finish	Width	Height	3. Door Finish	4. Option	5. Fabric	6. EganINK
-----------------	----------------	-------	--------	----------------	-----------	-----------	------------

## WHAT'S IN THE BOX

Ships with specified mount, Two (2) assorted color Dry-Erase Markers, One (1) EganCloth

# Enclosed Etex Whiteboard Cabinet



	Center Panel EVS Code: CEXB		Center Panel Porcelain Code: CABX	
	Interior Door Standard Fabric	Interior Door Grade A Fabric	Interior Door Standard Fabric	Interior Door Grade A Fabric
24"w x 36"h	\$1,600	\$1,750	\$1,710	\$1,860
48"w x 32"h	\$2,410	\$2,560	\$2,570	\$2,720
48"w x 48"h	\$2,890	\$3,080	\$3,210	\$3,400
72"w x 48"h	\$3,850	\$4,040	\$4,230	\$4,420

24x36 model has only one door that mounts to open left or right | Porcelain is not EganINK Compatible Custom Fabric COM (customer's own material) Upcharge: \$150 List handling fee. Customer required to purchase fabric

## 1. PRODUCT CODE

Code	Description
<b>CEXB</b>	Bullnose   EVS
<b>CABX</b>	Bullnose   Porcelain

## 3. FINISH

Code	Description
<b>EM</b>	EganMetallic
<b>BL</b>	Black
<b>CL</b>	Charcoal
<b>GR</b>	Gray
<b>PT</b>	Platinum
<b>PY</b>	Putty
<b>SN</b>	Sand
<b>SL</b>	Slate
<b>TA</b>	Taupe
Custom Color Add \$ 250 to list, per item	

## 2. SIZES

Code	Sizes
<b>24</b>	24"w x 36"h
<b>32</b>	48"w x 32"h
<b>48</b>	48"w x 48"h
<b>72</b>	72"w x 48"h

## 4. OPTIONS

Code	Option	Sizes	Price	Description
<b>F</b>	Flipchart	32 48 72	\$100	2nd flipchart with tearbar. The 2nd flipchart is not available on 24"w (24) cabinets.
<b>L</b>	Lock	ALL	\$130	Security lock.
<b>D</b>	Writing Surface Door Inserts	24 32 48 72	\$160 \$250 \$300 \$390	Porcelain or EVS to match surface specified for base cabinet. Flipcharts not available with this option. Not available for Rectilinear Edge Etex Cabinet (CAPX and non-boxcore CE2). Option available only when specified on both doors.

## 5. EGAN INK

Specify EganINK on EVS. Please reach to [our team](#) for an [EganINK](#) quote with your custom art file.

## HOW TO ORDER

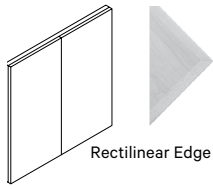
**CEXB 48 EM LF I \_\_\_\_\_**

1. Product Code      2. Size      3. Finish      4. Option      5. EganINK

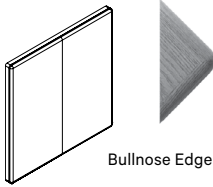
## WHAT'S IN THE BOX

Ships with specified mount  
Two (2) assorted color Dry-Erase Markers  
One (1) EganCloth

# Enclosed Wood Whiteboard Cabinet



		EVS Center Panel Code: CEWR		Porcelain Center Panel Code: CARW	
		Tack Panel Standard Fabric	Tack Panel Grade A	Tack Panel Standard Fabric	Tack Panel Grade A
24"w x 36"h		\$1,890	\$2,040	\$2,020	\$2,170
48"w x 32"h		\$2,700	\$2,865	\$2,630	\$2,780
48"w x 48"h		\$3,460	\$3,650	\$3,820	\$4,010
72"w x 48"h		\$4,550	\$4,740	\$5,000	\$5,190



		EVS Center Panel Code: CEWB		Porcelain Center Panel Code: CABW	
		Tack Panel Standard Fabric	Tack Panel Grade A	Tack Panel Standard Fabric	Tack Panel Grade A
24"w x 36"h		\$2,070	\$2,220	\$2,195	\$2,525
48"w x 32"h		\$3,310	\$3,460	\$3,510	\$5,265
48"w x 48"h		\$3,770	\$3,960	\$4,000	\$4,600
72"w x 48"h		\$4,950	\$5,140	\$5,250	\$6,040

### 1. PRODUCT CODE

Code	Description
<b>CEWR</b>	Rectilinear   EVS
<b>CARW</b>	Rectilinear   Porcelain
<b>CEWB</b>	Bullnose   EVS
<b>CABW</b>	Bullnose   Porcelain

### 2. SIZES

Code	Sizes
<b>24</b>	24"w x 36"h
<b>32</b>	48"w x 32"h
<b>48</b>	48"w x 48"h
<b>72</b>	72"w x 48"h

### 3. FINISH

Code	Description	Price
<b>HS</b>	Haystack	\$ 0
<b>WL</b>	Woodland	\$ 0
<b>DW</b>	Driftwood	\$ 0
<b>BB</b>	Barnboard	\$ 0
<b>CB</b>	Carbon	\$ 0
<b>NA</b>	Natural	\$ 0
<b>CS</b>	Custom Stain	\$ 300

### OPTIONS

Code	Option	Sizes	Price	Description
<b>F</b>	Flipchart	32   48   72	\$100	2nd flipchart with tearbar. The 2nd flipchart is not available on 24"w cabinets.
<b>L</b>	Lock	ALL	\$130	Security lock.
<b>D</b>	Writing Surface Door Inserts	24 32 48 72	\$160 \$250 \$300 \$390	EganBoard Porcelain or EVS to match surface specified for base cabinet. Flipcharts not available with this option. Not available for Rectilinear Edge Etex Cabinet (CAPX and non-boxcore CE2). Option available only when specified on both doors.
Custom Logo			Inquire*	

### HOW TO ORDER

**CEWB 48 HS LF**



**CEWB 48 HS E\_\_\_ LF**



## Accessories

### ■ VersaPalette

---

Take dry-erase, guaranteed-to-clean EVS surface with you everywhere. VersaPalette is a handy, lightweight dry-erase surface with a handy thumbhole for an easy grip, handling, and hanging. With a double-sided EVS surface, VersaPalette may also be used as a simple and quick privacy tablescreen, as well as professional temporary signage and wayfinding.

### ■ Trays

---

**EganAero Marker Tray:** A sleek 1" marker tray designed to complement the minimalist design of the EganAero family of products. EganAero tray is offered with an adhesive mount.

**EganONE Tray:** The EganONE tray is available with an adhesive mount, for non magnetic surfaces, or a neo-magnet mount, for use with all magnetic surfaces. The 2" deep design accommodates 2 rows of markers and provides an attachment point for the new Egan Cloth.

### ■ Dry Erase Markers

---

High quality dry-erase markers available in assorted colors.

### ■ EganCloth

---

The EganCloth effectively traps dust and grime while being hypoallergenic and gentle on surfaces. It comes with an integrated neo-magnet that is compatible with all magnetic surfaces. Reusable and easy to clean, the EganCloth can be washed by machine or by hand, but should not be laundered with other materials.

### ■ Egan NeoMagnet

---

NeoMagnets, made from rare earth magnets, are ten times stronger than conventional magnets. Their superior strength provides enhanced magnetic force and stability for a wide range of applications.

### ■ Grips & Tearbars

---

### ■ Mount Brackets

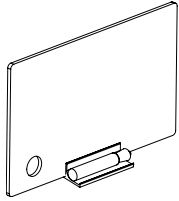
---

# Accessories

Take dry-erase, guaranteed-to-clean EVS™ surface with you everywhere. VersaPalette™ is a handy, lightweight dry-erase surface with a handy thumbhole for an easy grip, handling, and hanging. With a double-sided EVS surface, VersaPalette may also be used as a simple and quick privacy tablescreen, as well as professional temporary signage and wayfinding.

Standard sizes include Letter, Legal, Wide Legal and Tabloid. VersaPalette is not magnet-compatible. Surface warranty is standard 10 years. Product warranty is 30 days. Damage not covered. Product edge is not dry-erase and not covered under warranty. EganINK™ compatible.

### Versa Palette



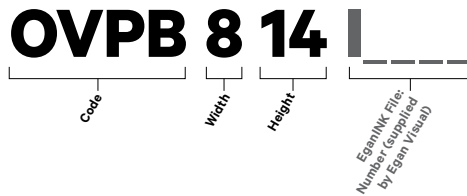
Code	Dimensions	Description	Price
<b>OVPB8X11</b>	8 1/2"w x 11"h	10 pack	\$630
<b>OVPB8X14</b>	8 1/2"w x 14"h	10 pack	\$720
<b>OVPB1114</b>	11"w x 14"h	10 pack	\$800
<b>OVPB1117</b>	11"w x 17"h	10 pack	\$870

### VersaPalette Stand

VersaPalette Stand is designed to hold and display your VersaPalette (of any standard size). Use as simple, quick privacy tablescreen, name placard, or temporary signage and wayfinding. Clear Anodized (CA) aluminum finish with a non-skid base. Integrated Marker Tray. Sold in sets of five (5).

Code	Dimensions	Price
<b>OVPS</b>	4 1/2"w stand for VersaPalette. 5-pack.	\$ 290

### HOW TO ORDER



### WHAT'S IN THE BOX

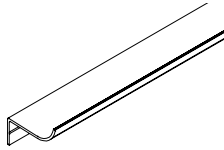
- Ten (10) Versa Palette Bundle
- One (1) Versa Palette Stand
- Two (2) assorted color Dry-Erase Markers
- One (1) EganCloth

### NOTES

- Sizes cannot be mixed to make a 10-pack
- Custom sizes larger than Tabloid may be available. Call Customer Service to inquire
- Custom shapes are available subject to spot quotation of price, MOQ, and lead time.
- Custom hole location is available subject to spot quotation of price, MOQ, and lead time
- Volume discounting available. Call Customer Service to inquire
- VersaPalette is available in EVS only.
- Standard edge color is light gray. Other edge colors are available under Custom Response program

# Trays

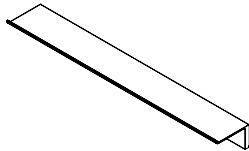
## EganAero Marker Tray



A sleek 1" marker tray designed to complement the minimalist design of the EganAero family of products. EganAero tray is offered with an adhesive mount.

Code	Description	Price
<b>ACEAT12</b>	EganAero Marker Tray. 12"w. 1"d. Ships with two (2) assorted color Dry-Erase markers and one (1) EganCloth.	\$90
<b>ACEAT24</b>	EganAero Marker Tray. 24"w. 1"d. Ships with four (4) assorted color Dry-Erase markers and one (1) EganCloth.	\$120
<b>ACEAT12-12</b>	EganAero Marker Tray. 12"w. 1"d. 12-pack. Ships with twenty-four (24) assorted color Dry-Erase markers and twelve (12) EganCloths.	\$620
<b>ACEAT24-12</b>	EganAero Marker Tray. 24"w. 1"d. 12-pack. Ships with forty-eight (48) assorted color Dry-Erase markers and twelve (12) EganCloths.	\$940

## Egan ONE Tray



The Egan ONE tray is available with an adhesive mount, for non magnetic surfaces, or a neo-magnet mount, for use with all magnetic surfaces. The 2" deep design accommodates 2 rows of markers and provides an attachment point for the new Egan Cloth.

Code	Description	Dimensions	Price
<b>ACEOT12M</b>	Magnetic Mount	12"w x 1-3/8"h x 2"d	\$150
<b>ACEOT12A</b>	Adhesive Mount	12"w x 1-3/8"h x 2"d	\$150
<b>ACEOT24M</b>	Magnetic Mount	24"w x 1-3/8"h x 2"d	\$180
<b>ACEOT24A</b>	Adhesive Mount	24"w x 1-3/8"h x 2"d	\$180
<b>ACEOT36M</b>	Magnetic Mount	36"w x 1-3/8"h x 2"d	\$200
<b>ACEOT36A</b>	Adhesive Mount	36"w x 1-3/8"h x 2"d	\$200
<b>ACEOT48M</b>	Magnetic Mount	48"w x 1-3/8"h x 2"d	\$220
<b>ACEOT48A</b>	Adhesive Mount	48"w x 1-3/8"h x 2"d	\$220
<b>ACEOT60M</b>	Magnetic Mount	60"w x 1-3/8"h x 2"d	\$260
<b>ACEOT60A</b>	Adhesive Mount	60"w x 1-3/8"h x 2"d	\$260
<b>ACEOT72M</b>	Magnetic Mount	72"w x 1-3/8"h x 2"d	\$270
<b>ACEOT72A</b>	Adhesive Mount	72"w x 1-3/8"h x 2"d	\$270
<b>ACEOT77M</b>	Magnetic Mount	77"w x 1-3/8"h x 2"d	\$280
<b>ACEOT77A</b>	Adhesive Mount	77"w x 1-3/8"h x 2"d	\$280
<b>ACEOT82M</b>	Magnetic Mount	82"w x 1-3/8"h x 2"d	\$290
<b>ACEOT82A</b>	Adhesive Mount	82"w x 1-3/8"h x 2"d	\$290
<b>ACEOT96M</b>	Magnetic Mount	96"w x 1-3/8"h x 2"d	\$320
<b>ACEOT96A</b>	Adhesive Mount	96"w x 1-3/8"h x 2"d	\$320
<b>ACEOT120M</b>	Magnetic Mount	120"w x 1-3/8"h x 2"d	\$360
<b>ACEOT120A</b>	Adhesive Mount	120"w x 1-3/8"h x 2"d	\$360

Custom sizes available

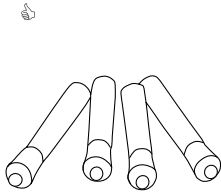
Tray can be mounted through an Adhesive or NeoMagnet mount.

Ships with 2 markers and the EganCloth

# Dry-Erase Accessories

A whiteboard is not just a whiteboard when you combine the dust-free whiteboarding materials listed below. Egan's EVS™ surface, Dry-Erase Markers and EganCloth™ provide a guaranteed-to-clean dry-erase solution.

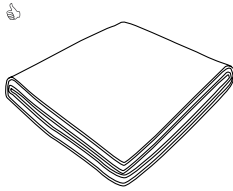
## Dry-Erase Markers



High quality Dry-Erase markers. Assorted colors. One dozen (12).

Code	Description	Price
<b>ACDZ</b>	Assorted color Dry-Erase Markers. Three (3) of each color.	\$50
<b>ACDZGR</b>	Green Dry-Erase Markers.	\$50
<b>ACDZRE</b>	Red Dry-Erase Markers.	\$50
<b>ACDZBLUE</b>	Blue Dry-Erase Markers.	\$50
<b>ACDZBL</b>	Black Dry-Erase Markers.	\$50
<b>ACDZRB</b>	Six (6) Red + six (6) Black Dry-Erase Markers.	\$50

## EganCloth (magnetic mount)



Attracts dry-erase dust like a magnet. No need for special cleaning solutions. Easy to use and clean. Traps dust and grime. Hypo-allergenic and non-abrasive. Integrated neo-magnet that is compatible with all magnetic surfaces. EganCloth is a reusable product. Machine or hand washable. Do not wash with other materials.

Code	Description	Price
<b>EVEC12M</b>	EganCloth (12" x 8") 12-pack	\$100
<b>EVEC24M</b>	EganCloth (12" x 8") 24-pack	\$180

## Egan NeoMagnet



Code	Description	Price
<b>ACEAMAG4</b>	Rare-Earth Magnet. 7/8" diameter. 9/16"d. Box of four (4). Assorted color.	\$130

## EganMount



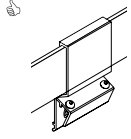
The EganMount is a 7/8" x 7/8" steel plate with an adhesive back, which will provide a mounting location for the new Egan Cloth. The EganMount can be installed on boards, walls, and is available in a 10 pack.

Code	Description	Price
<b>ACEM10</b>	EganMount 7/8"x7/8" self adhesive metal logo designed to accept the new magnetic EganCloth on non magnetic surfaces 10-pack	\$110



# Grips & Tearbars

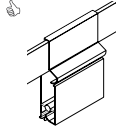
## EganSystem Track Mount - Friction Grip



Code	Description	Price
<b>ESFG6</b>	1 1/2"w and holds single flipchart sheets. Available finishes are EganMetallic (EM), Putty (PY), and Charcoal (CL). 6 pack	\$170

- Designed for use with EganSystem 202 Upper Track
- For Custom Color - Please contact sales for a quote.

## EganSystem Track Mount - Variable Tension Grip



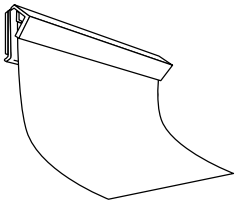
Code	Length	Description	Price
<b>ESVS</b>	3"	Holds paper or Boards up to 1/4" thick. Finishes: EganMetallic (EM), Putty (PY), and Charcoal (CL).	\$80
<b>ESVL</b>	10"		\$100

- Designed for use with EganSystem 202 Upper Track
- For Custom Color - Please contact sales for a quote.

## EganGrip



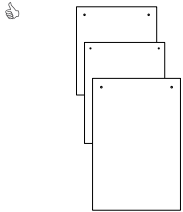
Display flipchart sheets and more by simply pushing paper up into the gravity-fed roller. To remove sheet, simply curl up and out. Standard finish is brushed Clear Anodized (CA) aluminum.



Code	Mount Options					Size
	Magnetic (M)	Adhesive (A)	Plate (P)	Top (T)	System (S)	
<b>G_21.5</b>	\$90	\$90	\$90	\$140	\$150	21 1/2"
<b>G_33.5</b>	\$110	\$110	\$110	\$160	\$170	33 1/2"
<b>G_45.5</b>	\$130	\$130	\$130	\$180	\$190	45 1/2"
<b>G_57.5</b>	\$140	\$140	\$140	\$190	\$200	57 1/2"
<b>G_69.5</b>	\$170	\$170	\$170	\$220	\$230	69 1/2"
<b>G_93.5</b>	\$200	\$200	\$200	\$250	\$260	93 1/2"

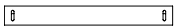
- For Custom Color - Please contact sales for a quote.

## Flipcharts, box of 5



Code	Description	Price
<b>ACFL20225</b>	20"w x 22 1/2"h for 48" x 32" cabinets	\$170
<b>ACFL20305</b>	20"w x 30"h for all other cabinets	\$180
<b>ACFL27345</b>	27"w x 33"h for Flipchart Assembly (EETBFC)	\$260

## Fixed Tearbars



Code	Description	Price
<b>ACTBAR</b>	27"w for Flipchart Assembly (EETBFC, EMTBFC)	\$110
<b>ACCBAR</b>	20"w for Flipchart Assembly for EganCabinets (inside door) (CEWR, CARW, CEWB, CABW, CEWT, CATW, CAPX, CEXB, CABX, and CE2)	\$110

## Adjustable Flipchart Holder & Tearbar, Magnetic Mount



Code	Description	Price
<b>ACTSTBMG</b>	28" w x 2 1/2" h (Not compatible with glass or magnetic glass)	\$300

# Mount Brackets

## Mount Brackets

Code	Description	Price
ACWALMB20	20"w Standard Mount Bracket. For 2436 Presentation Boxcore, Tack Boxcore 3/4" frame and aluminum framed markerboards.	\$40
ACWALMB32	32"w Standard Mount Bracket. For 4832 Presentation Boxcore, Tack Boxcore 3/4" frame and aluminum framed markerboards.	\$40
ACWALMB36	36"w Standard Mount Bracket. For 4848 Boards, Presentation Boxcore, Tack Boxcore 3/4" frame and 4848, 6048,7248 aluminum framed markerboards.	\$40
ACWALMB45	45"w Standard Mount Bracket. For 72" Cabinets, and 9648 aluminum framed markerboards.	\$40
ACWALMB60	60"w Standard Mount Bracket. For 7248, Presentation Boxcore, Tack Boxcore 3/4" frame.	\$40

Code	Description	Price
ACWALMB-Z36	36"w Z-Bracket. For 4848, 7248, 6048 Boards, Dimension Stele, Tackable Wings	\$40
ACWALMB-Z45	45"w Z-Bracket. For 6048 Boards, Dimension Stele, Tackable Wings	\$40
ACWALMB-Z60	60"w Z-Bracket. For 7248 Boards, Dimension Stele, Tackable Wings	\$40
ACWALMB-Z72	72"w Z-Bracket. For 9648 Boards, Dimension Stele, Tackable Wings	\$40
ACWALMMB94	94"w Standard Mount Bracket. For 94" multiple horizontal EganMosaic board installations.	\$70

Code	Description	Price
ACWALDIM20	20"w Dimension Cleat. For 2436 Dimension Stele™ Boxcore™ boards and Dimension Tack Boxcore boards with 1-1/8" frame.	\$40
ACWALDIM32	32"w Dimension Cleat. For 4832 Dimension Stele Boxcore Boards and Dimension Tack Boxcore boards with 1-1/8" frame.	\$40
ACWALDIM36	36"w Dimension Cleat. For 4848 Dimension Stele Boxcore and Dimension Tack Boxcore boards with 1-1/8" frame.	\$40
ACWALDIM45	45"w Dimension Cleat. For 6048 Dimension Stele Boxcore and Dimension Tack Boxcore boards with 1-1/8" frame.	\$40
ACWALDIM60	60"w Dimension Cleat. For 7248, 7748 Dimension Stele Boxcore Boards and Dimension Tack Boxcore boards with 1-1/8" frame.	\$40

Code	Description	Price
ACWALWFMB20	20"w Solid Wood Bracket. For 2436 Wood Frame Boards.	\$40
ACWALWFMB28	28"w Solid Wood Bracket. For 4832 and 3648 Wood Frame Boards.	\$40
ACWALWFMB48	48"w Solid Wood Bracket. For 48"w, 60"w, 72"w, 96"w Wood Frame Boards.	\$40
ACWALWFMB72	72"w Solid Wood Bracket. For 9648 Wood Frame Boards.	\$40

Code	Description	Price
ACWAL21	21" Cabinet Wallmount Bracket. For 24" Cabinets.	\$40
ACWAL32	32" Cabinet Wallmount Bracket. For 32" and 48" Cabinets.	\$40
ACWAL64	64" Cabinet Wallmount Bracket. For 72" Cabinets.	\$40

**EGAN**

**2024**  
**Biophilic Design &**  
**Acoustic Solutions**



# Biophilic Design & Acoustic Solutions Table of Contents

## BIOPHILIC DESIGN & ACOUSTIC SOLUTIONS

### 2024 PRICE GUIDE.....96

Specifications.....98-100, 143

### PRESERVED MOSS WALL PANELS

Preserved Moss Walls Panels Overview.....101

Geo Preserved Moss Walls Panels - Framed.....102-103

Geo Preserved Moss Walls Panels - Frameless.....104-105

Preserved Moss Wall Art Tiles.....106-108

Bamboo Framed Preserved Moss Panel.....109

### PRESERVED MOSS DIVIDERS

Biophilic Dividers Overview.....110

Preserved Moss Planter Divider.....111-112

### ACOUSTIC WALL PANELS

Acoustic Wall Panels Overview.....113

Disperse Acoustic Wall Panel.....114-115

Geo-Acoustic Wall Tiles.....116-117

V-Notch Acoustic Wall Panel.....118

Tackboard Wall Panels.....119

### FABRIC WRAPPED ACOUSTIC WALL PANELS

Fabric Wrapped Acoustic Wall Panels Overview.....120

Decorative Tack Panel.....121

APS-3 Acoustic Fiberglass Panels.....122-123

### DESK DIVIDERS

Desk Dividers Overview.....124

Hoody Acoustic Desk Divider.....125

Acoustic Desk Privacy Panel.....126

Acoustic Desk Divider.....127

Study Carrel.....128

Acoustic Full Desk Privacy Panel.....129

Acoustic Half Desk Lower Modesty Panel.....130

Acoustic Corner Screen.....131

### ROOM DIVIDERS

Room Dividers Overview.....132

Acoustic Hanging Wall Dividers.....133-134

Freestanding Screen.....135

Disperse Mobile.....136-137

### CEILING BAFFLES

Ceiling Acoustics & Baffles Overview.....138

Acoustic Ceiling Baffles.....139

Acoustic Grid Canopy Ceiling Baffles.....140-141

Acoustic Accessories & Hardware.....142



# Specifications

## MOSS COLORS

- Sheet Moss:** light & dark green
- Reindeer Moss:** 19 different colors available
- Pole Moss:** light & dark green
- Mood Moss:** dark green only
- Mixed Moss:** light & dark green

## MOSS THICKNESS

- Reindeer Moss:** 2" thick
- Pole Moss:** 2" - 3" thick
- Mood Moss:** 2" - 3" thick
- Mixed Moss:** 2" - 3" thick
- Sheet Moss:** 3/4" thick

## MOSS COMPOSITION

100% natural moss preserved by replacing the water in the plant with glycerine. An eco-friendly way using 100% natural oils and food dye.

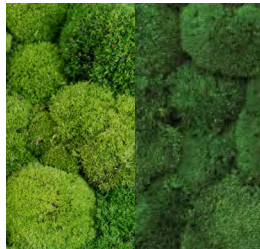
## MOSS TYPE



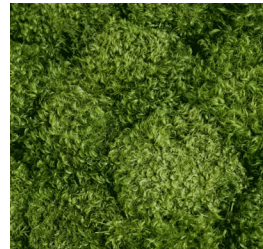
**Sheet Moss**  
Light      Dark  
Code: SL      Code: SD



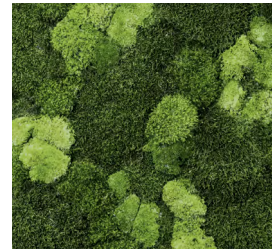
**Reindeer Moss**  
Code: RU



**Pole Moss**  
Light      Dark  
Code: PL      Code: PD

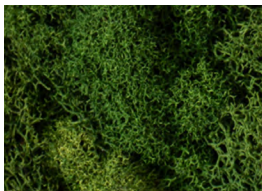


**Mood Moss**  
Code: MO



**Mixed Moss**  
Code: MX

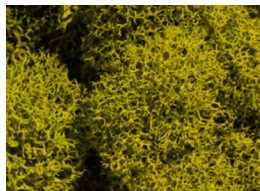
## REINDEER MOSS



**Dark Green**  
Code: DKGR



**Medium Green**  
Code: MDGR



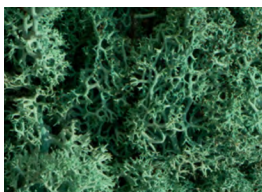
**Spring Green**  
Code: SPGR



**Grass Green**  
Code: GRGR



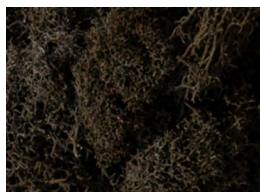
**Mint**  
Code: MTGR



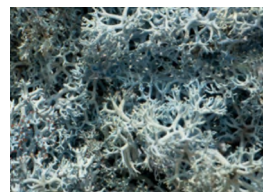
**Pacific Green**  
Code: PCGR



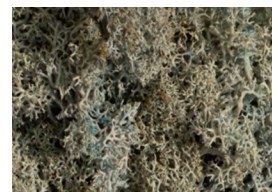
**Natural**  
Code: NATR



**Charcoal**  
Code: CHAR



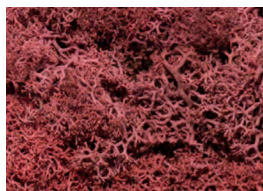
**Blue Lavender**  
Code: BLLV



**Ice Blue**  
Code: ICBL



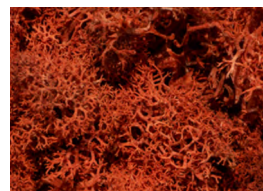
**Purple**  
Code: PURP



**Burgundy**  
Code: BURG



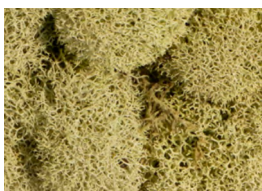
**Red**  
Code: RED



**Sienna**  
Code: SIEN



**Pink**  
Code: PINK



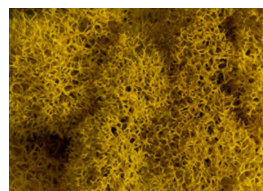
**Olive**  
Code: OLIV



**Silver Gray**  
Code: SLGY



**Orange**  
Code: ORAN



**Yellow**  
Code: YELL

Biophilic Design & Acoustic Solutions



# Specifications

## MIXED MOSS PATTERN INSPIRATION OPTIONS



**Clusters**  
Code: CLS



**Waves**  
Code: WAV



**Stripes**  
Code: STR



**Linear**  
Code: LIN



**Zones**  
Code: ZON



**Dappled**  
Code: DAP



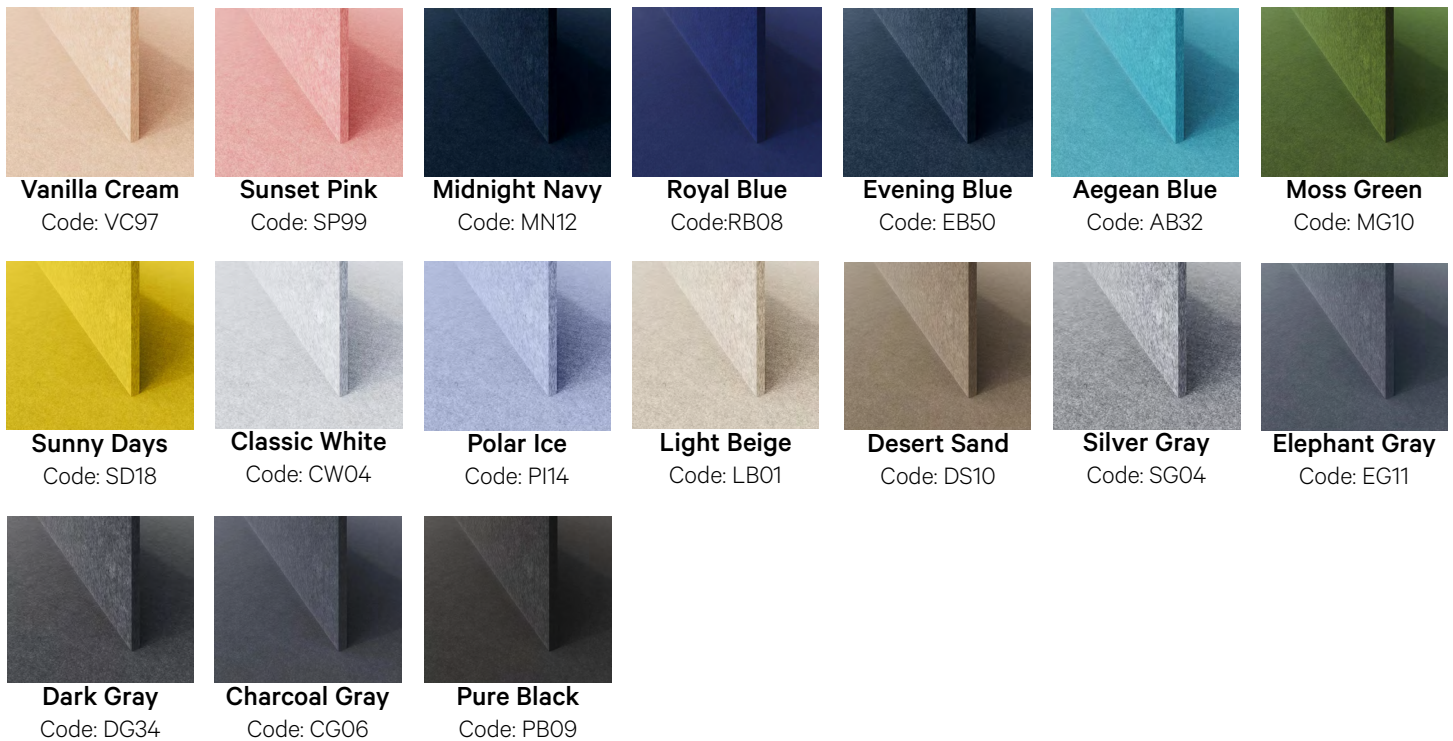
# Specifications

## EZOBORD

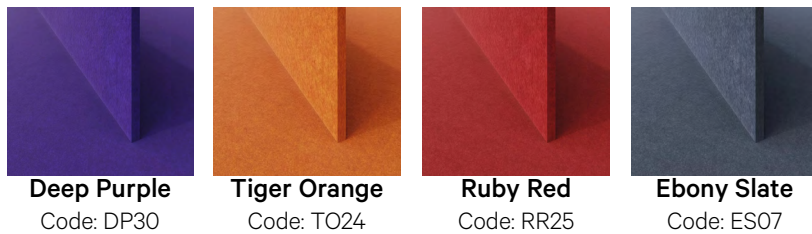
EzoBord is an acoustic, highly versatile, recycled base material used in the construction of our Acoustic Moss Wall Panels. EzoBord is made from 100% PET fiber of which approximately 50% is derived from recycled plastic water bottles. All Moss Products utilize the 1/2" (12mm) Ezobord, available in 20 standard colors.

## 9 & 12MM COLORS

(Overlapping colors)



## 9mm Colors ONLY



## 12mm Colors ONLY



Biophilic Design & Acoustic Solutions

## Preserved Moss Walls Panels

### ■ Geo Preserved Moss Wall Panels - Framed & Frameless

Geo Preserved Moss Wall Panels are available as six different geometric shapes in small and large sizes, offering designers the power to create their wall art designs in any shape, size, and moss type. Elegant and lightweight, Framed Moss Wall Panels help create a biophilic experience, scientifically proven to reduce stress, increase productivity, enhance creativity and personal wellness, while providing the acoustic properties of both Moss and EzoBord.

### ■ Preserved Moss Wall Art Tiles

Moss Art Tiles are designed to help architects and designers create endless patterns for their next project. Moss art can be created in multiple shapes and sizes—the possibilities are truly endless! Handcrafted here in North America from naturally preserved moss.

### ■ Bamboo Framed Preserved Moss Panels

Bamboo Framed Moss Wall Panels create a biophilic experience, proven to reduce stress, increase productivity and enhance creativity. Create stunning wall art with our geometric-inspired feature and arrange them in your favourite pattern to give your space that sustainable and stylish edge. Our handmade solid bamboo wood is created from sustainably sourced recycled chopsticks and environmentally friendly manufacturing methods.



# Geo Preserved Moss Wall Panels - Framed

**Framed Geo Preserved Moss Wall Panels** are made of 100% natural moss that is lightweight, sound dampening, and low maintenance combined with 12mm EzoBord for the frame. Panels are preserved and colored using natural oils with no chemicals. There is no maintenance required since moss is preserved and no longer living. Moss should not be watered and does not require natural light or trimming. The natural preservation of moss appears alive and can maintain its natural appearance many years.

## SHAPE



**Circle Shape**  
Code: CR



**Diamond Shape**  
Code: DI



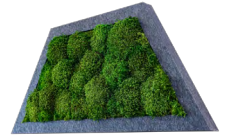
**Hexagon Shape**  
Code: HX



**Square Shape**  
Code: SQ



**Triangle Shape**  
Code: TZ



**Trapezoid Shape**  
Code: TR

## MOSS TYPE



**Sheet Moss**  
Light Code: SL    Dark Code: SD



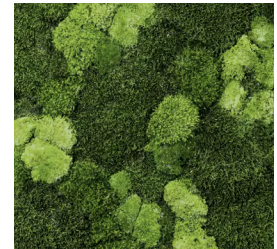
**Reindeer Moss**  
Code: RU



**Pole Moss**  
Light Code: PL    Dark Code: PD



**Mood Moss**  
Code: MO



**Mixed Moss**  
Code: MX

## SMALL PANEL SIZES

Moss Type	Circle Small Code: FMWPCRSML	Diamond Small Code: FMWPDISML	Hexagon Small Code: FMWPHXSML	Square Small Code: FMWPSQSML	Triangle Small Code: FMWPTRSML	Trapezoid Small Code: FMWPTZSML
	30" w x 30" h x 1.5" d	18" w x 31" h x 1.5" d	31" w x 27" h x 1.5" d	31" w x 31" h x 1.5" d	31" w x 27" h x 1.5" d	31" w x 14" h x 1.5" d
Sheet Moss	\$1,000	\$950	\$1,260	\$1,580	\$1,190	\$950
Reindeer Moss	\$1,370	\$1,140	\$1,720	\$2,280	\$1,580	\$1,140
Pole Moss	\$1,750	\$1,330	\$2,170	\$3,010	\$1,960	\$1,330
Mood Moss	\$1,680	\$1,320	\$2,170	\$2,910	\$1,910	\$1,300
Mixed Moss	\$1,790	\$1,370	\$2,210	\$3,050	\$2,000	\$1,370

## LARGE PANEL SIZES

Moss Type	Circle Large Code: FMWPCRLRG	Diamond Large Code: FMWPDILRG	Hexagon Large Code: FMWPHXLRG	Square Large Code: FMWPSQLRG	Triangle Large Code: FMWPTRLRG	Trapezoid Large Code: FMWPTZLRG
	41" w x 41" h x 1.5" d	24" w x 41" h x 1.5" d	41" w x 35.5" h x 1.5" d	41" w x 41" h x 1.5" d	41" w x 35.5" h x 1.5" d	41" w x 18" h x 1.5" d
Sheet Moss	\$1,540	\$1,580	\$2,030	\$2,700	\$1,710	\$1,580
Reindeer Moss	\$2,140	\$2,070	\$2,910	\$4,130	\$2,520	\$2,070
Pole Moss	\$2,980	\$2,630	\$3,850	\$5,670	\$3,260	\$2,630
Mood Moss	\$2,870	\$2,520	\$3,710	\$5,390	\$3,120	\$2,520
Mixed Moss	\$3,010	\$2,630	\$3,920	\$5,740	\$3,290	\$2,630

# Geo Preserved Moss Wall Panels - Framed

## 1. PRODUCT CODE

Code	Description
<b>FMWP</b>	Framed Geo Preserved Moss Wall Panel

## 3. SIZE

Code	Description
<b>SML</b>	Small
<b>LRG</b>	Large

## 2. SHAPE

Code	Description
<b>CR</b>	Circle
<b>DI</b>	Diamond
<b>HX</b>	Hexagon
<b>SQ</b>	Square
<b>TZ</b>	Trapezoid
<b>TR</b>	Triangle

## 4. MOSS TYPE

See 4(b) and 4(c) below for specification of Reindeer and Mixed Moss types.

Code	Description
<b>SL</b>	Sheet Moss Light
<b>SD</b>	Sheet Moss Dark
<b>RU</b>	Reindeer Moss Unicolor Specify color from step 4b.
<b>PL</b>	Pole Moss Light
<b>PD</b>	Pole Moss Dark
<b>MO</b>	Mood Moss
<b>MX</b>	Mixed Moss

## 4 (b). REINDEER MOSS COLOR

Code	Description	Code	Description
<b>DKGR</b>	Dark Green	<b>ICBL</b>	Ice Blue
<b>MDGR</b>	Medium Green	<b>SLGY</b>	Silver Grey
<b>SPGR</b>	Spring Green	<b>PURP</b>	Purple
<b>GRGR</b>	Grass Green	<b>BURG</b>	Burgundy
<b>MTGR</b>	Mint Green	<b>RED</b>	Red
<b>OLGR</b>	Olive Green	<b>SIEN</b>	Sienna
<b>PCGR</b>	Pacific Green	<b>PINK</b>	Pink
<b>NATR</b>	Natural	<b>ORAN</b>	Orange
<b>CHAR</b>	Charcoal	<b>YELL</b>	Yellow
<b>BLLV</b>	Blue Lavender	<b>OLIV</b>	Olive

[See page 99 for Reindeer Moss color images](#)

## 4 (c). MIXED MOSS PATTERNS

Code	Description
<b>CLS</b>	Clusters
<b>WAV</b>	Waves
<b>STR</b>	Stripes
<b>LIN</b>	Linear
<b>ZON</b>	Zones
<b>DAP</b>	Dappled

## 5. FRAME COLOR (12MM THICK)

Code	Description	Code	Description
<b>VC97</b>	Vanilla Cream	<b>LB01</b>	Light Beige
<b>SP99</b>	Sunset Pink	<b>DS10</b>	Desert Sand
<b>MN12</b>	Midnight Navy	<b>SG04</b>	Silver Gray
<b>RB08</b>	Royal Blue	<b>EG11</b>	Elephant Gray
<b>EB50</b>	Evening Blue	<b>CG06</b>	Charcoal Gray
<b>AB32</b>	Aegean Blue	<b>PB09</b>	Pure Black
<b>MG10</b>	Moss Green	<b>GV36</b>	Grape Vine
<b>SD18</b>	Sunny Days	<b>BR34</b>	Brick Red
<b>CW04</b>	Classic White	<b>TB35</b>	Tree Bark
<b>PI14</b>	Polar Ice	<b>ES07</b>	Bold Gray

[See page 101 for EzoBord color images](#)

## HOW TO ORDER

**FMWP CR SML RU SIEN CG06**

1. Product Code      2. Shape      3. Size      4. Moss Type      4(b). Moss Color (add color code only when specifying Reindeer Moss)      5. Frame Color

## PRODUCT NOTES

Frame Size: 1.5" (38mm) Wide x 1.5" (38mm) Deep

# Geo Preserved Moss Wall Panels - Frameless

**Frameless Geo Preserved Moss Wall Panels** are made of 100% natural moss that is lightweight, sound dampening and low maintenance. Moss Panels are preserved and colored using natural oils with no chemicals. There is no maintenance required so moss should not be watered, does not require natural light or trimming, as the moss is Preserved and no longer living. The natural preservation of moss appears alive and can maintain its natural appearance for years to come.

## SHAPE



**Circle Shape**  
Code: CR



**Diamond Shape**  
Code: DI



**Hexagon Shape**  
Code: HX



**Square Shape**  
Code: SQ



**Triangle Shape**  
Code: TR



**Trapezoid Shape**  
Code: TZ

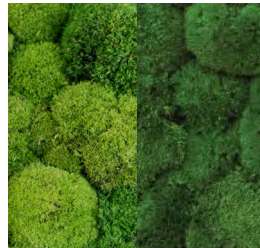
## MOSS TYPE



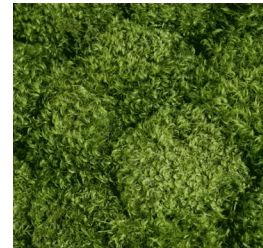
**Sheet Moss**  
Light Code: SL    Dark Code: SD



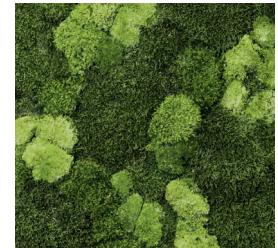
**Reindeer Moss**  
Code: RU



**Pole Moss**  
Light Code: PL    Dark Code: PD



**Mood Moss**  
Code: MO



**Mixed Moss**  
Code: MX

## SMALL PANEL SIZES

Moss Type	Circle Small Code: EMWPCRSML	Diamond Small Code: EMWPDISML	Hexagon Small Code: EMWPHXSML	Square Small Code: EMWPSQSML	Triangle Small Code: EMWPTRSML	Trapezoid Small Code: EMWPTZSML
	12" w x 12" h	12" w x 6.93" h	12" w x 10.39" h	11.5" w x 11.5" h	12" w x 10.39" h	11.5" w x 5.5" h
Sheet Moss	\$160	\$80	\$140	\$200	\$110	\$110
Reindeer Moss	\$270	\$120	\$220	\$320	\$160	\$180
Pole Moss	\$370	\$160	\$320	\$460	\$250	\$260
Mood Moss	\$350	\$150	\$300	\$430	\$230	\$230

## LARGE PANEL SIZES

Moss Type	Circle Large Code: EMWPCRLRG	Diamond Large Code: EMWPDILRG	Hexagon Large Code: EMWPHXLRG	Square Large Code: EMWPSQLRG	Triangle Large Code: EMWPTRLRG	Trapezoid Large Code: EMWPTZLRG
	24" w x 24" h	24" w x 13.86" h	24" w x 20.78" h	23.5" w x 23.5" h	24" w x 20.78" h	23.5" w x 11.5" h
Sheet Moss	\$550	\$230	\$440	\$670	\$300	\$350
Reindeer Mos	\$950	\$380	\$770	\$1,160	\$510	\$600
Pole Moss	\$1,370	\$540	\$1,120	\$1,700	\$740	\$880
Mood Moss	\$1,320	\$510	\$1,050	\$1,610	\$700	\$840
Mixed Moss	\$1,400	\$550	\$1,140	\$1,720	\$760	\$880

# Geo Preserved Moss Wall Panels - Frameless

## 1. PRODUCT CODE

Code	Description
<b>EMWP</b>	Frameless Geo Preserved Moss Wall Panel

## 2. SHAPE

Code	Description
<b>CR</b>	Circle
<b>DI</b>	Diamond
<b>HX</b>	Hexagon
<b>SQ</b>	Square
<b>TR</b>	Triangle
<b>REC</b>	Rectangle

## 3. SIZE

Code	Description
<b>SML</b>	Small
<b>LRG</b>	Large

## 4. MOSS TYPE

See 4(b) and 4(c) below for specification of Reindeer and Mixed Moss types.

Code	Description
<b>SL</b>	Sheet Moss Light
<b>SD</b>	Sheet Moss Dark
<b>RU</b>	Reindeer Moss Unicolor Specify color from step 4b
<b>PL</b>	Pole Moss Light
<b>PD</b>	Pole Moss Dark
<b>MO</b>	Mood Moss
<b>MX</b>	Mixed Moss

## 4 (b). REINDEER MOSS COLOR

Code	Description	Code	Description
<b>DKGR</b>	Dark Green	<b>ICBL</b>	Ice Blue
<b>MDGR</b>	Medium Green	<b>SLGY</b>	Silver Grey
<b>SPGR</b>	Spring Green	<b>PURP</b>	Purple
<b>GRGR</b>	Grass Green	<b>BURG</b>	Burgundy
<b>MTGR</b>	Mint Green	<b>RED</b>	Red
<b>OLGR</b>	Olive Green	<b>SIEN</b>	Sienna
<b>PCGR</b>	Pacific Green	<b>PINK</b>	Pink
<b>NATR</b>	Natural	<b>ORAN</b>	Orange
<b>CHAR</b>	Charcoal	<b>YELL</b>	Yellow
<b>BLLV</b>	Blue Lavender	<b>OLIV</b>	Olive

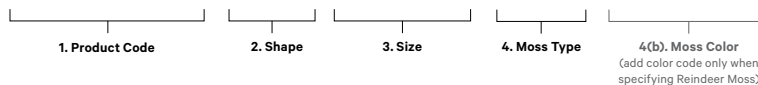
[See page 99 for Reindeer Moss color images](#)

## 4 (c). MIXED MOSS PATTERNS

Code	Description
<b>CLS</b>	Clusters
<b>WAV</b>	Waves
<b>STR</b>	Stripes
<b>LIN</b>	Linear
<b>ZON</b>	Zones
<b>DAP</b>	Dappled

## HOW TO ORDER

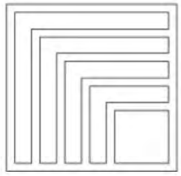
**EMWP CR SML RU SIEN**



# Preserved Moss Wall Art Tiles

**Moss Wall Art Tiles** are made of a combination of Ezobord and naturally preserved moss to create both an acoustic sound absorption and dampening solution as well as an aesthetic art piece for your wall space. Moss Panels are preserved and colored using natural oils with no chemicals. There is no maintenance required so moss should not be watered, does not require natural light or trimming, as the moss is Preserved and no longer living. Blend Colors and Moss species, as well as Tiles to create a custom Mosaic design.

## SQUARE STANDARD PATTERN



Aura



Bands

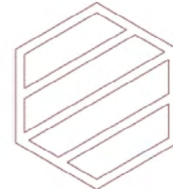


Vertex

## HEXAGON STANDARD PATTERN



Plain Cubes



Stripes



Twist

For multiple moss colors please see our design templates to specify patten and color.

## MOSS TYPE



**Sheet Moss**

Light

Dark

Code: SL

Code: SD



**Reindeer Moss**

Code: RU

Moss Type	Square Tile 23" w x 23" h Code: MWAPSQR			Hexagon Tile 24" w x 20.8" h Code: MWAHEX		
	Unicolor	Bi-Color	Multi-Color	Unicolor	Bi-Color	Multi-Color
Sheet Moss	\$950	\$1,050	-	\$920	\$1,020	-
Reindeer Moss	\$1,250	\$1,350	\$1,470	\$1,160	\$1,260	\$1,370

## HOW TO BUILD YOUR ORDER CODE ON NEXT PAGE



# Preserved Moss Wall Art Tiles

## 1. PRODUCT CODE

Code	Description
MWAP	Moss Wall Art Tile

## 2. SHAPE

Code	Description
SQR	Square (23"w x 23"h)
HEX	Hexagon (24"w x 20.8"h)

## 3. PATTERN

Square Standard Pattern	
Code	Description
AURA	Aura
BANDS	Bands
VERTEX	Vertex

Hexagon Standard Pattern	
Code	Description
PLAIN	Plain Cubes
STRIPES	Stripes
TWIST	Twist

## 4. MOSS TYPE

For multiple moss colors (RU2/RUM/SM) please see our design templates to specify patten and color.

Code	Description
SL	Sheet Moss Light
SD	Sheet Moss Dark
SM	Sheet Moss Mixed (Light & Dark)
RU1	Reindeer Moss - One Color
RU2	Reindeer Moss - Two Colors
RUM	Reindeer Moss - Multi-Color
Specify Reindeer Moss color from step 4b	

## 4 (b). REINDEER MOSS COLOR

Code	Description	Code	Description
DKGR	Dark Green	ICBL	Ice Blue
MDGR	Medium Green	SLGY	Silver Grey
SPGR	Spring Green	PURP	Purple
GRGR	Grass Green	BURG	Burgundy
MTGR	Mint	RED	Red
OLGR	Olive	SIEN	Sienna
PCGR	Pacific Green	PINK	Pink
NATR	Natural	ORAN	Orange
CHAR	Charcoal	YELL	Yellow
BLLV	Blue Lavender	OLIV	Olive
<a href="#">See page 99 for Reindeer Moss color images</a>			

## 5. FRAME COLOR

Code	Description	Code	Description
VC97	Vanilla Cream	LB01	Light Beige
SP99	Sunset Pink	DS10	Desert Sand
MN12	Midnight Navy	SG04	Silver Gray
RB08	Royal Blue	EG11	Elephant Gray
EB50	Evening Blue	CG06	Charcoal Gray
AB32	Aegean Blue	PB09	Pure Black
MG10	Moss Green	GV36	Grape Vine
SD18	Sunny Days	BR34	Brick Red
CW04	Classic White	TB35	Tree Bark
PI14	Polar Ice	BG07	Bold Gray
<a href="#">See page 101 for EzoBord color images</a>			

Frame is 12mm Ezobord

## HOW TO ORDER

# MWAP HEX PLAIN RUM SIEN PINK RED CG06

1. Product Code

2. Shape

3. Pattern

4. Moss Type

4(b). Moss Color Moss Color 1  
(add color code only when specifying Reindeer Moss)

4(b). Moss Color Moss Color 2  
(add color code only when specifying Reindeer Moss)

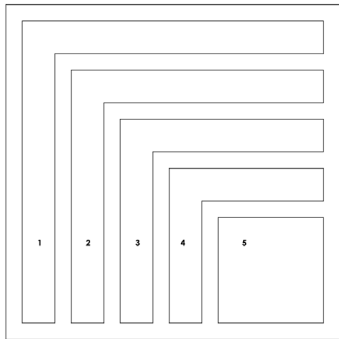
4(b). Moss Color Moss Color 3  
(add color code only when specifying Reindeer Moss)

5. Frame Color

# Moss Wall Art Tiles

Specifying multi color moss wall art panel patterns:

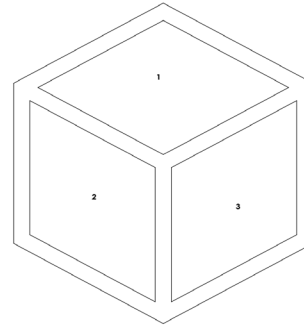
- Maximum of three different color choices - reuse of same color in different space does not count as additional color selection.
- Download full size pattern template from [www.egan.com](http://www.egan.com) to submit with order
- You may write color selection directly on the pattern template



## SHAPE: AURA

Select moss colors for the areas:

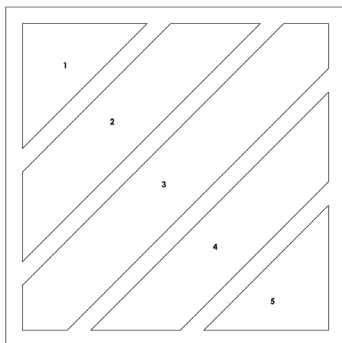
- 1.
- 2.
- 3.
- 4.
- 5.



## SHAPE: PLAIN CUBES

Select moss colors for the areas:

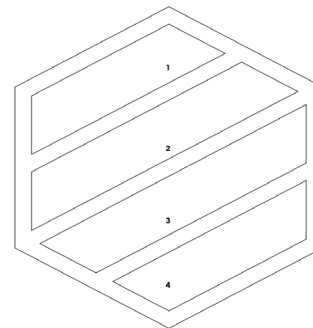
- 1.
- 2.
- 3.



## SHAPE: BANDS

Select moss colors for the areas:

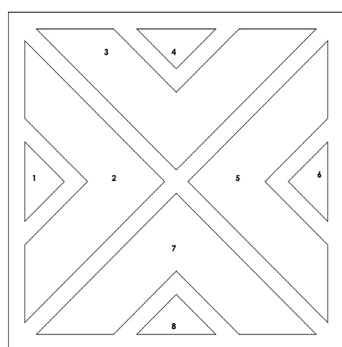
- 1.
- 2.
- 3.
- 4.
- 5.



## SHAPE: STRIPES

Select moss colors for the areas:

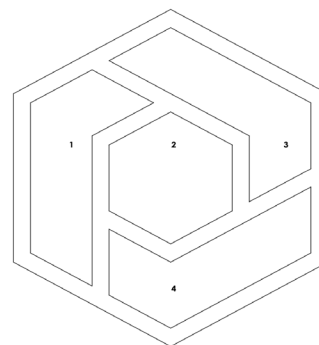
- 1.
- 2.
- 3.
- 4.



## SHAPE: VERTEX

Select moss colors for the areas:

- 1.
- 2.
- 3.
- 4.
- 5.
- 6.
- 7.
- 8.



## SHAPE: TWIST

Select moss colors for the areas:

- 1.
- 2.
- 3.
- 4.

# Bamboo Framed Preserved Moss Panel

**Bamboo Framed Preserved Moss Panels** takes the next step in natural and sustainable Biophilic Wall Art. Combine 100% natural moss that is lightweight, sound dampening and low maintenance with a handmade bamboo wood frame created from sustainably sourced recycled chopsticks. These Biophilic Moss Art Panels will make a statement in your space. Moss Panels are preserved and colored using natural oils with no chemicals. There is no maintenance required so moss should not be watered, does not require natural light or trimming, as the moss is Preserved and no longer living.

Moss Type	Hexagon Code: MWBF		
	6" Frame	12" Frame	24" Frame
	7.375"w x 6.375"h	13"w x 11.25"h	25.125"w x 21.75"h
Sheet Moss	\$390	\$600	\$1,210
Reindeer Moss	\$420	\$670	\$1,540



### 1. PRODUCT CODE

Code	Description
MWBF	Bamboo Framed Moss Panels

### 2. SIZE

Code	Description
SML	6" Frame (Small)
MED	12" Frame (Medium)
LRG	24" Frame (Large)

### 3. MOSS TYPE

Code	Description
SL	Sheet Moss Light
SD	Sheet Moss Dark
RU	Reindeer Moss Unicolor Specify color from step 3b



**Sheet Moss**  
Light      Dark  
Code: SL      Code: SD



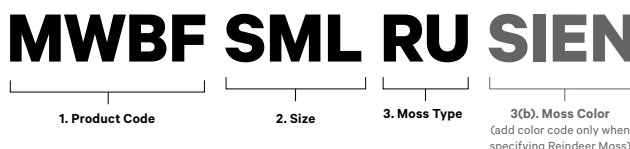
**Reindeer Moss**  
Code: RU

### 3 (b). REINDEER MOSS COLOR

Code	Description	Code	Description
DKGR	Dark Green	ICBL	Ice Blue
MDGR	Medium Green	SLGY	Silver Grey
SPGR	Spring Green	PURP	Purple
GRGR	Grass Green	BURG	Burgundy
MTGR	Mint	RED	Red
OLGR	Olive	SIEN	Sienna
PCGR	Pacific Green	PINK	Pink
NATR	Natural	ORAN	Orange
CHAR	Charcoal	YELL	Yellow
BLLV	Blue Lavender	OLIV	Olive

[See page 99 for Reindeer Moss color images](#)

### HOW TO ORDER



Biophilic Wall Panels



## Biophilic Dividers

### ■ Preserved Moss Planter Dividers

---

Preserved Moss Planter Dividers are elegant, portable installations/solutions that complement any office design without sacrificing valuable wall space. Each customizable Planter is made from two elements: The Planter structure and Preserved Moss.

The Planter structure features our industry-leading EzoBord, a super lightweight, non-toxic, acoustic panel material made from recycled water bottles. Fully customizable into any shape, size, or color, ezoBord helps turn any Design vision into reality. Preserved Moss fills the planter with 100% natural, eco-friendly moss preserved with natural oils and dyes to create one-of-a-kind colors, textures, and patterns.

# BIOPHILIC DIVIDERS

**BUILT  
TO INSPIRE**

# Preserved Moss Planter Divider

**Preserved Moss Planter Dividers** provide a low maintenance, easy to “install”, high impact design to any workspace. Each customizable Planter is made from two elements: The Planter structure and Preserved Moss. The Planter structure features our industry leading EzoBord, a super lightweight, non-toxic, acoustic PET material made from recycled water bottles. Paired with 100% natural moss that is sound dampening and requires next to no maintenance for a lightweight flexible biophilic solution.

Small Planter	Medium Planter	Large Planter	Large Moss on Ezo Planter
7”w x 30” L x 7”H	7”W x 30”L x 15”H	11.5”W x 42”L x 34”H	11.5”W x 42”L x 34”H
\$1,860	\$2,490	\$5,810	\$7,350



Includes a mix of sheet and pole moss  
Planters have pre-set notch channels, design based on size chosen and is not customizable

1. PRODUCT CODE	Code	Description	2. PLANTER BOX SIZE	Code	Description
	AMP	Preserved Moss Planter Divider		SML	Small Ezo Planter
				MED	Medium Ezo Planter
				LRG	Large Ezo Planter
				LGE	Large Moss on Ezo Planter

3. EZO PLANTER COLOR	Code	Description	Code	Description	Code	Description
	VC97	Vanilla Cream	LB01	Light Beige	SD18	Sunny Days
	SP99	Sunset Pink	DS10	Desert Sand	CW04	Classic White
	MN12	Midnight Navy	SG04	Silver Gray	PI14	Polar Ice
	RB08	Royal Blue	EG11	Elephant Gray	BR34	Brick Red
	EB50	Evening Blue	CG06	Charcoal Gray	TB35	Tree Bark
	AB32	Aegean Blue	PB09	Pure Black	BG07	Bold Gray
	MG10	Moss Green	GV36	Grape Vine		

Select Secondary Ezo Color to be chosen from the matrix.  
Planter is 12mm Ezobord

[See page 101 for EzoBord color images](#)

4. ARTIFICIAL PLANT OPTIONS	Small & Medium Planter Options				Large Planters Options			
	Code	Description	Dimensions	Price	Code	Description	Dimensions	Price
	BFB	Boston Fern Bush	18”H x 12”W	\$50	GSP	Green Sansevieria Plant	26”H x 18”W	\$420
	TF	Tree Fern	14”H x 12”W	\$140	ZP	Zamia Plant	43”	\$690
					FLF	Fiddle Leaf Fig Branch	30”	\$200



Boston Fern Bush Tree Fern



Green Sansevieria Plant Zamia Plant Fiddle Leaf Fig Branch



Biophilic Dividers

# Preserved Moss Planter Dividers

Specifying artificial plant options:

- You may write plant selection directly on the pattern template below
- Mix and match plants for your personalized design
- Submit template with order

## SMALL & MEDIUM PLANTER SELECTIONS



Identify artificial plant options:

1. \_\_\_\_\_
2. \_\_\_\_\_
3. \_\_\_\_\_

## LARGE PLANTER SELECTIONS



Identify artificial plant options:

1. \_\_\_\_\_
2. \_\_\_\_\_
3. \_\_\_\_\_

## Acoustic Wall Panels

Egan can provide a tailored sound analysis on how to reduce reverberation and decibels in your environment. Contact Egan or your local Rep for more details: [www.egan.com/rep-locator/](http://www.egan.com/rep-locator/)

### ■ Disperse™ Acoustic Wall Panel

The all-new Egan Disperse™ Acoustic Wall Panels gives you new ways to influence your space and enhance people's experience within it. Thanks to its sound-damping core (PET with an NRC rating of 0.75) and surface design, you have enhanced ability to influence sounds, particularly in open spaces. For a unique and highly customizable visual design element turn to Egan Disperse Acoustical Panels. Egan Disperse mobiles can help with sound mitigation in many environments. Front-facing apertures in the surface available in Egan's wood stains, or specify Etex in a number of colors. Also available in wall mounted panels.

### ■ Geo Acoustic Wall Tiles

The Geo Acoustic Wall Tiles is designed for optimal sound absorption and aesthetic flexibility. Offered in 6, 12, and 24-inch squares, these tiles are available in two thickness options—9 mm and 12 mm—to accommodate a wide range of design preferences. Geo Tiles effectively minimize noise, with a NRC rating of .31 for the 9mm tiles and .40 for the 12mm tiles, ensuring both aesthetic appeal and acoustic functionality.

### ■ V-Noth Acoustic Wall Panel

V-Notch Acoustic Wall Panels are engineered to support both individual panel applications and comprehensive surface coverage across various architectural spaces. Available in a wide array of colors, these panels are suitable for a diverse range of projects in commercial, hospitality, and institutional settings. Their design flexibility is enhanced by the option for both horizontal and vertical installation, enabling designers to craft seamless, floor-to-ceiling acoustic solutions tailored to any space.

### ■ Tackboard Wall Panels

Designed to serve as decorative pinboards, these panels significantly reduce ambient sound and reverberation, creating quieter and more focused environments. The Tackboard Wall Panels are constructed for high impact resistance and are made from recycled plastic water bottles, embodying a sustainable approach that not only reduces environmental impact but also promotes greener and more responsible resource use.

# ACOUSTIC SOLUTIONS

**BUILT  
TO INSPIRE**

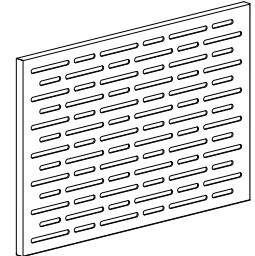
# Disperse™ Acoustic Wall Panel

The Disperse wallmount effectively reduces sound in office spaces. With its advanced sound-damping core and surface design, it offers enhanced control over acoustics. Front-facing apertures are available in Egan's wood or Etex finishes, offered in multiple colors for a customizable look.

DISPERSE WALLMOUNT Code: SIW		
	Etex	Wood Stains
24"w x 36"h	\$1,030	\$1,110
48"w x 36"h	\$1,540	\$1,720
48"w x 48"h	\$1,780	\$1,960
60"w x 48"h	\$2,130	\$2,310
72"w x 48"h	\$2,440	\$2,620
96"w x 48"h	\$3,100	\$3,280

## 1. PRODUCT CODE

Code	Description
SIW	Disperse Wallmount



## 2. CORE FINISH

Code	Description
T	EzoBord   EganMetallic

\*Select options EzoBord colors from table 2(b) below.

### 2 (b). \*EZO COLOR (9mm Depth)

Code	Description	Code	Description
VC97	Vanilla Cream	LB01	Light Beige
SP99	Sunset Pink	DS10	Desert Sand
MN12	Midnight Navy	SG04	Silver Gray
RB08	Royal Blue	EG11	Elephant Gray
EB50	Evening Blue	CG06	Charcoal Gray
AB32	Aegean Blue	PB09	Pure Black
MG10	Moss Green	DP30	Deep Purple
SD18	Sunny Days	TO24	Tiger Orange
CW04	Classic White	RR25	Ruby Red
PI14	Polar Ice	ES07	Ebony Slate

[See page 101 for EzoBord color images](#)

## 3. SURFACE FINISH

Etex Color Options	
Code	Description
EM	EganMetallic
BL	Black
CL	Charcoal
GR	Gray
PT	Platinum
PY	Putty
SN	Sand
SL	Slate
TA	Taupe
CC	Custom Color \$250

Wood Stains		
Code	Description	Price
HS	Haystack	\$ 0
WL	Woodland	\$ 0
DW	Driftwood	\$ 0
BB	Barnboard	\$ 0
CB	Carbon	\$ 0
NA	Natural	\$ 0
CS	Custom Stain	\$ 300

# Disperse™ Acoustic Wall Panel

## 4. FRAME COLOR

Code	Description	Price
CA	Clear Anodized	\$ 0
WH	White	\$ 150
BL	Black	\$ 150
CC	Custom Color	\$ 250

## HOW TO ORDER

**SIW T CG01 48 48 HW CA**

1. Product Code    2. Core Finish    2 (b). Core Finish EzoBord Color    Width    Height    3. Surface Finish    4. Frame Color

# Geo-Acoustic Wall Tiles

## 1. PRODUCT CODE

Code	Description
<b>SIGT</b>	Geo-Acoustic Wall Tiles

## 2. THICKNESS

Code	Description
<b>9</b>	9mm Thickness
<b>12</b>	12mm Thickness

## 3. SIZE & PRICE

6" tiles - 16 per case  
 12" tiles - 8 per case  
 24" tiles - 8 per case

	Sizes		
	Small Size 6"	Medium Size 12"	Large Size 24"
9mm Thickness	\$280	\$430	\$1,420
12mm Thickness	\$320	\$510	\$1,980

## 4. EDGE

Ask about custom beveled edge by reaching out to Egan Sales customerservice@egan.com

Code	Description
<b>SE</b>	Straight Edge

## 5. SHAPE



**Diamond**  
Code: DIA



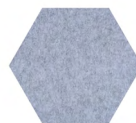
**Circle**  
Code: CIR



**Rectangle**  
Code: REC



**Paisley**  
Code: PAI



**Hexagon**  
Code: HEX



**Puzzle**  
Code: PUZ



**Strip**  
Code: STR



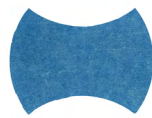
**Isosceles Triangle**  
Code: ISO



**Square**  
Code: SQR



**Chevron**  
Code: CHV



**Bowtie**  
Code: BOW



**Propeller**  
Code: PRO



**Triangle**  
Code: TRI



**Trapezoid**  
Code: TRZ



**Fan**  
Code: FAN



**Parallelogram**  
Code: PAR

Code	Description	Code	Description	Code	Description
<b>DIA</b>	<b>Diamond</b> Small Size: 6"w x 3.47"l Medium Size: 12"w x 6.93"l Large Size: 24"w x 13.86"l	<b>CIR</b>	<b>Circle</b> Small Size: 6"w x 6"l Medium Size: 12"w x 12"l Large Size: 24"w x 24"l	<b>REC</b>	<b>Rectangle</b> Small Size: 5.75"w x 2.88"l Medium Size: 11.5"w x 5.75"l Large Size: 23"w x 11.5"l
<b>HEX</b>	<b>Hexagon</b> Small Size: 6"w x 5.2"l Medium Size: 12"w x 10.39"l Large Size: 24"w x 20.78"l	<b>PUZ</b>	<b>Puzzle</b> Medium Size: 12"w x 9.92"l Large Size: 24"w x 19.84"l	<b>STR</b>	<b>Strip</b> Large Size: 24"w x 3"l
<b>SQR</b>	<b>Square</b> Small Size: 5.75"w x 5.75"l Medium Size: 11.5"w x 11.5"l Large Size: 23"w x 23"l	<b>CHV</b>	<b>Chevron</b> Small Size: 6"w x 3.27"l Medium Size: 12"w x 6.55"l Large Size: 24"w x 13.07"l	<b>BOW</b>	<b>Bowtie</b> Small Size: 6"w x 4.4"l Medium Size: 12"w x 8.8"l Large Size: 24"w x 17.6"l
<b>TRI</b>	<b>Triangle</b> Small Size: 6"w x 5.2"l Medium Size: 12"w x 10.39"l Large Size: 24"w x 20.78"l	<b>PRO</b>	<b>Propeller</b> Small Size: 6"w x 5.6"l Medium Size: 12"w x 11.2"l Large Size: 24"w x 22.4"l	<b>FAN</b>	<b>Fan</b> Small Size: 6"w x 6"l Medium Size: 12"w x 12"l Large Size: 24"w x 24"l
		<b>TRZ</b>	<b>Trapezoid</b> Small Size: 6"w x 2.6"l Medium Size: 12"w x 5.2"l Large Size: 24"w x 10.39"l	<b>PAR</b>	<b>Parallelogram</b> Medium Size: 12"w x 3"l Large Size: 24"w x 6"l

# Geo-Acoustic Wall Tiles

## 6. EZO COLOR (9mm Depth)

Code	Description	Code	Description
<b>VC97</b>	Vanilla Cream	<b>LB01</b>	Light Beige
<b>SP99</b>	Sunset Pink	<b>DS10</b>	Desert Sand
<b>MN12</b>	Midnight Navy	<b>SG04</b>	Silver Gray
<b>RB08</b>	Royal Blue	<b>EG11</b>	Elephant Gray
<b>EB50</b>	Evening Blue	<b>CG06</b>	Charcoal Gray
<b>AB32</b>	Aegean Blue	<b>PB09</b>	Pure Black
<b>MG10</b>	Moss Green	<b>DP30</b>	Deep Purple
<b>SD18</b>	Sunny Days	<b>TO24</b>	Tiger Orange
<b>CW04</b>	Classic White	<b>RR25</b>	Ruby Red
<b>PI14</b>	Polar Ice	<b>ES07</b>	Ebony Slate

[See page 101 for EzoBord color images](#)

## 6. EZO COLOR (12mm Depth)

Code	Description	Code	Description
<b>VC97</b>	Vanilla Cream	<b>LB01</b>	Light Beige
<b>SP99</b>	Sunset Pink	<b>DS10</b>	Desert Sand
<b>MN12</b>	Midnight Navy	<b>SG04</b>	Silver Gray
<b>RB08</b>	Royal Blue	<b>EG11</b>	Elephant Gray
<b>EB50</b>	Evening Blue	<b>CG06</b>	Charcoal Gray
<b>AB32</b>	Aegean Blue	<b>PB09</b>	Pure Black
<b>MG10</b>	Moss Green	<b>GV36</b>	Grape Vine
<b>SD18</b>	Sunny Days	<b>BR34</b>	Brick Red
<b>CW04</b>	Classic White	<b>TB35</b>	Tree Bark
<b>PI14</b>	Polar Ice	<b>BG07</b>	Bold Gray

[See page 101 for EzoBord color images](#)

### HOW TO ORDER

# SIGT 9-12 SE DIA CG06

1. Product Code    2. Thickness    3. Size    4. Edge    5. Shape    6. Ezo Color

### MOUNTING REQUIREMENTS

Recommended mounting: Ezo Tape - see page # for details and ordering.



# V-Notch Acoustic Wall Panel

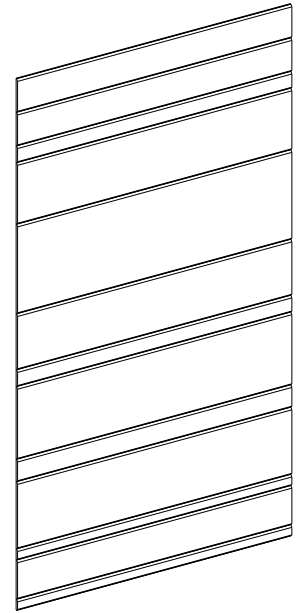
## 1. PRODUCT CODE

Code	Description
SIVNO	V-Notch Acoustic Wall Panel

## SIZE & PRICE

Code & Size	Picket	Plank	Ribbon
<b>SIVNO 9-48 96</b> 47.5" w x 95" h x 3/8" d (9mm thick EzoBord)	\$1,860	\$1,860	\$3,\$2,930
<b>SIVNO 12-48 107</b> 47.5" w x 107" h x 1/2" d (12mm thick EzoBord)	\$2,490	\$2,490	\$3,760

Panel thickness is predetermined by sizing.



## 2. PATTERN

Code	Description
PIW	Picket Wide
PLW	Plank Wide
RIB	Ribbon

## 3 (b). EZO COLOR (9mm Depth)

EzoBord thickness is predetermined by panel size.

Code	Description	Code	Description
VC97	Vanilla Cream	LB01	Light Beige
SP99	Sunset Pink	DS10	Desert Sand
MN12	Midnight Navy	SG04	Silver Gray
RB08	Royal Blue	EG11	Elephant Gray
EB50	Evening Blue	CG06	Charcoal Gray
AB32	Aegean Blue	PB09	Pure Black
MG10	Moss Green	DP30	Deep Purple
SD18	Sunny Days	TO24	Tiger Orange
CW04	Classic White	RR25	Ruby Red
PI14	Polar Ice	ES07	Ebony Slate

[See page 101 for EzoBord color images](#)

## 3 (b). EZO COLOR (12mm Depth)

Select these EzoColors for 12mm thick EzoBord only.

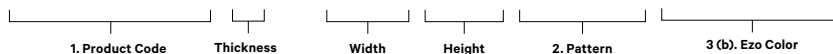
Code	Description	Code	Description
VC97	Vanilla Cream	LB01	Light Beige
SP99	Sunset Pink	DS10	Desert Sand
MN12	Midnight Navy	SG04	Silver Gray
RB08	Royal Blue	EG11	Elephant Gray
EB50	Evening Blue	CG06	Charcoal Gray
AB32	Aegean Blue	PB09	Pure Black
MG10	Moss Green	GV36	Grape Vine
SD18	Sunny Days	BR34	Brick Red
CW04	Classic White	TB35	Tree Bark
PI14	Polar Ice	BG07	Bold Gray

[See page 101 for EzoBord color images](#)

Acoustic Wall Panels

## HOW TO ORDER

# SIVNO 9 - 48 96 PIW CG06



## MOUNTING REQUIREMENTS

Recommended mounting: Ezo Tape - see page # for details and ordering.

# Tackboard Wall Panels

## 1. PRODUCT CODE

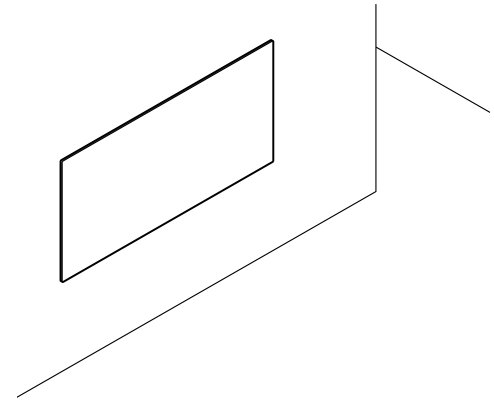
Code	Description
<b>FTWP</b>	Tackboard Wall Panels

## 2. THICKNESS

Code	Description
<b>9</b>	9mm thickness
<b>12</b>	12mm thickness

## SIZE & PRICE

Thickness	Code & Size	Price
9mm Thick	<b>FTWP 9-24 48</b> 23.5"w x 48"h x 3/8"d	\$350
12mm Thick	<b>FTWP 12-24 48</b> 23.5"w x 48"h x 1/2"d	\$470



## 2(b). EZO COLOR FOR 9MM THICKNESS

Select these EzoColors for 9mm thick EzoBord only.

Code	Description	Code	Description
<b>VC97</b>	Vanilla Cream	<b>LB01</b>	Light Beige
<b>SP99</b>	Sunset Pink	<b>DS10</b>	Desert Sand
<b>MN12</b>	Midnight Navy	<b>SG04</b>	Silver Gray
<b>RB08</b>	Royal Blue	<b>EG11</b>	Elephant Gray
<b>EB50</b>	Evening Blue	<b>CG06</b>	Charcoal Gray
<b>AB32</b>	Aegean Blue	<b>PB09</b>	Pure Black
<b>MG10</b>	Moss Green	<b>DP30</b>	Deep Purple
<b>SD18</b>	Sunny Days	<b>TO24</b>	Tiger Orange
<b>CW04</b>	Classic White	<b>RR25</b>	Ruby Red
<b>PI14</b>	Polar Ice	<b>ES07</b>	Ebony Slate

[See page 101 for EzoBord color images](#)

## 2(c). EZO COLOR FOR 12MM THICKNESS

Select these EzoColors for 12mm thick EzoBord only.

Code	Description	Code	Description
<b>VC97</b>	Vanilla Cream	<b>LB01</b>	Light Beige
<b>SP99</b>	Sunset Pink	<b>DS10</b>	Desert Sand
<b>MN12</b>	Midnight Navy	<b>SG04</b>	Silver Gray
<b>RB08</b>	Royal Blue	<b>EG11</b>	Elephant Gray
<b>EB50</b>	Evening Blue	<b>CG06</b>	Charcoal Gray
<b>AB32</b>	Aegean Blue	<b>PB09</b>	Pure Black
<b>MG10</b>	Moss Green	<b>GV36</b>	Grape Vine
<b>SD18</b>	Sunny Days	<b>BR34</b>	Brick Red
<b>CW04</b>	Classic White	<b>TB35</b>	Tree Bark
<b>PI14</b>	Polar Ice	<b>BG07</b>	Bold Gray

[See page 101 for EzoBord color images](#)

## HOW TO ORDER

**FTWP 9 - 24 48 CG06**

1. Product Code      2. Thickness      Width      Height      2(b). Ezo Color

## MOUNTING REQUIREMENTS

Recommended mounting: Ezo Tape - see page # for details and ordering.

## Fabric Wrapped Acoustic Wall Panels

### ■ Decorative Tack

---

Decorative Tack is designed for use on walls where a long lasting tackable surface is needed. While dampening noise, Decorative Tack can also be used as attractive, visual installations that add color and texture to a room. Available in 1/2" thickness with an NRC rating of .35 and STC rating of 25

### ■ Acoustical Wall Panels

---

Form and function work together to provide visually interesting installations while reducing ambient noise and increasing workplace productivity. Egan acoustic panels are designed to help control echo and sound bounce within a room, and to stop sound from escaping or entering a room.

Series 3 panels are an ideal solution to effectively reducing dB levels in a room. These panels have an NRC rating of .85 (1") and 1.05 (2"). Specify your choice of acoustic fabric from Guilford of Maine, select Maharam, and COM fabrics.

**EGAN**

**FABRIC WRAPPED  
ACOUSTIC SOLUTIONS**

**BUILT  
TO INSPIRE**

Acoustic Wall Panels

# Decorative Tack Panel

Decorative Tack Panel can be used as a tackable surface or purely visual piece adding color, texture, and added STC to a room. Conference rooms, classrooms, offices and hospital patient rooms are just a few perfect applications for these panels.

### 1/2" Panel Thickness (Base list price Standard Fabric)

Inches	12"	18"	24"	30"	36"	42"	48"
12"	\$140	\$150	\$160	\$180	\$190	\$210	\$220
18"	\$150	\$170	\$190	\$210	\$220	\$250	\$270
24"	\$160	\$190	\$210	\$240	\$260	\$290	\$310
30"	\$180	\$210	\$240	\$270	\$300	\$330	\$360
36"	\$190	\$220	\$260	\$300	\$380	\$420	\$460
42"	\$210	\$250	\$290	\$330	\$420	\$510	\$550
48"	\$220	\$270	\$310	\$360	\$460	\$550	\$590
54"	\$230	\$280	\$340	\$420	\$510	\$590	\$640
60"	\$270	\$330	\$390	\$490	\$600	\$690	\$750
66"	\$300	\$370	\$440	\$550	\$670	\$780	\$840
72"	\$310	\$390	\$470	\$590	\$700	\$830	\$900
78"	\$330	\$400	\$500	\$620	\$750	\$870	\$940
84"	\$370	\$450	\$540	\$680	\$820	\$950	\$1,030
90"	\$410	\$490	\$590	\$740	\$890	\$1,040	\$1,120
96"	\$420	\$510	\$610	\$770	\$920	\$1,080	\$1,170
102"	\$480	\$580	\$730	\$840	\$1,000	\$1,130	\$1,220
108"	\$500	\$600	\$750	\$860	\$1,030	\$1,170	\$1,270
114"	\$510	\$620	\$780	\$900	\$1,070	\$1,210	\$1,320
120"	\$520	\$640	\$810	\$920	\$1,100	\$1,250	\$1,360

### 1/2" Panel Thickness (Base list price Grade A Fabric)

Inches	12"	18"	24"	30"	36"	42"	48"
12"	\$220	\$230	\$240	\$250	\$270	\$290	\$300
18"	\$230	\$250	\$260	\$290	\$300	\$320	\$350
24"	\$240	\$260	\$290	\$320	\$340	\$370	\$390
30"	\$250	\$290	\$320	\$350	\$380	\$410	\$440
36"	\$270	\$300	\$340	\$380	\$500	\$540	\$570
42"	\$290	\$320	\$370	\$410	\$540	\$620	\$660
48"	\$300	\$350	\$390	\$440	\$570	\$660	\$710
54"	\$360	\$410	\$460	\$550	\$630	\$720	\$770
60"	\$390	\$450	\$520	\$610	\$720	\$820	\$870
66"	\$430	\$490	\$560	\$680	\$790	\$910	\$970
72"	\$450	\$530	\$610	\$730	\$840	\$970	\$1,040
78"	\$470	\$540	\$640	\$760	\$880	\$1,010	\$1,080
84"	\$510	\$590	\$680	\$820	\$960	\$1,090	\$1,170
90"	\$560	\$640	\$740	\$890	\$1,040	\$1,190	\$1,270
96"	\$570	\$660	\$760	\$920	\$1,080	\$1,230	\$1,320
102"	\$630	\$740	\$880	\$990	\$1,150	\$1,280	\$1,370
108"	\$680	\$780	\$930	\$1,040	\$1,210	\$1,350	\$1,450
114"	\$690	\$800	\$950	\$1,070	\$1,240	\$1,390	\$1,500
120"	\$700	\$820	\$990	\$1,100	\$1,280	\$1,430	\$1,540

Custom sizes available - Please reach out for quote  
 Custom Fabric Upcharge: \$150 List handling fee. Customer required to purchase fabric.

#### 1. PRODUCT CODE

Code	Description
SIDT	Decorative Tack Panel

#### 2. MOUNTS

Code	Mount Option	Price
Z	Z-Clip	\$ 70

#### 3. EDGE DETAIL

Code	Description
S	Square



#### 4. CORNER DETAIL

Code	Description
S	Square



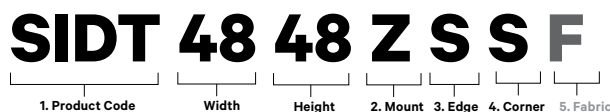
#### 5. FABRIC

Acoustic Fabrics - included in list price	Grade A Fabrics
FR701 (Style 2100)	Manner (466177)
Anchorage (Style 2977)	Metric (466914)
Crosstown (Style 5118)	Muse (466487)
Marin (Style 1300)	Meld (466387)
Resolve (Style 1300)	Murmur (466446)
<a href="#">See page 12 for fabric options</a>	<a href="#">See page 12 for fabric options</a>

#### RATINGS

NRC Rating	STC Rating
.35	25

#### HOW TO ORDER



# APS-3 Acoustic Fiberglass Panels

Series 3 panels are used extensively in auditoriums, conference rooms, offices, open plan areas, classrooms, and many other areas where the sound levels need adjusting. Designed to reduce dB levels, these acoustical panels have a NRC rating of .85 (1") and 1.05 (2").

## 1" Panel Thickness (Base list price Standard Fabric)

Inches	12"	18"	24"	30"	36"	42"	48"
12"	\$150	\$160	\$170	\$190	\$200	\$210	\$220
18"	\$160	\$180	\$190	\$210	\$230	\$250	\$270
24"	\$170	\$190	\$220	\$250	\$270	\$300	\$320
30"	\$190	\$210	\$250	\$280	\$300	\$340	\$360
36"	\$200	\$230	\$270	\$300	\$390	\$430	\$470
42"	\$210	\$250	\$300	\$340	\$430	\$520	\$560
48"	\$220	\$270	\$320	\$360	\$470	\$560	\$610
54"	\$240	\$290	\$340	\$430	\$520	\$600	\$650
60"	\$280	\$330	\$400	\$500	\$610	\$710	\$760
66"	\$320	\$380	\$450	\$560	\$680	\$810	\$870
72"	\$330	\$400	\$480	\$600	\$720	\$850	\$910
78"	\$340	\$420	\$500	\$630	\$760	\$890	\$950
84"	\$380	\$460	\$550	\$700	\$840	\$980	\$1,050
90"	\$420	\$510	\$600	\$760	\$910	\$1,070	\$1,150
96"	\$430	\$520	\$620	\$780	\$950	\$1,110	\$1,200
102"	\$500	\$600	\$750	\$850	\$1,020	\$1,150	\$1,250
108"	\$520	\$620	\$780	\$880	\$1,060	\$1,200	\$1,300
114"	\$530	\$640	\$800	\$920	\$1,090	\$1,240	\$1,340
120"	\$540	\$660	\$840	\$940	\$1,120	\$1,280	\$1,390

## 2" Panel Thickness (Base list price Standard Fabric)

Inches	12"	18"	24"	30"	36"	42"	48"
12"	\$150	\$160	\$180	\$190	\$210	\$220	\$230
18"	\$160	\$180	\$200	\$220	\$250	\$270	\$280
24"	\$180	\$200	\$230	\$260	\$280	\$310	\$340
30"	\$190	\$220	\$260	\$290	\$320	\$350	\$380
36"	\$210	\$250	\$280	\$320	\$410	\$460	\$490
42"	\$220	\$270	\$310	\$350	\$460	\$550	\$590
48"	\$230	\$280	\$340	\$380	\$490	\$590	\$640
54"	\$250	\$310	\$360	\$460	\$550	\$640	\$690
60"	\$290	\$350	\$420	\$520	\$640	\$740	\$810
66"	\$330	\$390	\$470	\$590	\$720	\$850	\$910
72"	\$340	\$420	\$500	\$630	\$760	\$900	\$960
78"	\$360	\$440	\$530	\$670	\$810	\$930	\$1,010
84"	\$390	\$490	\$580	\$730	\$890	\$1,030	\$1,110
90"	\$440	\$530	\$630	\$800	\$960	\$1,120	\$1,210
96"	\$450	\$550	\$660	\$830	\$1,000	\$1,170	\$1,260
102"	\$520	\$630	\$790	\$900	\$1,070	\$1,210	\$1,320
108"	\$540	\$650	\$810	\$930	\$1,110	\$1,270	\$1,370
114"	\$550	\$670	\$840	\$970	\$1,150	\$1,310	\$1,420
120"	\$560	\$690	\$880	\$1,000	\$1,190	\$1,350	\$1,470

## 1" Panel Thickness (Base list price Grade A Fabric)

Inches	12"	18"	24"	30"	36"	42"	48"
12"	\$230	\$230	\$250	\$260	\$280	\$290	\$300
18"	\$230	\$250	\$270	\$290	\$310	\$330	\$350
24"	\$250	\$270	\$300	\$320	\$350	\$380	\$400
30"	\$260	\$290	\$320	\$350	\$380	\$420	\$440
36"	\$280	\$310	\$350	\$380	\$510	\$550	\$580
42"	\$290	\$330	\$380	\$420	\$550	\$640	\$680
48"	\$300	\$350	\$400	\$440	\$580	\$680	\$720
54"	\$360	\$420	\$470	\$560	\$640	\$730	\$780
60"	\$400	\$460	\$520	\$620	\$740	\$830	\$890
66"	\$440	\$500	\$570	\$690	\$810	\$930	\$990
72"	\$470	\$540	\$620	\$740	\$860	\$990	\$1,050
78"	\$480	\$560	\$640	\$770	\$900	\$1,030	\$1,090
84"	\$520	\$600	\$690	\$840	\$980	\$1,120	\$1,190
90"	\$570	\$660	\$750	\$910	\$1,060	\$1,220	\$1,300
96"	\$580	\$680	\$780	\$940	\$1,100	\$1,260	\$1,350
102"	\$650	\$750	\$900	\$1,010	\$1,170	\$1,300	\$1,400
108"	\$700	\$800	\$950	\$1,060	\$1,230	\$1,380	\$1,470
114"	\$710	\$810	\$980	\$1,090	\$1,270	\$1,410	\$1,520
120"	\$720	\$840	\$1,010	\$1,120	\$1,300	\$1,450	\$1,560

## 2" Panel Thickness (Base list price Grade A Fabric)

Inches	12"	18"	24"	30"	36"	42"	48"
12"	\$230	\$240	\$260	\$270	\$290	\$300	\$310
18"	\$240	\$260	\$280	\$300	\$320	\$350	\$360
24"	\$260	\$280	\$310	\$340	\$360	\$390	\$420
30"	\$270	\$300	\$340	\$370	\$400	\$430	\$460
36"	\$290	\$320	\$360	\$430	\$530	\$570	\$610
42"	\$300	\$350	\$390	\$470	\$570	\$660	\$710
48"	\$310	\$360	\$420	\$500	\$610	\$710	\$750
54"	\$360	\$420	\$470	\$570	\$660	\$750	\$810
60"	\$410	\$480	\$540	\$650	\$770	\$870	\$930
66"	\$470	\$530	\$610	\$680	\$860	\$990	\$1,050
72"	\$480	\$560	\$640	\$730	\$900	\$1,030	\$1,100
78"	\$500	\$580	\$670	\$770	\$940	\$1,070	\$1,150
84"	\$550	\$640	\$740	\$880	\$1,040	\$1,180	\$1,270
90"	\$590	\$680	\$780	\$950	\$1,110	\$1,270	\$1,370
96"	\$600	\$700	\$810	\$980	\$1,150	\$1,320	\$1,410
102"	\$700	\$810	\$960	\$1,080	\$1,250	\$1,390	\$1,500
108"	\$720	\$830	\$990	\$1,110	\$1,290	\$1,440	\$1,550
114"	\$730	\$840	\$1,020	\$1,140	\$1,330	\$1,490	\$1,600
120"	\$750	\$880	\$1,070	\$1,190	\$1,380	\$1,540	\$1,660

Custom sizes available - Select next larger size and add \$250 to list / item

Custom Fabric Upcharge: \$150 List handling fee. Customer required to purchase fabric COM (customer's own material).

Acoustic Wall Panels

# APS-3 Acoustic Fiberglass Panels

## 1. PRODUCT CODE

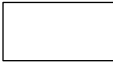
Code	Description
SIAPS31	Acoustical Panel System - 3 1"
SIAPS32	Acoustical Panel System - 3 2"

## 2. MOUNTS

Code	Mount Option	Price
Z	Z-Clip	\$ 70
V	Velcro + Construction Adhesive	Spot Quote - Call CS


## 3. EDGE DETAIL

Code	Description
S	Square



## 4. CORNER DETAIL

Code	Description
S	Square



## RATINGS

Noise Reduction Coefficient - NRC	
1"	.85
2"	1.05

## 5. FABRIC

Acoustic Fabrics - included in list price	Grade A Fabrics
FR701 (Style 2100)	Manner (466177)
Anchorage (Style 2977)	Metric (466914)
Crosstown (Style 5118)	Muse (466487)
Marin (Style 1300)	Meld (466387)
Resolve (Style 1300)	Murmur (466446)
<a href="#">See page 12 for fabric options</a>	<a href="#">See page 12 for fabric options</a>

## HOW TO ORDER

**SIAPS31 V 48 48 S S FS**

1. Product Code    2. Mount    Width    Height    3. Edge    4. Corner    5. Fabric

## Desk Dividers

### ■ Hoody Acoustic Desk Divider

Hoody acoustic desk dividers transform open-plan offices into private, serene workspaces. These dividers are easy to install, and can be fitted onto any new or existing desk/benching systems in seconds, without the use of any tools. All Hoody models are compatible with virtually any manufacturer including all major office furniture brands. Hoody acoustic desk dividers can be used on a single desktop, linked on a bench, or as multiple independent modules. They can also be combined in many colors to match your style. Designed to adapt to any office environment and furniture design, our dividers are offered in two lengths and two return screen sizes. The return screens feature an adjustable slide to fit a wide range of desk thicknesses, ensuring a perfect match with your office furniture

### ■ Acoustic Desk Privacy Panel & Divider

The privacy panels offer effective soundproofing for offices, enhancing privacy and adding aesthetic appeal with various colors and styles. Available in 3 shapes, these partitions, designed to separate workspaces, come in various sizes to fit different desks. Additionally, Modesty Panels extend below desk height, offering extra privacy and superior sound reduction with an NRC rating of .85, improving overall office functionality and speech clarity.

### ■ Study Carrel

Study Carrel enhances acoustics by absorbing sound, optimizing speech intelligibility and ensuring privacy in multi-workstation office environments. Beyond mere desk dividers, this system integrates seamlessly with various furniture systems, offering customizable configurations suitable for any back-to-back workstation setup. Its modular design allows for infinite linking possibilities, providing both acoustic benefits and aesthetic enhancements with a range of color and style options.

### ■ Acoustic Desk Modesty Panels - Full & Half Desk

The Acoustic Desks Screen offers a multi-purpose solution for the modern open-plan workspace, designed to reduce noise, increase privacy, and add a touch of color and style to your workspace. With an NRC rating of 0.85, this screen is effective at creating a quieter, more focused workspace contributing positively to the overall productivity and ambiance of the office. The Acoustic Desk Screens are tackable, doubling as a pinboard for employees to organize notes and documents conveniently. Compatible with most table desks, these screens are an eco-friendly alternative to traditional fabric-covered desk screens.

### ■ Acoustic Corner Desk Screen

The Acoustic Corner Screens provide sound absorption, spatial division, and privacy reinforcement through advanced acoustic properties tailored for corner desk configurations. Available in diverse styles and color options, Corner Screens enhance office interior design while optimizing workspace functionality.

# Hoody Acoustic Desk Divider

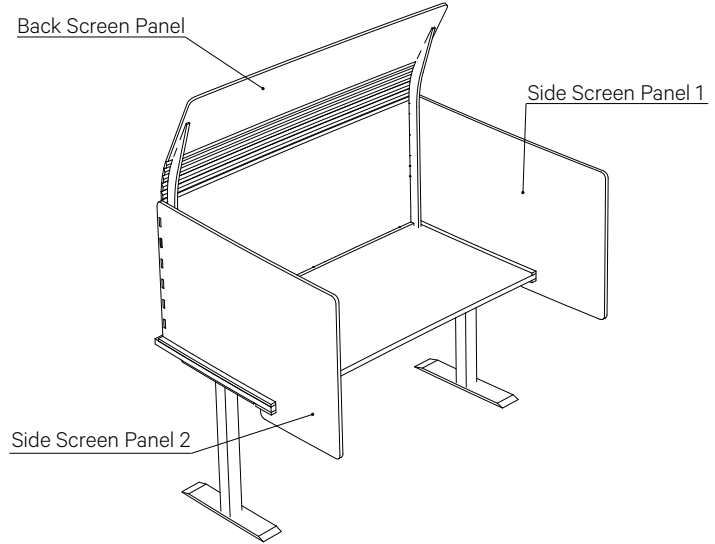
## 1. PRODUCT CODE

Code	Description
<b>HDBS</b>	Hoody Back Screen Panel
<b>HDRS</b>	*Hoody Side Screen Panel

The Hoody Side Screen Panel (HDRS) is sold as a single panel. Ensure correct quantity is ordered for your system installation.

A single work station Hoody system requires One (1) Back Screen and Two (2) Side Screens.

A modular or benching work station Hoody system would require side screens at the ends of the runs as well as at each back screen seam .



## SIZE & PRICE

### BACK SCREEN PANEL

Width x Height	Back Screen Panel Code: HDBS
59" w x 45" h	\$1,930
71" w x 45" h	\$2,510

### SIDE SCREEN PANEL

Depth x Height	Side Screen Panel Code: HDRS
24" d x 24" h	\$320
30" d x 24" h	\$410

\*Complete Hoody system requires One (1) Back Screen and Two (2) Side Screens

## 2. THICKNESS

Code	Description
<b>12</b>	12mm (1/2")

## 3. EZO COLOR (12mm Depth)

Code	Description	Code	Description
<b>VC97</b>	Vanilla Cream	<b>LB01</b>	Light Beige
<b>SP99</b>	Sunset Pink	<b>DS10</b>	Desert Sand
<b>MN12</b>	Midnight Navy	<b>SG04</b>	Silver Gray
<b>RB08</b>	Royal Blue	<b>EG11</b>	Elephant Gray
<b>EB50</b>	Evening Blue	<b>CG06</b>	Charcoal Gray
<b>AB32</b>	Aegean Blue	<b>PB09</b>	Pure Black
<b>MG10</b>	Moss Green	<b>GV36</b>	Grape Vine
<b>SD18</b>	Sunny Days	<b>BR34</b>	Brick Red
<b>CW04</b>	Classic White	<b>TB35</b>	Tree Bark
<b>PI14</b>	Polar Ice	<b>BG07</b>	Bold Gray

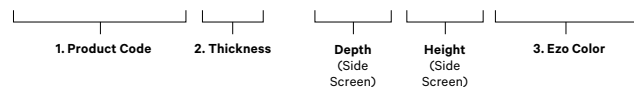
[See page 101 for EzoBord color images.](#)

## HOW TO ORDER

**HDBS 12 - 59 45 LB01**



**HDRS 12 - 30 24 LB01**



## MOUNTING

Hoody is designed to be freestanding and does not require additional mounting. Ezo tape can be specified for additional mounting on Accessories & Hardware page #. Front edge wraps around surface for additional support and stability.



# Acoustic Desk Privacy Panel

## 1. PRODUCT CODE

Code	Description
<b>SIGT</b>	Acoustic Desk Privacy Panel

## 2. THICKNESS

Code	Description
<b>12</b>	12mm (1/2")

## SIZE & PRICE

Code & Size	Price
<b>SIGT 12-60 16</b> 60"w x 15.5"h	\$410
<b>SIGT 12-60 24</b> 60"w x 23.5"h	\$580
<b>SIGT 12-72 16</b> 72"w x 15.5"h	\$480
<b>SIGT 12-72 24</b> 72"w x 23.5"h	\$700

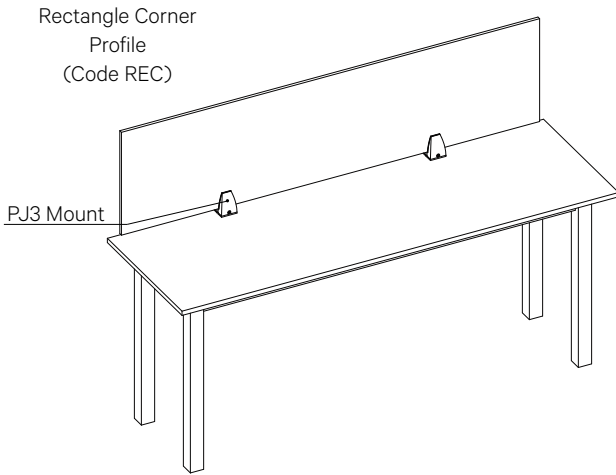
## 3. CORNER PROFILE

Code	Description
<b>REC</b>	Rectangle
<b>RDR</b>	Rounded Corner Rectangle (Fillested)

## 4. EZO COLOR (12mm Depth)

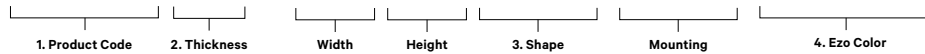
Code	Description	Code	Description
<b>VC97</b>	Vanilla Cream	<b>LB01</b>	Light Beige
<b>SP99</b>	Sunset Pink	<b>DS10</b>	Desert Sand
<b>MN12</b>	Midnight Navy	<b>SG04</b>	Silver Gray
<b>RB08</b>	Royal Blue	<b>EG11</b>	Elephant Gray
<b>EB50</b>	Evening Blue	<b>CG06</b>	Charcoal Gray
<b>AB32</b>	Aegean Blue	<b>PB09</b>	Pure Black
<b>MG10</b>	Moss Green	<b>GV36</b>	Grape Vine
<b>SD18</b>	Sunny Days	<b>BR34</b>	Brick Red
<b>CW04</b>	Classic White	<b>TB35</b>	Tree Bark
<b>PI14</b>	Polar Ice	<b>BG07</b>	Bold Gray

[See page 101 for EzoBord color images](#)



## HOW TO ORDER

# SIGT 12 - 72 16 REC PJ3 CG06



## MOUNTING REQUIREMENTS

- Surface mounting: surface mount desk screen bracket (PJ3) minimum of two (2) recommended.
- Edge mounting: under mount desk screen bracket (PJ4) minimum of two (2) recommended.

# Acoustic Desk Divider

## 1. PRODUCT CODE

Code	Description
SIRTS	Acoustic Desk Divider

## 2. THICKNESS

Code	Description
12	12mm (1/2")

## SIZE & PRICE

Code & Size	Price
<b>SIRTS 12-24 16</b> 23.5"w x 15.5"h	\$180
<b>SIRTS 12-24 24</b> 23.5"w x 23.5"h	250
<b>SIRTS 12-30 16</b> 30"w x 15.5"h	\$230
<b>SIRTS 12-30 24</b> 30"w x 23.5"h	\$330

## 3. CORNER PROFILE

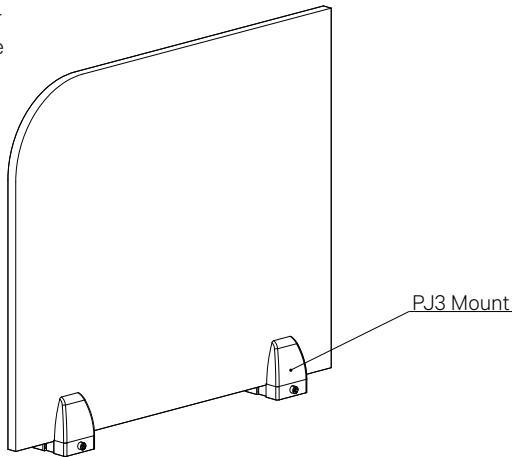
Code	Description
REC	Rectangle
RDR	Rounded Corner Rectangle (Filletted)

## 4. EZO COLOR (12mm Depth)

Code	Description	Code	Description
VC97	Vanilla Cream	LB01	Light Beige
SP99	Sunset Pink	DS10	Desert Sand
MN12	Midnight Navy	SG04	Silver Gray
RB08	Royal Blue	EG11	Elephant Gray
EB50	Evening Blue	CG06	Charcoal Gray
AB32	Aegean Blue	PB09	Pure Black
MG10	Moss Green	GV36	Grape Vine
SD18	Sunny Days	BR34	Brick Red
CW04	Classic White	TB35	Tree Bark
PI14	Polar Ice	BG07	Bold Gray

[See page 101 for EzoBord color images](#)

Rounded Corner Rectangle Profile (Code RDR)



## HOW TO ORDER

# SIRTS 12 - 24 16 REC PJ3 CG06



## MOUNTING REQUIREMENTS

- Surface mounting: surface mount desk screen bracket (PJ3) minimum of two (2) recommended.
- Edge mounting: under mount desk screen bracket (PJ4) minimum of two (2) recommended.

# Study Carrel

## 1. PRODUCT CODE

Code	Description
<b>SISTC</b>	Study Carrel

## 2. THICKNESS

Code	Description
<b>12</b>	12mm (1/2")

## SIZE & PRICE

Code & Size	Price
<b>SISTC 12-60 24 24</b> 60"w x 23.5"h x 24"d	\$880
<b>SISTC 12-60 24 30</b> 60"w x 23.5"h x 30"d	\$1,160
<b>SISTC 12-72 24 24</b> 72"w x 23.5"h x 24"d	\$1,160
<b>SISTC 12-72 24 30</b> 72"w x 23.5"h x 30"d	\$1,210

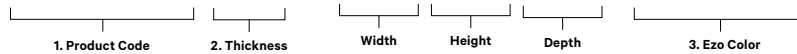
## 3. EZO COLOR (12mm Depth)

Code	Description	Code	Description
<b>VC97</b>	Vanilla Cream	<b>LB01</b>	Light Beige
<b>SP99</b>	Sunset Pink	<b>DS10</b>	Desert Sand
<b>MN12</b>	Midnight Navy	<b>SG04</b>	Silver Gray
<b>RB08</b>	Royal Blue	<b>EG11</b>	Elephant Gray
<b>EB50</b>	Evening Blue	<b>CG06</b>	Charcoal Gray
<b>AB32</b>	Aegean Blue	<b>PB09</b>	Pure Black
<b>MG10</b>	Moss Green	<b>GV36</b>	Grape Vine
<b>SD18</b>	Sunny Days	<b>BR34</b>	Brick Red
<b>CW04</b>	Classic White	<b>TB35</b>	Tree Bark
<b>PI14</b>	Polar Ice	<b>BG07</b>	Bold Gray

[See page 101 for EzoBord color images](#)

## HOW TO ORDER

# SISTC 12 - 60 24 30 CG06



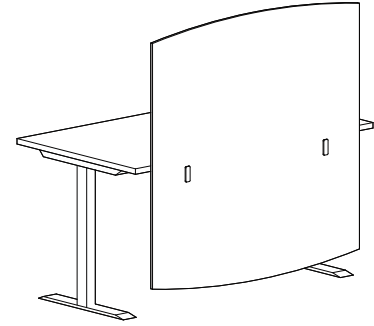
## MOUNTING REQUIREMENTS

- Study Carrel is designed to be freestanding and does not require additional mounting. Ezo tape can be specified for additional mounting on Accessories & Hardware page #.
- If physical mounts are requested for security, four (4) of PJ3 or PJ4 are required (1 for each side, and 2 for the back). See Accessories & Hardware page #.

# Acoustic Full Desk Modesty Panel

## 1. PRODUCT CODE

Code	Description
<b>SIMDS</b>	Acoustic Desk Modesty Panel - under desk mounted full privacy coverage



## SIZE & PRICE

Thickness	Code & Size	Price
12mm	<b>SIMDS 12-48 40</b> 48" w x 40" h	\$1,040
12mm	<b>SIMDS 12-60 40</b> 60" w x 40" h	\$1,300
12mm	<b>SIMDS 12-66 40</b> 66" w x 40" h	\$1,430
12mm	<b>SIMDS 12- 72 40</b> 72" w x 40" h	\$1,560
18mm	<b>SIMDS 18-48 40</b> 48" w x 40" h	\$1,520
18mm	<b>SIMDS 18-60 40</b> 60" w x 40" h	\$1,900
18mm	<b>SIMDS 18-66 40</b> 66" w x 40" h	\$2,090
18mm	<b>SIMDS 18- 72 40</b> 72" w x 40" h	\$2,280

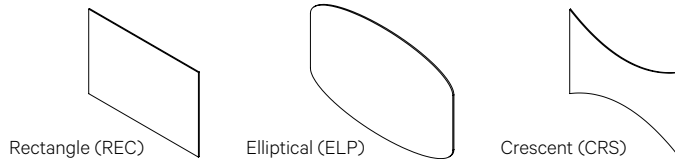
## 2. THICKNESS

Code	Description
<b>12</b>	12mm (1/2")
<b>18*</b>	18mm (3/4")

\*uses 9mm colors options

## 3. SHAPE

Code	Description
<b>REC</b>	Rectangle
<b>ELP</b>	Elliptical
<b>CRS</b>	Crescent



## 5 (a). EZO COLOR (12mm Depth)

Code	Description	Code	Description
<b>VC97</b>	Vanilla Cream	<b>LB01</b>	Light Beige
<b>SP99</b>	Sunset Pink	<b>DS10</b>	Desert Sand
<b>MN12</b>	Midnight Navy	<b>SG04</b>	Silver Gray
<b>RB08</b>	Royal Blue	<b>EG11</b>	Elephant Gray
<b>EB50</b>	Evening Blue	<b>CG06</b>	Charcoal Gray
<b>AB32</b>	Aegean Blue	<b>PB09</b>	Pure Black
<b>MG10</b>	Moss Green	<b>GV36</b>	Grape Vine
<b>SD18</b>	Sunny Days	<b>BR34</b>	Brick Red
<b>CW04</b>	Classic White	<b>TB35</b>	Tree Bark
<b>PI14</b>	Polar Ice	<b>BG07</b>	Bold Gray

[See page 101 for EzoBord color images](#)

## 5 (b). EZO COLOR (18mm Depth)

Code	Description	Code	Description
<b>VC97</b>	Vanilla Cream	<b>LB01</b>	Light Beige
<b>SP99</b>	Sunset Pink	<b>DS10</b>	Desert Sand
<b>MN12</b>	Midnight Navy	<b>SG04</b>	Silver Gray
<b>RB08</b>	Royal Blue	<b>EG11</b>	Elephant Gray
<b>EB50</b>	Evening Blue	<b>CG06</b>	Charcoal Gray
<b>AB32</b>	Aegean Blue	<b>PB09</b>	Pure Black
<b>MG10</b>	Moss Green	<b>DP30</b>	Deep Purple
<b>SD18</b>	Sunny Days	<b>TO24</b>	Tiger Orange
<b>CW04</b>	Classic White	<b>RR25</b>	Ruby Red
<b>PI14</b>	Polar Ice	<b>ES07</b>	Ebony Slate

[See page 101 for EzoBord color images](#)

Important Note: Uses 9mm colors options

## HOW TO ORDER

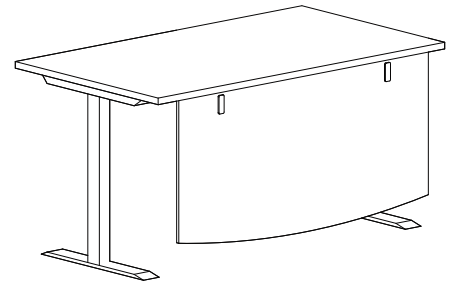
# SIMDS 12 - 48 40 - REC PJ17 CG06



## MOUNTING

Recommended mounting: surface mount screen bracket (PJ-17). Quantity required is two (2).

# Acoustic Half Desk Modesty Panel



## 1. PRODUCT CODE

Code	Description
<b>SIMDP</b>	Acoustic Desk Lower Modesty Panel - under desk mount, lower half privacy.

## SIZE & PRICE

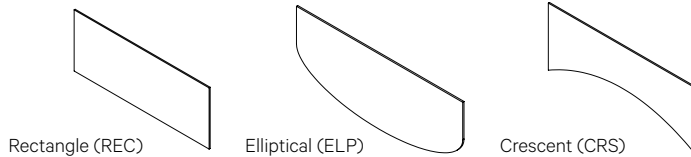
Thickness	Code & Size	Price
12mm	<b>SIMDP 12-48 24</b> 48"w x 23.5"h	\$600
12mm	<b>SIMDP 12-60 24</b> 60"w x 23.5"h	\$750
12mm	<b>SIMDP 12-66 24</b> 66"w x 23.5"h	\$825
12mm	<b>SIMDP 12-72 24</b> 72"w x 23.5"h	\$900
18mm	<b>SIMDP 18-48 24</b> 48"w x 23.5"h	\$1,360
18mm	<b>SIMDP 18-60 24</b> 60"w x 23.5"h	\$1,700
18mm	<b>SIMDP 18-66 24</b> 66"w x 23.5"h	\$1,870
18mm	<b>SIMDP 18-72 24</b> 72"w x 23.5"h	\$2,040

## 2. THICKNESS

Code	Description
<b>12</b>	12mm (1/2")
<b>18*</b>	18mm (3/4")
*uses 9mm colors options	

## 3. SHAPE

Code	Description
<b>REC</b>	Rectangle
<b>ELP</b>	Elliptical
<b>CRS</b>	Crescent



## 4 (a). EZO COLOR (12mm Depth)

Code	Description	Code	Description
<b>VC97</b>	Vanilla Cream	<b>LB01</b>	Light Beige
<b>SP99</b>	Sunset Pink	<b>DS10</b>	Desert Sand
<b>MN12</b>	Midnight Navy	<b>SG04</b>	Silver Gray
<b>RB08</b>	Royal Blue	<b>EG11</b>	Elephant Gray
<b>EB50</b>	Evening Blue	<b>CG06</b>	Charcoal Gray
<b>AB32</b>	Aegean Blue	<b>PB09</b>	Pure Black
<b>MG10</b>	Moss Green	<b>GV36</b>	Grape Vine
<b>SD18</b>	Sunny Days	<b>BR34</b>	Brick Red
<b>CW04</b>	Classic White	<b>TB35</b>	Tree Bark
<b>PI14</b>	Polar Ice	<b>BG07</b>	Bold Gray

[See page 101 for EzoBord color images](#)

## 4 (b). EZO COLOR (18mm Depth)

Code	Description	Code	Description
<b>VC97</b>	Vanilla Cream	<b>LB01</b>	Light Beige
<b>SP99</b>	Sunset Pink	<b>DS10</b>	Desert Sand
<b>MN12</b>	Midnight Navy	<b>SG04</b>	Silver Gray
<b>RB08</b>	Royal Blue	<b>EG11</b>	Elephant Gray
<b>EB50</b>	Evening Blue	<b>CG06</b>	Charcoal Gray
<b>AB32</b>	Aegean Blue	<b>PB09</b>	Pure Black
<b>MG10</b>	Moss Green	<b>DP30</b>	Deep Purple
<b>SD18</b>	Sunny Days	<b>TO24</b>	Tiger Orange
<b>CW04</b>	Classic White	<b>RR25</b>	Ruby Red
<b>PI14</b>	Polar Ice	<b>ES07</b>	Ebony Slate

[See page 101 for EzoBord color images](#)

Important Note: Uses 9mm colors options

## HOW TO ORDER

# SIMDP 12 - 48 24 - REC PJ17 MN12



## MOUNTING

Recommended mounting: surface mount screen bracket (PJ-17). Quantity required is two (2).

Desk Dividers

# Acoustic Corner Desk Screen

## 1. PRODUCT CODE

Code	Description
<b>SIKS</b>	Acoustic Corner Screen

## 2. SINGLE OR VARIABLE HEIGHT

Code	Description
<b>SH</b>	Single Height
<b>VH</b>	Variable Height

## SIZE & PRICE

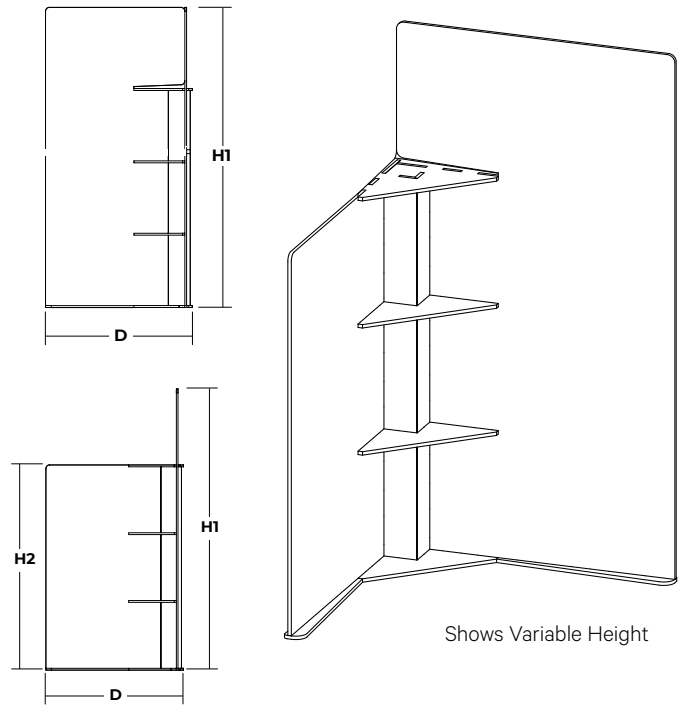
Height Configuration (Single Height or Variable Height)	Code & Size (Depth x Width x Height 1 x Height 2)	Price
Single Height	<b>Code: SIKSSH</b> 40"d x 40"w x 73"h x 73"h	\$3,630
Variable Height*	<b>Code: SIKSVH</b> 40"d x 40"w x 73"h x 53"h	\$4,450

\*Variable Height configuration can be switched for either left or right side of corner bracket during site installation giving flexibility of positioning of different size panels.

## 3. EZO COLOR (12mm Depth)

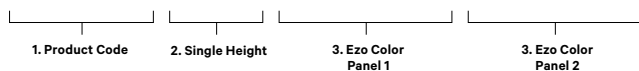
Code	Description	Code	Description
<b>VC97</b>	Vanilla Cream	<b>LB01</b>	Light Beige
<b>SP99</b>	Sunset Pink	<b>DS10</b>	Desert Sand
<b>MN12</b>	Midnight Navy	<b>SG04</b>	Silver Gray
<b>RB08</b>	Royal Blue	<b>EG11</b>	Elephant Gray
<b>EB50</b>	Evening Blue	<b>CG06</b>	Charcoal Gray
<b>AB32</b>	Aegean Blue	<b>PB09</b>	Pure Black
<b>MG10</b>	Moss Green	<b>GV36</b>	Grape Vine
<b>SD18</b>	Sunny Days	<b>BR34</b>	Brick Red
<b>CW04</b>	Classic White	<b>TB35</b>	Tree Bark
<b>PI14</b>	Polar Ice	<b>BG07</b>	Bold Gray

[See page 101 for EzoBord color images](#)

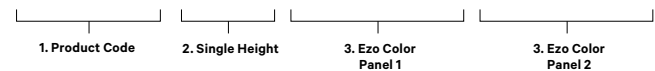


## HOW TO ORDER

# SIKS SH CG06 MG10



# SIKS VH CG06 MG10



## Room Dividers

### ■ Acoustic Hanging Dividers

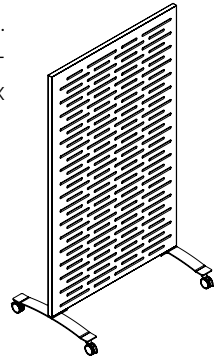
The Acoustic Wall Hanging Divider provide sound absorption, enhance speech clarity, and add privacy, color, and style to any open workspace. These dividers feature a fully tackable surface and are easy to install and adjust, with optional suspension hardware available separately.

### ■ Freestanding Screen

The Acoustic Wall Hanging Divider provide sound absorption, enhance speech clarity, and add privacy, color, and style to any open workspace. These dividers feature a fully tackable surface and are easy to install and adjust, with optional suspension hardware available separately.

### ■ Disperse™ Mobile

The all-new Disperse™ Acoustical Panels gives you new ways to influence your space and enhance people's experience within it. Thanks to its sound-damping core (PET with an NRC rating of 0.75) and surface design, you have enhanced ability to influence sounds, particularly in open spaces. For a unique and highly customizable visual design element turn to Disperse Acoustical Panels. Disperse mobiles can help with sound mitigation in many environments. Front-facing apertures in the surface available in Egan's wood stains, or specify Etex in a number of colors. Also available in wall mounted panels.



# ROOM DIVIDERS

**BUILT  
TO INSPIRE**

# Acoustic Hanging Wall Dividers

## 1. PRODUCT CODE

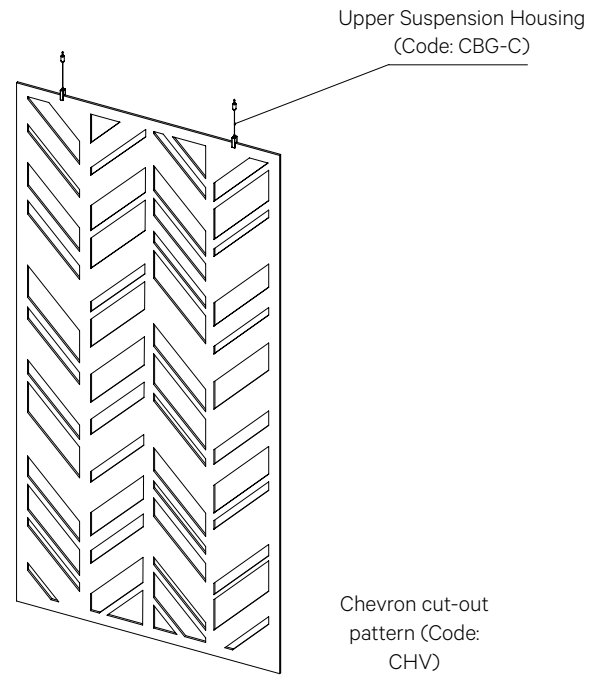
Code	Description
<b>SIWZD</b>	Acoustic Hanging Wall Dividers

## 2. THICKNESS

Code	Description
<b>9</b>	9mm (3/8")
<b>12</b>	12mm (1/2")

## SIZE & PRICE

Thickness	Code & Size	Price
9mm	<b>SIWZD 9-48 96</b> 47.5"w x 95"h	\$1,860
12mm	<b>SIWZD 12-48 96</b> 47.5"w x 95"h	\$2,490



## 3. PATTERN

Code	Description	Code	Description	Code	Description
<b>BAM</b>	Bamboo	<b>CUB</b>	Cube	<b>FLA</b>	Flatline
<b>BUB</b>	Bubble	<b>DAI</b>	Daire	<b>GAL</b>	Galaxy
<b>CHV</b>	Chevron	<b>DEC</b>	Deco	<b>LEA</b>	Leaf



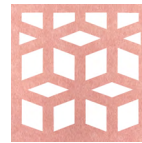
Bamboo



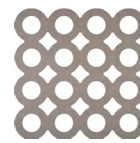
Bubble



Chevron



Cube



Daire



Deco



Flatline



Galaxy



Leaf

## 4 (a). EZO COLOR (9mm Depth)

Select these EzoColors for 9mm thick EzoBord only.

Code	Description	Code	Description
<b>VC97</b>	Vanilla Cream	<b>LB01</b>	Light Beige
<b>SP99</b>	Sunset Pink	<b>DS10</b>	Desert Sand
<b>MN12</b>	Midnight Navy	<b>SG04</b>	Silver Gray
<b>RB08</b>	Royal Blue	<b>EG11</b>	Elephant Gray
<b>EB50</b>	Evening Blue	<b>CG06</b>	Charcoal Gray
<b>AB32</b>	Aegean Blue	<b>PB09</b>	Pure Black
<b>MG10</b>	Moss Green	<b>DP30</b>	Deep Purple
<b>SD18</b>	Sunny Days	<b>TO24</b>	Tiger Orange
<b>CW04</b>	Classic White	<b>RR25</b>	Ruby Red
<b>PI14</b>	Polar Ice	<b>ES07</b>	Ebony Slate

[See page 101 for EzoBord color images](#)

## 4 (b). EZO COLOR (12mm Depth)

Select these EzoColors for 12mm thick EzoBord only.

Code	Description	Code	Description
<b>VC97</b>	Vanilla Cream	<b>LB01</b>	Light Beige
<b>SP99</b>	Sunset Pink	<b>DS10</b>	Desert Sand
<b>MN12</b>	Midnight Navy	<b>SG04</b>	Silver Gray
<b>RB08</b>	Royal Blue	<b>EG11</b>	Elephant Gray
<b>EB50</b>	Evening Blue	<b>CG06</b>	Charcoal Gray
<b>AB32</b>	Aegean Blue	<b>PB09</b>	Pure Black
<b>MG10</b>	Moss Green	<b>GV36</b>	Grape Vine
<b>SD18</b>	Sunny Days	<b>BR34</b>	Brick Red
<b>CW04</b>	Classic White	<b>TB35</b>	Tree Bark
<b>PI14</b>	Polar Ice	<b>BG07</b>	Bold Gray

[See page 101 for EzoBord color images](#)



# Acoustic Hanging Room Dividers

## HOW TO ORDER

# SIWZD 9-48 96 CHV CG06



## MOUNTING REQUIREMENTS

- Recommended mounting: upper suspension requires upper suspension housing (CF6-01). Quantity required two (2) + EzoBord clamp (CBG-C). Quantity two (2).
- Alternate mounting: Complete Suspension requires upper suspension housing (CF6-01). Quantity required two (2) + lower suspension housing (CF6-02) Quantity two (2) + EzoBord clamp (CBG-C). Quantity four (4) + suspension track (XT-04).
- Alternate mounting: T-Bar Clip. It requires T-Bar Clips quantity two (2). Push clips, wire crimps, and cable.

# Freestanding Screen

## 1. PRODUCT CODE

Code	Description
SIFSP	Freestanding Screen

## 2. THICKNESS

Code	Description
12	12mm (1/2")

## SIZE & PRICE

Freestanding Screen Partition Code: SIFSP	
48"w x 66"h	\$2,070
48"w x 72"h	\$2,145

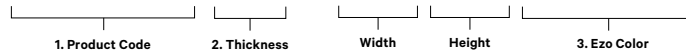
## 3. EZO COLOR (12mm Depth)

Code	Description	Code	Description
VC97	Vanilla Cream	LB01	Light Beige
SP99	Sunset Pink	DS10	Desert Sand
MN12	Midnight Navy	SG04	Silver Gray
RB08	Royal Blue	EG11	Elephant Gray
EB50	Evening Blue	CG06	Charcoal Gray
AB32	Aegean Blue	PB09	Pure Black
MG10	Moss Green	GV36	Grape Vine
SD18	Sunny Days	BR34	Brick Red
CW04	Classic White	TB35	Tree Bark
PI14	Polar Ice	BG07	Bold Gray

[See page 101 for EzoBord color images](#)

## HOW TO ORDER

**SIFSP 12 - 48 66 CG06**



# Disperse™ Acoustic Mobile

Disperse mobiles help with sound mitigation in open spaces. Thanks to its sound-damping core and surface design, you have enhanced ability to influence sounds. Front-facing apertures in the surface are available in Egan’s wood or Etex in a number of colors.

DISPERSE MOBILE Code: SIM		
	<b>Etex</b>	<b>Wood Stains</b>
36" w x 54" h	\$2,960	\$3,280
48" w x 54" h	\$3,040	\$3,310
36" w x 60" h	\$3,100	\$3,450
48" w x 60" h	\$3,470	\$3,820
36" w x 72" h	\$3,140	\$3,560
48" w x 72" h	\$3,410	\$3,740

## 1. PRODUCT CODE

Code	Description
<b>SIM</b>	Disperse Mobile

## 2. CORE FINISH

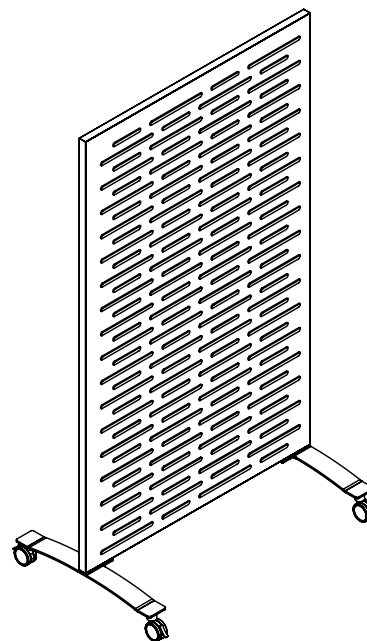
Code	Description
<b>T</b>	EzoBord   EganMetallic

Select options EzoBord colors from table 2(b) below.

## 2 (b). EZO COLOR (9mm Depth)

Code	Description	Code	Description
<b>VC97</b>	Vanilla Cream	<b>LB01</b>	Light Beige
<b>SP99</b>	Sunset Pink	<b>DS10</b>	Desert Sand
<b>MN12</b>	Midnight Navy	<b>SG04</b>	Silver Gray
<b>RB08</b>	Royal Blue	<b>EG11</b>	Elephant Gray
<b>EB50</b>	Evening Blue	<b>CG06</b>	Charcoal Gray
<b>AB32</b>	Aegean Blue	<b>PB09</b>	Pure Black
<b>MG10</b>	Moss Green	<b>DP30</b>	Deep Purple
<b>SD18</b>	Sunny Days	<b>TO24</b>	Tiger Orange
<b>CW04</b>	Classic White	<b>RR25</b>	Ruby Red
<b>PI14</b>	Polar Ice	<b>ES07</b>	Ebony Slate

[See page 101 for EzoBord color images](#)



## 3. SURFACE FINISH

Etex Color Options: Doors Only	
Code	Description
<b>EM</b>	EganMetallic
<b>BL</b>	Black
<b>CL</b>	Charcoal
<b>GR</b>	Gray
<b>PT</b>	Platinum
<b>PY</b>	Putty
<b>SN</b>	Sand
<b>SL</b>	Slate
<b>TA</b>	Taupe
<b>CC</b>	Custom Stain

Wood Stains: Doors Only		
Code	Description	Price
<b>HS</b>	Haystack	\$ 0
<b>WL</b>	Woodland	\$ 0
<b>DW</b>	Driftwood	\$ 0
<b>BB</b>	Barnboard	\$ 0
<b>CB</b>	Carbon	\$ 0
<b>NA</b>	Natural	\$ 0
<b>CS</b>	Custom Stain	\$ 300

# Disperse™ Acoustic Mcoustibile

## 4. FRAME COLOR

Code	Description	Price
CA	Clear Anodized	\$ 0
WH	White	\$ 150
BL	Black	\$ 150
CC	Custom Color	\$ 250

## 5. BASE COLOR

Mobile Only

Code	Description	Price
CA	Clear Anodized	\$ 0
WH	White	\$ 150
BL	Black	\$ 150
CC	Custom Color	\$ 250

## HOW TO ORDER

**SIM T VC07 36 72 HS HS CA CA**



## Acoustic Ceiling Baffles

### ■ Acoustic Ceiling Baffle

---

The Acoustic Ceiling Baffles are easy to install, and capable of transforming any space into a quieter, more comfortable area. They are impact-resistant, and resistant to moisture and bacteria, making them ideal for high-use environments like corporate offices, healthcare facilities, and educational institutions.

Made from 100% PET felt with a high percentage of recycled materials, each tile contributes to sustainability efforts. This focus on eco-friendly practices is important for projects that aim for LEED and GREENGUARD certifications, aligning with the growing demand for environmentally responsible building materials.

### ■ Grid Canopy Rectangle

---

Designed to reduce reverberation, the Grid Canopy improves speech clarity and contributes to the overall aesthetics of your environment. Ideal for managing sound in open-plan offices, boardrooms, and various public areas, this ceiling-mounted system is not only effective in absorbing noise but also offers a visually appealing element to your design scheme. Lightweight and easy to install, the EzoBord Grid Canopy comes with a selection of suspension hardware and is available in both monotone and duotone colors. Choose from tapered or rectangle designs to suit your space. Made from recycled materials, it's an eco-friendly choice for modern sound management.

# Acoustic Ceiling Baffles

## 1. PRODUCT CODE

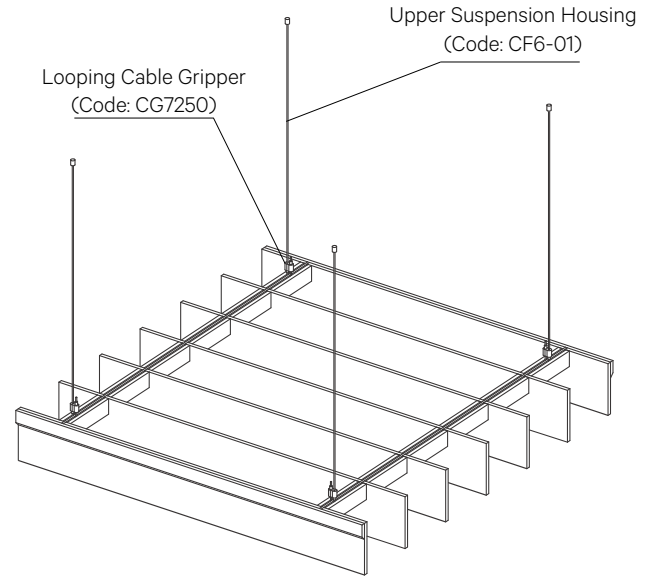
Code	Description
<b>SIBFC</b>	Acoustic Ceiling Baffle

## 2. THICKNESS

Code	Description
<b>9</b>	9mm (3/8")
<b>12</b>	12mm (1/2")

## SIZE & PRICE

Thickness	Density	Code & Size	Price
9mm Thickness	8"	<b>SIBFC 9-48 96-8</b> 47.5"w x 95"h	\$4,730
9mm Thickness	12"	<b>SIBFC 9-48 96-12</b> 47.5"w x 95"h	\$3,610
12mm Thickness	8"	<b>SIBFC 12-48 96-8</b> 47.5"w x 95"h	\$5,530
12mm Thickness	12"	<b>SIBFC 12-48 96-12</b> 47.5"w x 95"h	\$4,660



## 3. DENSITY

Code	Description
<b>8</b>	8"
<b>12</b>	12"

### 3 (b). EZO COLOR (9mm Depth)

Code	Description	Code	Description
<b>VC97</b>	Vanilla Cream	<b>LB01</b>	Light Beige
<b>SP99</b>	Sunset Pink	<b>DS10</b>	Desert Sand
<b>MN12</b>	Midnight Navy	<b>SG04</b>	Silver Gray
<b>RB08</b>	Royal Blue	<b>EG11</b>	Elephant Gray
<b>EB50</b>	Evening Blue	<b>CG06</b>	Charcoal Gray
<b>AB32</b>	Aegean Blue	<b>PB09</b>	Pure Black
<b>MG10</b>	Moss Green	<b>DP30</b>	Deep Purple
<b>SD18</b>	Sunny Days	<b>TO24</b>	Tiger Orange
<b>CW04</b>	Classic White	<b>RR25</b>	Ruby Red
<b>PI14</b>	Polar Ice	<b>ES07</b>	Ebony Slate

[See page 101 for EzoBord color images](#)

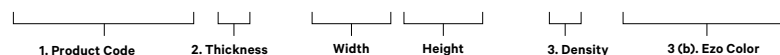
### 3 (b). EZO COLOR (12mm Depth)

Code	Description	Code	Description
<b>VC97</b>	Vanilla Cream	<b>LB01</b>	Light Beige
<b>SP99</b>	Sunset Pink	<b>DS10</b>	Desert Sand
<b>MN12</b>	Midnight Navy	<b>SG04</b>	Silver Gray
<b>RB08</b>	Royal Blue	<b>EG11</b>	Elephant Gray
<b>EB50</b>	Evening Blue	<b>CG06</b>	Charcoal Gray
<b>AB32</b>	Aegean Blue	<b>PB09</b>	Pure Black
<b>MG10</b>	Moss Green	<b>GV36</b>	Grape Vine
<b>SD18</b>	Sunny Days	<b>BR34</b>	Brick Red
<b>CW04</b>	Classic White	<b>TB35</b>	Tree Bark
<b>PI14</b>	Polar Ice	<b>BG07</b>	Bold Gray

[See page 101 for EzoBord color images](#)

## HOW TO ORDER

# SIBFC 9 - 48 96 - 8 CG06



## MOUNTING

Recommended mounting: suspended requires upper suspension housing (CF6-01) minimum quantity of four (4) + looping cable gripper (CG7250) quantity to match upper suspension housing.

# Acoustic Grid Canopy Ceiling Baffles

## 1. PRODUCT CODE

Code	Description
<b>SIGCREC</b>	Grid Canopy - Rectangle
<b>SIGCTRZ</b>	Grid Canopy - Trapezoid

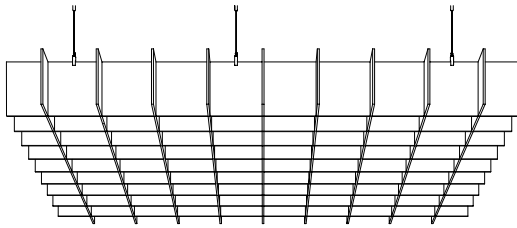
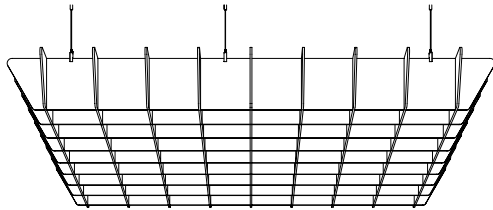
## 2. THICKNESS

Code	Description
<b>9</b>	9mm (3/8")
<b>12</b>	12mm (1/2")

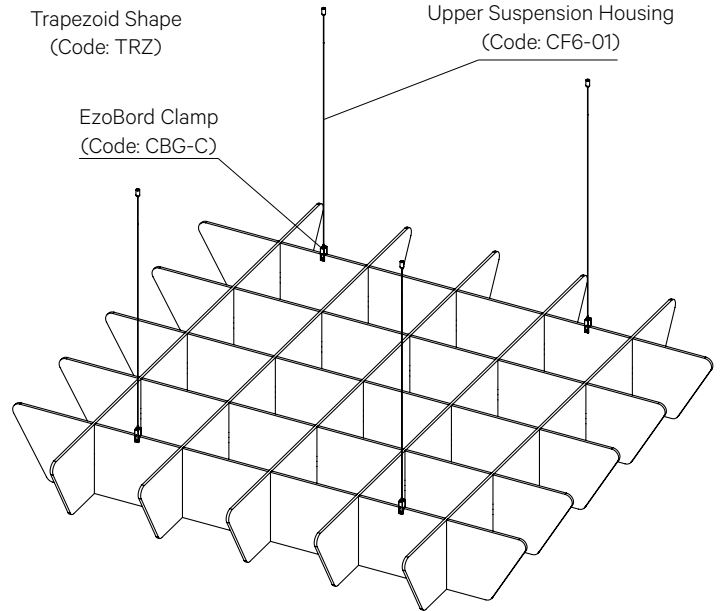
## SHAPE

Code	Description
<b>REC</b>	Rectangle
<b>TRZ</b>	Trapezoid

Trapezoid Shape  
(Code: TRZ)



Rectangle Shape  
(Code: REC)



## SIZE & PRICE

### RECTANGLE SHAPE

Thickness	Density	Code & Size	Price
9 mm Thickness	8"	<b>SIGCREC 9-48 96-8</b> 47.5"w x 95"h	\$7,140
9 mm Thickness	12"	<b>SIGCREC 9-48 96-12</b> 47.5"w x 95"h	\$5,250
12 mm Thickness	8"	<b>SIGCREC 12-48 96-8</b> 47.5"w x 95"h	\$8,580
12 mm Thickness	12"	<b>SIGCREC 12-48 96-12</b> 47.5"w x 95"h	\$5,880

### TRAPEZOID SHAPE

Thickness	Density	Code & Size	Price
9 mm Thickness	8"	<b>SIGCTRZ 9-48 96-8</b> 47.5"w x 95"h	\$14,210
9 mm Thickness	12"	<b>SIGCTRZ 9-48 96-12</b> 47.5"w x 95"h	\$10,500
12 mm Thickness	8"	<b>SIGCTRZ 12-48 96-8</b> 47.5"w x 95"h	\$17,150
12 mm Thickness	12"	<b>SIGCTRZ 12-48 96-12</b> 47.5"w x 95"h	\$11,690

## 3. DENSITY

Code	Description
<b>8</b>	8"
<b>12</b>	12"

# Acoustic Grid Canopy Ceiling Baffles

## 4 (a). EZO COLOR (9mm Depth)

Select these EzoColors for 9mm thick EzoBord only.

Code	Description	Code	Description
<b>VC97</b>	Vanilla Cream	<b>LB01</b>	Light Beige
<b>SP99</b>	Sunset Pink	<b>DS10</b>	Desert Sand
<b>MN12</b>	Midnight Navy	<b>SG04</b>	Silver Gray
<b>RB08</b>	Royal Blue	<b>EG11</b>	Elephant Gray
<b>EB50</b>	Evening Blue	<b>CG06</b>	Charcoal Gray
<b>AB32</b>	Aegean Blue	<b>PB09</b>	Pure Black
<b>MG10</b>	Moss Green	<b>DP30</b>	Deep Purple
<b>SD18</b>	Sunny Days	<b>TO24</b>	Tiger Orange
<b>CW04</b>	Classic White	<b>RR25</b>	Ruby Red
<b>PI14</b>	Polar Ice	<b>ES07</b>	Ebony Slate

[See page 101 for EzoBord color images](#)

## 4 (b). EZO COLOR (12mm Depth)

Select these EzoColors for 12mm thick EzoBord only.

Code	Description	Code	Description
<b>VC97</b>	Vanilla Cream	<b>LB01</b>	Light Beige
<b>SP99</b>	Sunset Pink	<b>DS10</b>	Desert Sand
<b>MN12</b>	Midnight Navy	<b>SG04</b>	Silver Gray
<b>RB08</b>	Royal Blue	<b>EG11</b>	Elephant Gray
<b>EB50</b>	Evening Blue	<b>CG06</b>	Charcoal Gray
<b>AB32</b>	Aegean Blue	<b>PB09</b>	Pure Black
<b>MG10</b>	Moss Green	<b>GV36</b>	Grape Vine
<b>SD18</b>	Sunny Days	<b>BR34</b>	Brick Red
<b>CW04</b>	Classic White	<b>TB35</b>	Tree Bark
<b>PI14</b>	Polar Ice	<b>BG07</b>	Bold Gray

[See page 101 for EzoBord color images](#)

## HOW TO ORDER

# SIGCREC 9 - 48 96 - 8 CG06



## MOUNTING

Recommended mounting: suspended requires upper suspension housing (CF6-01) minimum quantity of four (4) + EzoBord clamp (CBG-C) quantity to match upper suspension housing.



## Acoustic Accessories & Hardware



### EZO TAPE

Specially formulated permanent double sided tape for vertical wall application. Not for use on all types of surface finishes.

Available in three widths at 164' (50m) length rolls

- DST-010 1" (24mm)
- DST-015 1 1/4" (32mm)
- DST-020 1 5/6" (48mm)

Price:  
DST-010: \$220  
DST-015: \$310  
DST-020: \$400

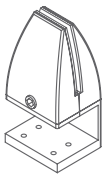


### SURFACE MOUNT DESK SCREEN BRACKET / PJ3

**Sold Individually**

Compatible with material 12mm, or 18mm thick. Mounting screws not included.

Price:  
\$80 Each



### UNDER MOUNT DESK SCREEN BRACKET / PJ4

**Sold Individually**

Compatible with material 12mm or 18mm thick. Surface thickness limited to 1" - 1 1/4" Mounting screws not included.

Price:  
\$90 Each



### UPPER SUSPENSION HOUSING / CF6-01

**Sold Individually**

Ceiling fitting to be used with additional hardware. Includes 13'-1 1/2" (4m) of cable. Brass Locator accepts #8 Screws, not included."

Price:  
\$100 Each



### LOWER SUSPENSION HOUSING / CF6-02

**Sold Individually**

Ceiling fitting to be used with additional hardware. Includes 13'-1 1/2" (4m) of cable. Brass Locator accepts #8 Screws, not included."

Price:  
\$100 Each



### EZOBORD CLAMP / CBG-C

**Sold Individually**

Compatible with Upper and Lower Suspension Housing. Intended for use with 9mm (3/8") and 12mm (1/2") material. Specify placement on material for use with larger thicknesses."

Price:  
\$180 Each

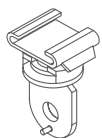


### SUSPENSION TRACK XC-04-1000

**Sold Individually**

"39" (1000mm) To be used with Upper and/or Lower Suspension Housing. Specify brass slot nuts for housing attachments.

Price:  
\$180 Each



### LOOPING CABLE GRIPPER / CG7250

**Sold Individually**

Adjustable wire looping system.  
Compatible with Upper Suspension Housing.

Price:  
\$70 Each



### T-BAR CLIP W/ RIVETS

**Sold Individually**

Price:  
\$20 Each

## Specifications

### MOSS SPECIFICATIONS

#### FIRE TESTING

The method, designated as CAN/ULC-S102-10, "Standard Method of Test for Surface Burning Characteristics of Building Materials and Assemblies" is designed to determine the relative surface burning characteristics of materials under specific test conditions. After testing three identical specimens, results confirmed that our moss panels have an average Flame Spread Rating (FSR) of 95 and an average Smoke Developed Classification (SDC) of 445.

#### INSTALLATION

Moss panels can be screwed directly to drywall or plywood & anywhere within the panel. Based on your wall structure, we recommend using 1 1/4" to 2 1/4" screws. Touch ups may be needed after installation to blend panel seams. Moss is only glued to EzoBord.

#### ACOUSTICS

Reindeer moss panels have an absorption value (AW) of 0.70-0.96 NRC.

#### PRODUCT VARIANCES

Colour, shape, texture, & size of natural elements used to create moss products will contain variations & irregularities. Moss cannot be considered perfect as natural variations always exist.

#### CLEANING

Moss can be carefully dusted using a blow dryer on a low temperature setting or using a compressed air can used for computer keyboards.

---

### EZO SPECIFICATIONS

#### FIRE TESTING

ASTM E-84 Class A / CAN ULC S102-10. (9mm material meets Class A rating. Class A Treatment available on 12mm material for a surcharge)

#### INSTALLATION

Per hardware and recommended install (see product pages).

#### ACOUSTICS

Refer to ASTM C423 test chart for specific absorption rates/frequency. 9mm (3/8") ASTM C423/D: NRC = 0.75; ASTM C423/A: NRC = 0.30 12mm (1/2") ASTM C423/D: NRC = 0.80; ASTM C423/A: NRC = 0.40

#### PRODUCT VARIANCES

Variation in fiber mix and colour may occur. All products will be supplied within commercial tolerances.

#### COMPOSITION

Ezobord panels are made from 100% PET fibre of which +/- 50% is derived from recycled plastic water bottles ( 3/8" (9mm) | ± 166 PET Bottles – 1/2" (12mm) | ± 318 PET Bottles)

**EGAN**

**2024**

**Egan AV Furniture**



# Egan AV Furniture Table of Contents

## AV FURNITURE 2024 PRICE GUIDE.....144

### PODIUMS & LECTERNS

AVA Height Adjustable Technology Lectern.....	147
TecTern III Technology Lectern.....	148
TecTern TWO Technology Lectern.....	149-150
TecTern Technology Lectern.....	151-152
TecTern S2 Technology Lectern.....	153
Instruction Technology Lectern.....	154
OVO Lectern.....	155
Etex Lectern.....	156
Etex ADA Lectern.....	157
Wood Lectern.....	158
Wood ADA Lectern.....	159
EDLEC2423.....	160-162
IC1000 .....	163-165
MM1200.....	166-168
MM2500.....	170-171
PM200 Portable Podium.....	172-173
PM300 Podium.....	174-176
PM350 Contemporary Portable Podium.....	177-179
PM350 LIFT Podium.....	180-182
PM Podium Series.....	183-185
PM500 Podium.....	186-188
PM900 Podium.....	189-191
PM4800 Podium.....	192-194
PMT100 Podium Desk Combination.....	195-197

### HEIGHT ADJUSTABLE DESKS

DS700 .....	199-201
DS740 .....	202-204
DS780.....	205-208
DS800.....	209-212
DS900 RACK.....	213-216
DS950 RACK.....	217-219
DS3040.....	220-222
LT3060.....	223-224
MPD26EATX-12.....	225-227
MPD30EATX Series.....	228-230
MPD3048.....	231-233

### CONFERENCE & BOARDROOM TABLES

CT400.....	235-236
CT600.....	237-238
CT720.....	239-240
CT730.....	241-242
CT36.....	243-244
VT500.....	245-247

### AV INSTRUCTOR DESKS

DS100.....	249-252
DS600.....	253-255
DS600L.....	256-258
DS680.....	259-261
DS720.....	262-264
DS4230.....	265-266

### TV MEDIA STANDS

MC352 Media Stand.....	268-270
MC600 Media Stand.....	271-273
MC700 Media Stand.....	274-275

### CREDENZAS

CR200 Series.....	277-279
CR300 Series.....	280-282
CR412.....	283-285
DC Series.....	286-288

### RACK CABINETS & CARTS

AVCAB Series.....	290-292
RA Series.....	293-295
RE Series.....	296-298
CE160.....	399-300

## Podiums & Lecterns

### ■ Podiums & Lecterns

---

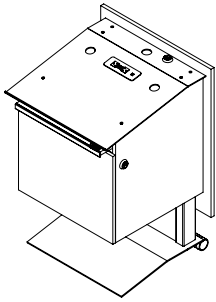
- AVA HEIGHT ADJUSTABLE LECTERN
- TECTERN III TECHNOLOGY LECTERN
- TEECTERN TWO
- TECTERN
- TECTERN S2
- INSTRUCTION TECHNOLOGY LECTERN
- ETEX LECTERN
- ETEX ADA LECTERN
- OVO LECTERN
- WOOD LECTERN
- WOOD ADA
- EDLEC2423
- IC1000
- MM1200
- MM2500
- PM200
- PM300
- PM350
- PM350 LIFT
- PM400
- PM Podium Series1
- PM500
- PM900
- PM4800
- PMT100

# PODIUMS & LECTERNS

**BUILT  
TO INSPIRE**



# AVA Height Adjustable Technology Lectern



Dimensions	Price
Upper Position: 42 1/8"h to 27 1/2"w	\$9,460
Lower Position: 31 1/2"h to 27 1/2"w	
Worksurface: 25 1/4"l x 27 1/2"w	
Inside Clearance: 17 1/2"h x 16 3/4"w	

Wood Stains: Doors Only		
Code	Description	Price
HS	Haystack	\$ 0
WL	Woodland	\$ 0
DW	Driftwood	\$ 0
BB	Barnboard	\$ 0
CB	Carbon	\$ 0
NA	Natural	\$ 0
CS	Custom Stain	\$ 300

## 1. PRODUCT CODE

Code	Description
AVA	AVA Lectern

## 2. BODY FINISH

Haystack	Woodland	Driftwood	Barnboard	Carbon	Natural	Custom Stain
HS	WL	DW	BB	CB	NA	CS

Custom Stain available - Add \$300 to list, per item

## 3. TOP, FRAME & BASE

White	Grey	Black
WH	GR	BL

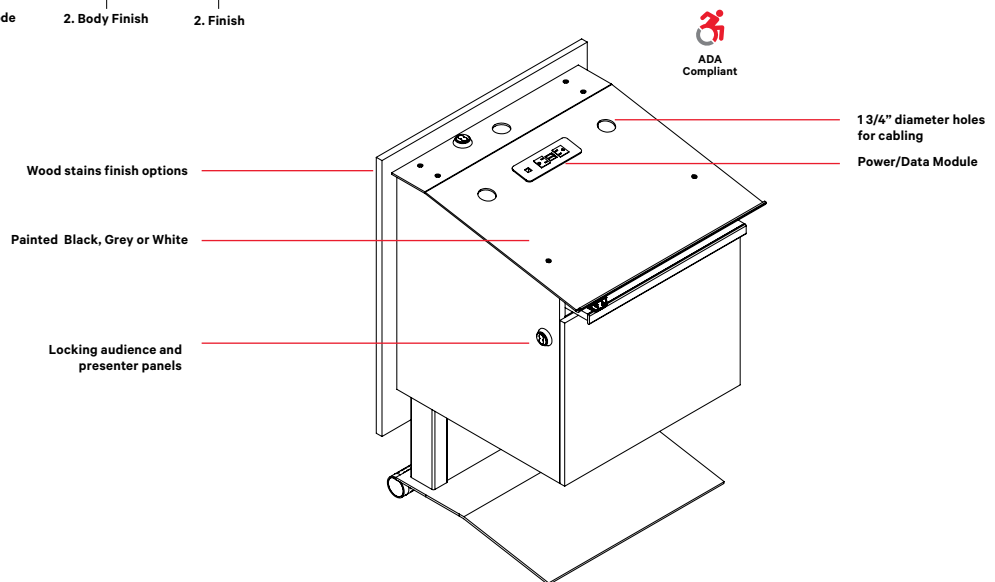
## 4. OPTIONS

Code	Description	Price
RS	AV Rack and Adjustable Shelf	\$320

## HOW TO ORDER

**AVA DW BL**

1. Product Code    2. Body Finish    2. Finish



# TecTern™ III Technology Lectern

Description	Dimensions	Price
TecTern III with laptop shelf.	24 5/8"w x 43 3/4"h x 25 9/16"d	\$4,600
TecTern III with Finger Touch Monitor.	24 5/8"w x 43 3/4"h x 25 9/16"d	\$8,240

Monitor has a limited 90 day warranty, including back light

## 1. PRODUCT CODE

Code	Description
<b>T3LS</b>	TecTern III with laptop shelf.
<b>T3TM</b>	TecTern III with Finger Touch Monitor.

## 2. WORK SURFACE & BODY FINISH

Code	Description	
<b>WH<sup>1</sup></b>	White (non-textured) - White Etex Work Surface	<sup>1</sup> Default finish Standard: Locks on presenter side cabinet doors, casters, 19" industry standard AV rack with one shelf Custom color not available
<b>GM</b>	Gunmetal Gray (textured) - Charcoal Etex Work Surface	
<b>EM</b>	EganMetallic (textured) - EganMetallic Etex Work Surface	
<b>BL</b>	Black (textured) - Black Etex Work Surface	

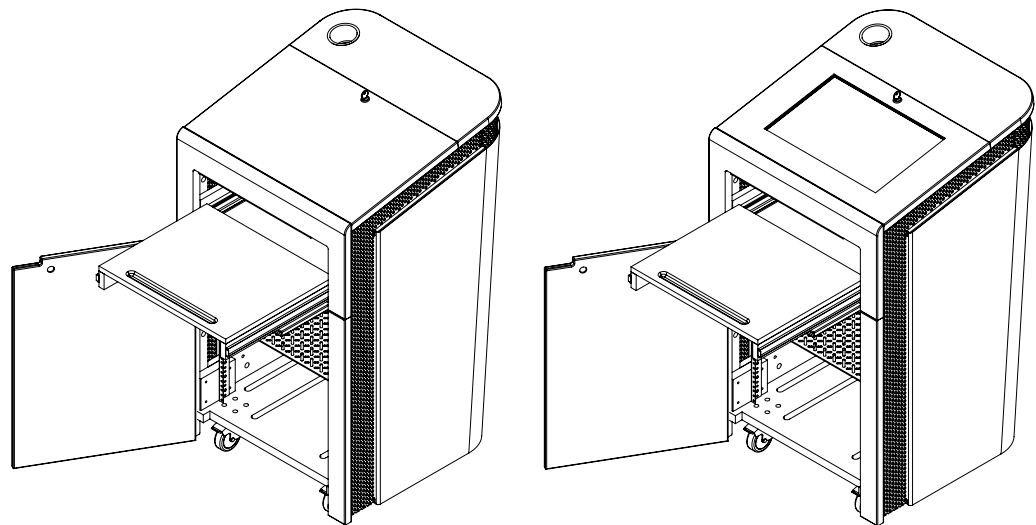
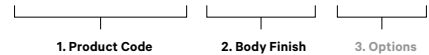
## 3. OPTIONS

Code	Description	Price
<b>B</b>	Light - 12" electric goose neck lamp complete with dimmer switch.	\$240
<b>CH</b>	Cup Holder	\$50
<b>T</b>	Clock <sup>1</sup>	\$210

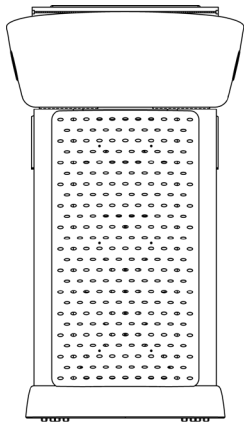
<sup>1</sup> Clock (T) is liquid crystal display with front control buttons. The clock is flush mounted. Battery included.

## HOW TO ORDER

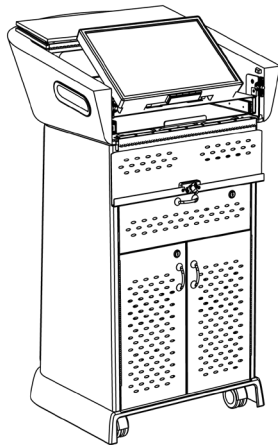
# T3TM WH CH



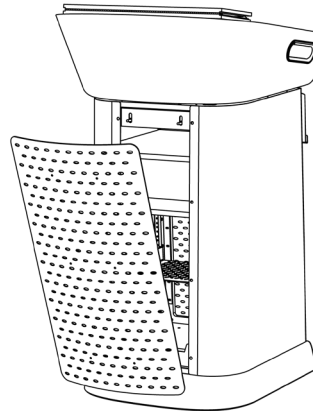
# TecTern™ TWO Technology Lectern



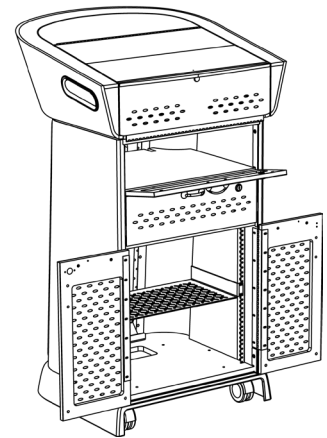
Front



Back

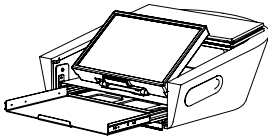
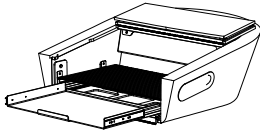


Front Access



Back Access

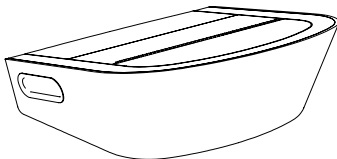
## 1. Choose your Technology Package



Code	Description	Dimensions	Price
T2LS	Laptop Shelf (LS)	27 1/2"w x 47"h x 25"d	\$6,990
T2TM	Finger Touch Monitor* (TM)		\$10,610

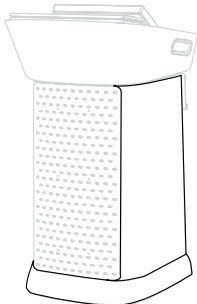
\* Ships with annotation software. Monitor has a limited 90 day warranty, including back light

## 2. Choose TecTern Crown Color

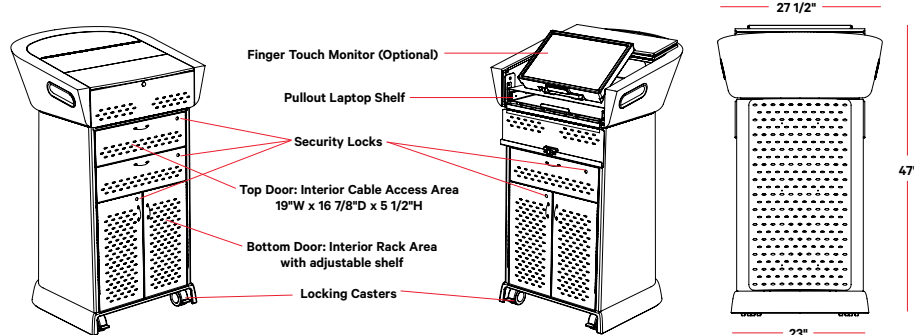


EganMetallic	Black	Charcoal	Gray	Platinum
EM	BL	CL	GR	PT
Putty	Sand	Slate	Taupe	Custom Color
PY	SN	SL	TA	CC - \$250

## 3. Chassis Color\*



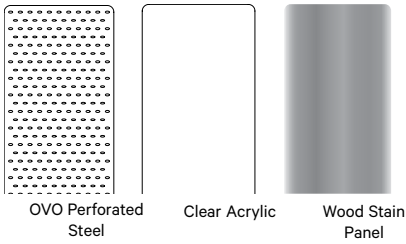
\*Chassis Color is standard Gunmetal



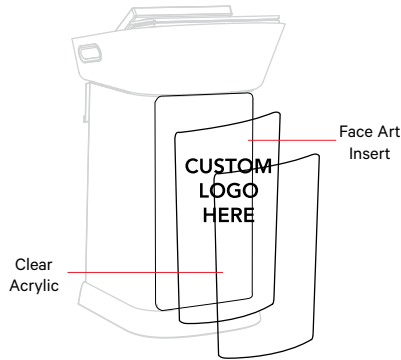


# TecTern™ TWO Technology Lectern

## 4. Facing Panel Options



OVO Perforated Steel      Clear Acrylic      Wood Stain Panel



Code	Description	Price
OV	OVO Perforated Steel	\$0
AC	Clear Acrylic*	\$320
VP	Wood Stain Panel	\$590

\* May be paired with Modesty Face Art insert

## OV and AC Modesty Facing Finish Color

EganMetallic	Black	Charcoal	Gray	Platinum
EM	BL	CL	GR	PT

Putty	Sand	Slate	Taupe	Custom Color
PY	SN	SL	TA	CC

\$250 per color if Custom Color (CC) option selected

## Wood Stain Modesty Face Finish

Haystack	Woodland	Driftwood	Barnboard
HS	WL	DW	BB

Carbon	Natural	Custom Stain
CB	NA	CS

\$300 per color if Custom Stain (CS) option selected

## 5. Facing Art Insert



Code	Description	Price
G	Custom art (EganINK) printed to fit 17" x 32" AC Front Facing Required	\$ 480

Not available with Wood Panel or OVO Perforated Steel Option

## 6. Light, Optional



Code	Description	Price
B	Light - 12" electric goose neck lamp complete with dimmer switch.	\$ 240

## 7. Custom Logo Options

Code	Description	Price
T	Custom Logo, 3D installed or custom built	Call Inside Sales

## Your Code Is



TecTern  
TWO Lectern  
Technology  
Integration



Crown Color



Facing Panel  
Option



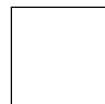
Modesty  
Facing Finish  
Color



Wood Stain  
Finish



Front Facing  
Art Insert



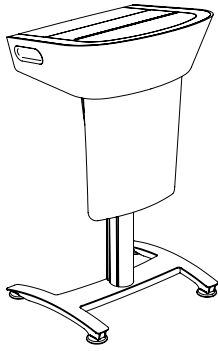
Light



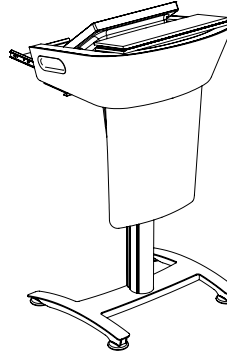
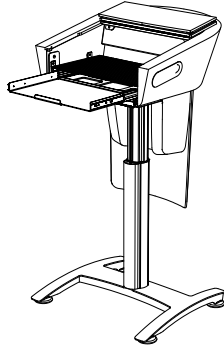
Custom Logo

NOTE: Custom Color fee \$250 applies per color. Additional use of same color on different components are no charge for subsequent use of same color

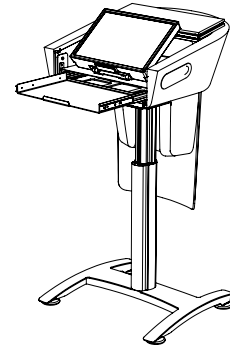
# TecTern™ Technology Lectern



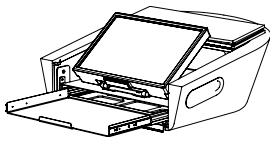
TecTern with Laptop Shelf



TecTern with Finger Touch Monitor

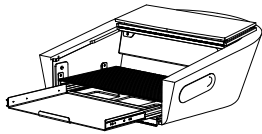


## 1. Choose your Technology Package

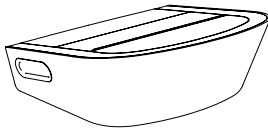


Code	Description	Dimensions	Price
<b>TLLS</b>	Laptop Shelf (LS)	29 1/4"w x 39"h (min) / 51"h (max) x 26 5/8"d	\$7,410
<b>TLTM</b>	Finger Touch Monitor* (TM)		\$11,460

\* Ships with annotation software. Monitor has a limited 90 day warranty, including back light. Electric lift motor has a one-year warranty



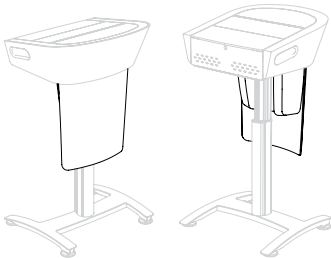
## 2. Choose TecTern Crown Color



EganMetallic	Black	Charcoal	Gray	Platinum
EM	BL	CL	GR	PT
Putty	Sand	Slate	Taupe	Custom Color
PY	SN	SL	TA	CC

\$250 per color if Custom Color (CC) option selected

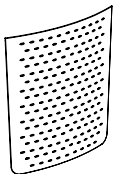
## 3. Choose Modesty Panel



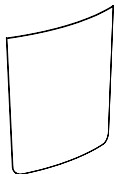
EganMetallic	Black	Charcoal	Gray	Platinum
EM	BL	CL	GR	PT
Putty	Sand	Slate	Taupe	Custom Color
PY	SN	SL	TA	CC

\$250 per color if Custom Color (CC) option selected

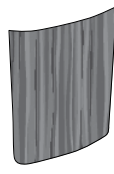
## 4. Modesty Facing Options



OVO Perforated Steel



Clear Acrylic

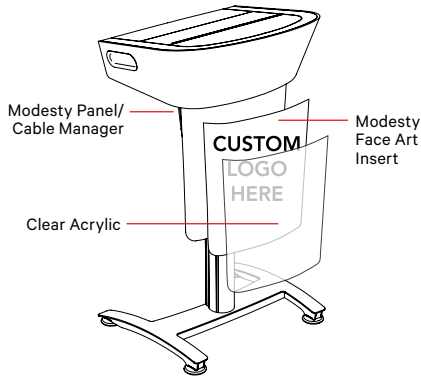


Wood Stain Panel

Code	Description	Price
<b>OV</b>	OVO Perforated Steel	\$440
<b>AC</b>	Clear Acrylic*	\$340
<b>VP</b>	Wood Stain Panel	\$630
<b>BP</b>	Basic Panel, No Facing	\$ 0

\* May be paired with Modesty Face Art insert

# TecTern™ Technology Lectern



EganMetallic	Black	Charcoal	Gray	Platinum
EM	BL	CL	GR	PT

Putty	Sand	Slate	Taupe	Custom Color
PY	SN	SL	TA	CC

\$250 per color if Custom Color (CC) option selected

### Wood Stain Modesty Face Finish

Haystack	Woodland	Driftwood	Barnboard
HS	WL	DW	BB

Carbon	Natural	Custom Stain
CB	NA	CS

\$300 per color if Custom Stain (CS) option selected

### 5. Modesty Facing Art Insert



Code	Description	Price
<b>G</b>	Custom art (EganINK) printed to fit 17 1/2" x 21 1/2" AC Modesty Facing Required	\$ 480

Not available with Wood Stain Panel, OVO Perforated Steel, & Basic Panel Option.

### 6. Light, Optional



Code	Description	Price
<b>B</b>	Light - 12" electric goose neck lamp complete with dimmer switch.	\$ 240

### 7. Custom Logo Options

Code	Description	Price
<b>T</b>	Custom Logo, 3D installed or custom built	Call Customer Service.

### Your Code Is



TecTern  
Lectern  
Technology  
Integration



Crown Color



Modesty  
Panel/Cable  
Manager color



Modesty Facing  
Material



Modesty Facing  
Finish Color



Wood Stain  
Panel Finish



Modesty Facing  
Art Insert



Light



Custom Logo

# TecTern™ S2 Technology Lectern

Crown	Lower Cabinet	Price	
Etex	Etex	\$3,630	* Two Custom Colors in any combination Front and back cabinet door locks, casters, 19" industry standard AV rack with one shelf
Etex	Wood Stain	\$4,550	

1. PRODUCT CODE	Code	Description	Dimensions
	<b>S2LS</b>	TecTern S2 with laptop shelf (LS)	24 1/2"w x 44 1/2"h x 23 1/2"d

2. CROWN FINISH	Etex Finish									
	EganMetallic	Black	Charcoal	Gray	Platinum	Putty	Sand	Slate	Taupe	Custom Color
	EM	BL	CL	GR	PT	PY	SN	SL	TA	CC

Custom Color - Add \$250 per list/item.

3. BODY FINISH	Etex Finish									
	EganMetallic	Black	Charcoal	Gray	Platinum	Putty	Sand	Slate	Taupe	Custom Color
	EM	BL	CL	GR	PT	PY	SN	SL	TA	CC

Custom Color - If matching Custom Color Crown no additional upcharge. Is selecting second/new custom color add \$250 list/item.

Wood Stains						
Haystack	Woodland	Driftwood	Barnboard	Carbon	Natural	Custom Stain
HS	WL	DW	BB	CB	NA	CS

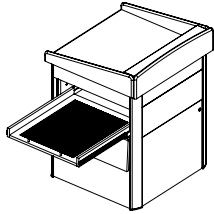
Custom Stain available - Add \$300 to list, per item

3. OPTIONS	Code	Description	Price
	<b>B</b>	Light - 12" electric goose neck lamp complete with dimmer switch.	\$240
	<b>T</b>	Clock <sup>2</sup>	\$210
	<b>M</b>	Audience facing digital monitor	\$1,110

<sup>2</sup> Liquid Crystal Display clock with front control buttons. The clock is flush mounted in the top right corner of the crown support. Battery included.

HOW TO ORDER	S2LS PY PY		
	1. Product Code	2. Crown Finish	3. Body Finish

# Instruction Technology Lectern



Crown	Lower Cabinet	Price	
Etex	Etex	\$6,570	Aluminum extrusion "bumper" corners to help prevent damage when moving Large worksurface provides ample space for a monitor/ reference material The front panel opens for access to two, supplied 6-outlet powerstrips An articulating arm supports a keyboard and mouse pad Worksurface: 32"w x 25"d Drawer: 23 1/4"w x 8 1/4"h x 27"d Equipment Storage Area: 26"w x 20"h x 28"d (with 2 adjustable shelves) Grommets located on upper crown facing and bottom shelf with 2 1/4" ID
Etex	Wood Stains	\$8,720	

## 1. PRODUCT CODE

Code	Description	Dimensions
<b>S2IM</b>	Instruction Technology Lectern	34"w x 47 1/2"h x 32 1/2"d

## 2. CROWN FINISH

Etex Finish

EganMetallic	Black	Charcoal	Gray	Platinum	Putty	Sand	Slate	Taupe	Custom Color
EM	BL	CL	GR	PT	PY	SN	SL	TA	CC

Custom Color - Add \$250 per list/item.

## 3. BODY FINISH

Etex Finish

EganMetallic	Black	Charcoal	Gray	Platinum	Putty	Sand	Slate	Taupe	Custom Color
EM	BL	CL	GR	PT	PY	SN	SL	TA	CC

Custom Color - If matching Custom Color Crown no additional upcharge. Is selecting second/new custom color add \$250 list/item.

Wood Stains

Haystack	Woodland	Driftwood	Barnboard	Carbon	Natural	Custom Stain
HS	WL	DW	BB	CB	NA	CS

Custom Stain available - Add \$300 to list, per item

## 4. OPTIONS



Code	Price	Description
<b>B</b>	\$240	Light - 12" electric goose neck lamp complete with dimmer switch.
<b>T</b>	\$210	Clock/Timer - Liquid Crystal Display clock with front control buttons. The clock is flush-mounted in the top right corner of the crown support. Battery included.

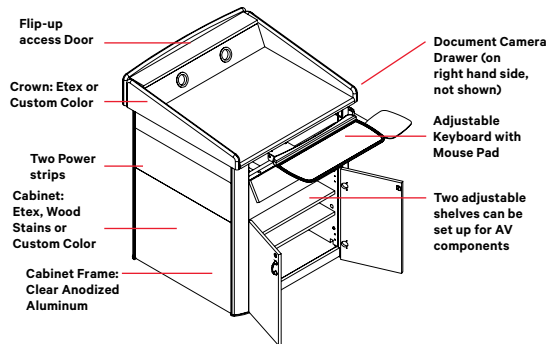
## HOW TO ORDER

**S2IM CL PT BT**

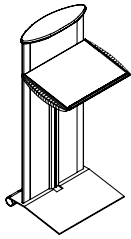
1. Product Code    2. Crown Finish    3. Body Finish    4. Options

To specify S2IM with multiple finishes or colors please note:

- Both Crown (Top) and body require finish specifications
- Crown is available in Etex and Custom Color only
- Body (Base) is available in Etex, Custom Color, Wood Stains and Custom Stain
- For Custom Color, specify your desired color
- Custom applications of this product are very popular; see Custom Response (page 94)



# OVO Lectern



Dimensions	Etex	Wood Stains	
22 1/2"w x 49"h x 21"d	\$3,420	\$3,820	Document Shelf: Angled 19" w x 15" d with lip to keep notes in place Below Shelf Storage: 13" w x 4" d (reduces to 1" d at front) Height-adjustable document platform adjusts from 37" h to 40" h Document Platform, Crown and Casters finished black only

## 1. PRODUCT CODE

Code	Description
OVLW	OVO Lectern

## 2. FINISH

Etex Finish

EganMetallic	Black	Charcoal	Gray	Platinum	Putty	Sand	Slate	Taupe
EM	BL	CL	GR	PT	PY	SN	SL	TA

Smooth Etex finish is available only on perforated front panel. Solid back panel is black only

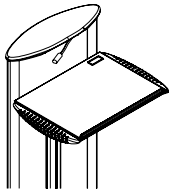
Custom Color available - Add \$250 to list, per item

Wood Stains

Haystack	Woodland	Driftwood	Barnboard	Carbon	Natural	Custom Stain
HS	WL	DW	BB	CB	NA	CS

Custom Stain available - Add \$300 to list, per item

## 3. OPTIONS



Code	Price	Description
B	\$240	Light - 6" electric goose neck lamp complete with dimmer switch.
T	\$210	Clock - Liquid Crystal Display clock with front control buttons. The clock is flush-mounted in the top right corner of the crown support. Battery included.
PS	\$110	Power Strip - The PowerStrip has 6 outlets with a 4' cord. Mounts in the back of the document platform storage area.

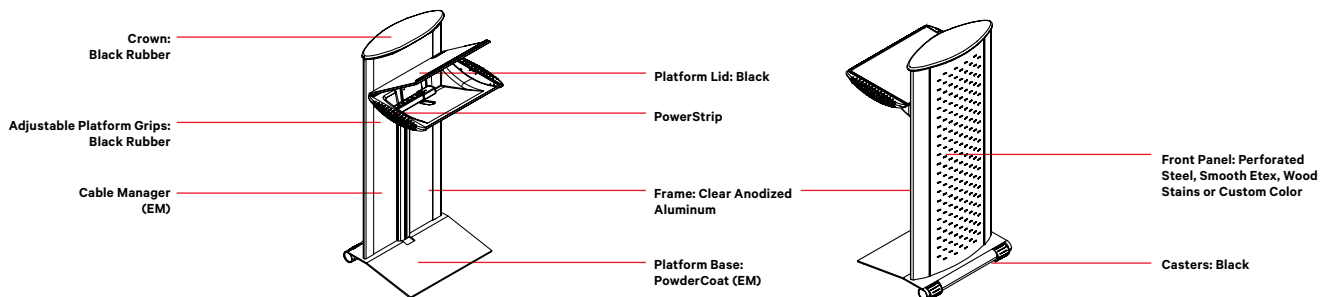
## HOW TO ORDER

# OVLW CL BTPS

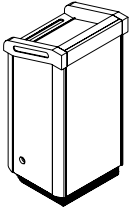
1. Product Code

2. Finish

3. Options



# Etex Lectern



Crown	Lower Cabinet	S2LF Price	
Etex	Etex	\$2,890	Lower cabinet with lock and adjustable shelf 13/4" ID.
Etex	Wood Stains	\$4,040	Grommets on both sides and top worksurface Finish Options: Model may be specified with different finish combinations.

## 1. PRODUCT CODE

Code	Description	Dimensions
<b>S2LF</b>	Etex Lectern	24"w x 48"h x 21"d

## 2. CROWN FINISH

Etex Finish

EganMetallic	Black	Charcoal	Gray	Platinum	Putty	Sand	Slate	Taupe	Custom Color
EM	BL	CL	GR	PT	PY	SN	SL	TA	CC

Custom Color - Add \$250 per list/item.

## 3. BODY FINISH

Etex Finish

EganMetallic	Black	Charcoal	Gray	Platinum	Putty	Sand	Slate	Taupe	Custom Color
EM	BL	CL	GR	PT	PY	SN	SL	TA	CC

Custom Color - If matching Custom Color Crown no additional upcharge. Is selecting second/new custom color add \$250 list/item.

Wood Stains

Haystack	Woodland	Driftwood	Barnboard	Carbon	Natural	Custom Stain
HS	WL	DW	BB	CB	NA	CS

Custom Stain available - Add \$300 to list, per item

## 4. OPTIONS



Code	Price	Description
<b>B</b>	\$240	Light - 12" electric goose neck lamp complete with dimmer switch.
<b>T</b>	\$210	Clock - Liquid Crystal Display clock with front control buttons. The clock is flush-mounted in the top right corner of the crown support. Battery included.

## HOW TO ORDER

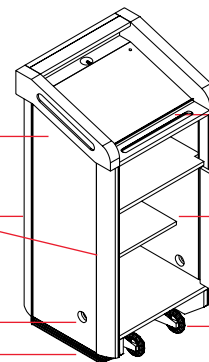
# S2LF PT PT BT



Cabinet:  
Etex, Custom Color or Wood Stains

Cabinet Frame:  
Clear Anodized Aluminum

13/4" Grommet  
PVC Toe kick



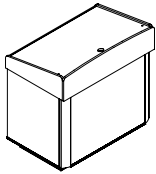
Crown:  
Etex or Custom Color

Adjustable  
Shelf

Casters:  
Gray with Black

# Etex ADA Lectern

## 1. PRODUCT CODE



Code	Dimensions
<b>S2LH</b>	Upper-Height Position: 39"w x 44"h x 25"d
	Lower-Height Position: 39"w x 34"h x 25"d
	Worksurface: 38"w x 24"d
	Inside Clearance: 30"w x 24"d

Crown	Lower Cabinet	S2LH Price
Etex	Etex	\$6,800
Etex	Wood Stains	\$10,340

2" locking casters for easy mobility  
 Electric lift motor has a one-year warranty  
 Aluminium extrusion "bumper" corners help prevent damage when moving

## 2. CROWN FINISH

### Etex Finish

EganMetallic	Black	Charcoal	Gray	Platinum	Putty	Sand	Slate	Taupe	Custom Color
EM	BL	CL	GR	PT	PY	SN	SL	TA	CC

Custom Color - Add \$250 per list/item.

## 3. BODY FINISH

### Etex Finish

EganMetallic	Black	Charcoal	Gray	Platinum	Putty	Sand	Slate	Taupe	Custom Color
EM	BL	CL	GR	PT	PY	SN	SL	TA	CC

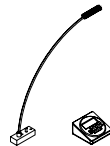
Custom Color - If matching Custom Color Crown no additional upcharge. Is selecting second/new custom color add \$250 list/item.

### Wood Stains

Haystack	Woodland	Driftwood	Barnboard	Carbon	Natural	Custom Stain
HS	WL	DW	BB	CB	NA	CS

Custom Stain available - Add \$300 to list, per item

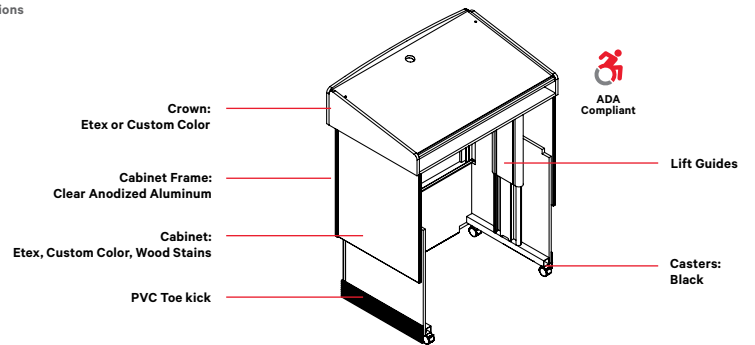
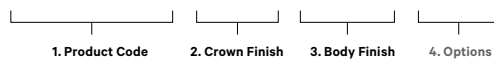
## 4. OPTIONS



Code	Price	Description
<b>B</b>	\$240	Light - 12" electric goose neck lamp complete with dimmer switch.
<b>T</b>	\$210	Clock/Timer - Liquid Crystal Display clock with front control buttons. The clock is flush-mounted in the top right corner of the crown support. Battery included.

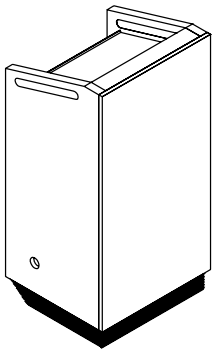
## HOW TO ORDER

# S2LH PT DW BT





# Wood Lectern



Dimensions	Wood Stains	
24"w x 48"h x 21"d	\$4,490	Dimensions: Document Shelf: 21 3/4"w x 12"d Upper Storage: 20"w x 8 1/2"h x 17"d Lower Cabinet: 22"w x 22"h x 17"d Lower cabinet with lock to secure electronic equipment Lower cabinet with lock and adjustable shelf

## 1. PRODUCT CODE

Code	Description
LCLF	Wood Lectern

## 2. FINISH

Haystack	Woodland	Driftwood	Barnboard	Carbon	Natural	Custom Stain
HS	WL	DW	BB	CB	NA	CS

Custom Stain available - Add \$300 to list, per item

## 3. OPTIONS

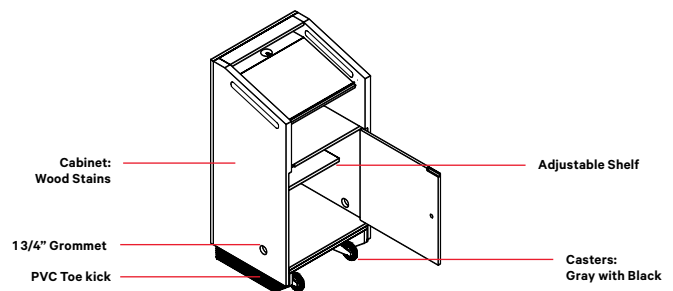


Code	Price	Description
B	\$240	Light - 12" electric goose neck lamp complete with dimmer switch.
T	\$210	Clock - Liquid Crystal Display clock with front control buttons. The clock is flush-mounted in the top right corner of the crown support. Battery included.

## HOW TO ORDER

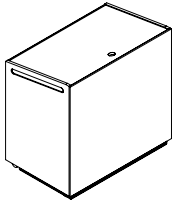
**LCLF DW BT**

1. Product Code      2. Finish      3. Options



Specify finish followed by options, as shown in sample code below  
 Veneer finish only, for Etex finish, see 202 EganLectern

# Wood ADA Lectern



Dimensions	Wood Stains	
Upper Position: 37 3/4" w x 44" h x 24" d	\$8,560	The electric-lift motor has a one-year warranty 2" locking casters for easy mobility
Lower Position: 37 3/4" w x 34" h x 24" d		
Worksurface: 36 1/2" w x 24" d		
Inside Clearance: 30" w x 24" d		

## 1. PRODUCT CODE

Code	Description
LCLH	Wood ADA Lectern

## 2. FINISH

Haystack	Woodland	Driftwood	Barnboard	Carbon	Natural	Custom Stain
HS	WL	DW	BB	CB	NA	CS

Custom Stain available - Add \$300 to list, per item

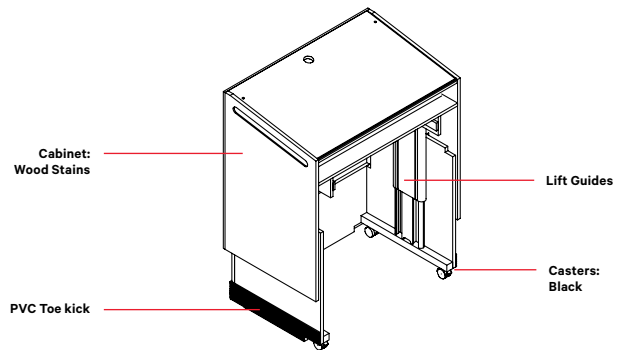
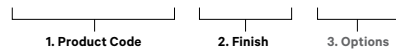
## 3. OPTIONS



Code	Price	Description
B	\$240	Light - 12" electric goose neck lamp complete with dimmer switch.
T	\$210	Clock/Timer - Liquid Crystal Display clock with front control buttons. The clock is flush-mounted in the top right corner of the crown support. Battery included.

## HOW TO ORDER

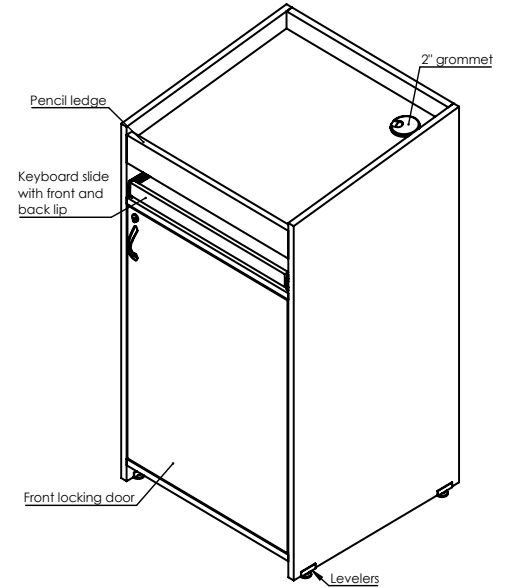
# LCLH DW BT



Specify finish followed by options, as shown in sample code below.

# EDLEC2423 Podium

Exterior or Interior	Feature	Feature Included
<b>Podium Finish</b>	Body Finish	Standard laminates with matching edge banding
<b>Interior Racking Options</b>	Front Rack Rails	Includes Front Rack rails – 16RU
<b>Interior Options</b>	Keyboard	Key Board Pull Out shelf
<b>Exterior Options</b>	Work Surface	Sloped Work Surface
	Front Door	Front Locking Door
	Rear Access Door	Removable Rear Access panel
	Levelers	Levelers



## 1. PRODUCT CODE

Code	Description	Price
<b>EDLEC2423</b>	24" W x 44"H x 23"D	\$2,380

## 2. BODY FINISH

### LAMINATES

Code	Description	Code	Description
<b>BW</b>	459-58 Brite White	<b>ST</b>	9319-BH Stainless
<b>BLK</b>	909-58 Black	<b>AB</b>	5784 Ashwood Bone
<b>BF</b>	8916-58 Blackened Fiberwood	<b>WWB</b>	6372 Whitewashed Birchply
<b>CO</b>	9374-43 Cocoa Oak	<b>SC</b>	7759-43 Select Cherry
<b>HW</b>	5788 Hazel Walnut	<b>NM</b>	9236-43 Noble Mahogany
<b>BE</b>	5793 Buff Elm	<b>CM</b>	7738-58 Cognac Maple
<b>PG</b>	902-58 Platinum Grey	<b>SM</b>	9237-58 Sand Maple
<b>GG</b>	9300-58 Gray Grafix	<b>HPL</b>	Custom High-Pressure Laminate
<b>CH</b>	8955-43 Cinnamon Cherry		

### CUSTOM LAMINATES

Code	Description	Price Upcharge
<b>FO##</b>	Formica - TBD	\$300
<b>WA##</b>	Wilson Art- TBD	
<b>PI##</b>	Pionite- TBD	
<b>NE##</b>	Nevamar- TBD	
<b>AR##</b>	Arborite- TBD	
Insert specific laminate code in place of ##		

For specialty compact laminates please call us at 1-800-263-2387 or email us at customerservice@egan.com

### WOOD STAINS

Standard veneer substrate is maple.

Code	Description	Price Upcharge
<b>HS</b>	Haystack	\$1,220
<b>WL</b>	Woodland	
<b>DW</b>	Driftwood	
<b>BB</b>	Barnboard	
<b>CB</b>	Carbon	
<b>NA</b>	Natural	
<b>CS</b>	Custom Stain	Call for Quote

**Rack Rails, Interior & Exterior Options on Next Page**

# EDLEC2423 Podium

## RACK RAIL OPTIONS

### 3 (A). FRONT RACK RAILS

Front Rack Rails			Rack Size Impact Other Podium Options						
Code	Rack Rail	Availability	Front Door (Style determined by Rack Rail sizing)	Front Panel	Drawers	Keyboard	Adjustable Shelves	Levelers	Price
FR16	16RU	Included	Front Door with no front panel	Not Included	Available	Included	Not Available	Included	\$170
FR18	18RU	Available	Full Height Door	Not Included	Not Available	Not Available	Not Available	Included	\$180

### 3 (B). REAR RACK RAILS

Rear Rack Rails			Rack Size Impact Other Podium Options						
Code	Rack Rail	Availability	Front Door (Style determined by Rack Rail sizing)	Front Panel	Drawers	Keyboard	Adjustable Shelves	Castors	Price
RR16	16RU	Available	Front Door with no front panel	Not Included	Available	Included	Not Available	Included	\$170
RR18	18RU	Available	Full Height Door	Not Included	Not Available	Not Available	Not Available	Included	\$180

## EXTERIOR OPTIONS

### 4. WORK SURFACE

Code	Description	Price
SWS	Sloped Work Surface	\$ 0
FWS	Flat Work Surface	\$296

### 5. DOORS

Code	Description	Price
FLD	Front Locking Door	\$ 0
NSFD	No Solid Front Door	\$ 0

### 6. LOCKS

Code	Description	Price
LK	Locks	\$ 0
NLK	No Locks	\$ 0

For custom order lock requests please call us at 1-800-263-2387 or email us at [customerservice@egan.com](mailto:customerservice@egan.com)

### 7. DRAWERS

Code	Description	Price
FSD	Front Storage Drawer	\$300

### 8. SIDE SHELF

Code	Description	Price
SSL	Side Shelf Left	\$260
SSR	Side Shelf Right	\$260
SSB	Both Left & Right Side Shelves	\$520

### 9. CASTORS OR LEVELERS

Code	Description	Price
LL	Levelers	\$ 0
CT3	3.5 "Castors 2 locking and 2 non-locking	\$130

## INTERIOR OPTIONS

### 10. ADJUSTABLE SHELVES

Code	Description	Price
AS	Adjustable Shelves	\$130

You cannot order Adjustable Shelves with rack rails

### 11. KEYBOARD PULL OUT SHELF

Code	Description	Price
KB	Keyboard pull out shelf	\$ 0
NKB	No Keyboard pull out shelves	\$ 0

# EDLEC2423 Podium

## ACCESSORIES & CUSTOMIZATION

### 12. HARDWARE

Code	Description	Price
<b>MIC</b>	Gooseneck microphone	\$953
<b>HL</b>	High intensity gooseneck light	\$260
<b>LCDM</b>	LCD Monitor Vesa Mount	\$360
<b>LCDM2</b>	LCD Monitor Vesa Dual Mount	\$637

If selecting multiple hardware options, please note you may only select one Monitor Mount.

### 13. POWER

You may select multiple power options

Code	Description	Price
<b>PB</b>	Power Bar	\$120
<b>PBR</b>	Power Bar Rack	\$260
<b>AC4USB</b>	AC4 Plus USB Chargers	\$210
<b>CWG2</b>	Lap top connection	\$637

### 14. FANS

Code	Description	Price
<b>QF1</b>	Quiet Fan - 1PK	\$200
<b>QF2</b>	Quiet Fan - 2PK	\$400
<b>TF1</b>	Thermo Fan - 1PK	\$270
<b>TF2</b>	Thermo Fan - 2PK	\$540

### 15. VENTILATION PANELS

You may select multiple ventilation panels

Code	Description	Price
<b>V15SV</b>	Vent Panel 3.5" X 15" – in Silver Color	\$110
<b>V15BL</b>	Vent Panel 3.5" X 15" – in Black Color	\$ 10
<b>V15WH</b>	Vent Panel 3.5" X 15" – in White Color	\$110
<b>V19SV</b>	Vent Panel 3.5" X 19" – in Silver Color	\$110
<b>V19BL</b>	Vent Panel 3.5" X 19" – in Black Color	\$110
<b>V19WH</b>	Vent Panel 3.5" X 19" – in White Color	\$110

Ventilation panel location is determined by engineering for maximum circulation of air flow.

### EGANINK

Specify EganINK on EVS, Glass, and acoustic/tackable materials. Please reach to our team for an EganINK quote with your custom art file.

### CUT OUT

Additional CUT OUTs are \$60. Please reach out to our team to specify location.

### ENGRAVINGS

Please reach to our team for an Engraving quote with your custom art file.

### HOW TO ORDER

**EDLEC2423 BW FR16 SWS FLD LK FSD SSB**

1. Product Code

2. Body Finish

3. Rack Rails

4. Work Surface

5. Door

6. Locks

7. Drawers

8. Side Shelf

**LL KB MIC HL PB QF1 V15SV I**

9. Castors/  
Levelers

11. Keyboard  
Slide

12. Hardware

13. Power

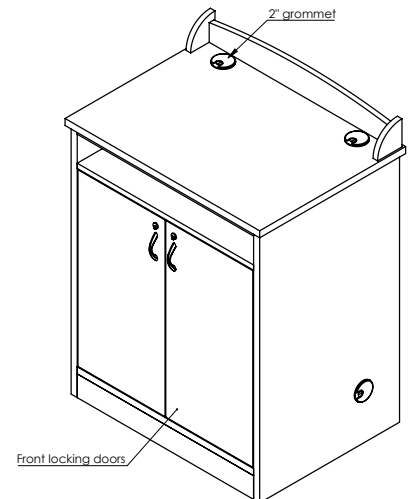
14. Fans

15. Ventilation Panels

EganINK

# IC1000 Podium

Exterior or Interior	Feature	Feature Included
<b>Podium Finish</b>	Body Finish	Standard laminates with matching edge banding
<b>Interior Racking Options</b>	Front Rack Rails	Includes Two Front Rack rails – 14RU for both compartments.
<b>Interior Options</b>	Open Shelf	5.5" Open Shelf
	Power	Power Bar included
	Cable Management	2" grommet for cable management
<b>Exterior Options</b>	Privacy Screen	4" High Privacy Screen
	Work Surface	Flat Work Surface
	Front Door	Front Locking Door
	Rear Access Locking Panel	Rear Access Removable Locking Panel
	Casters	Concealed 4.5" Castors – 2 locking and 2 non-locking castors



## 1. PRODUCT CODE

Code	Dimensions	Price
<b>IC1000</b>	32" W x 40-1/2"H x 24"D	\$2,650

## 2. BODY FINISH

### LAMINATES

Code	Description	Code	Description
<b>BW</b>	459-58 Brite White	<b>ST</b>	9319-BH Stainless
<b>BLK</b>	909-58 Black	<b>AB</b>	5784 Ashwood Bone
<b>BF</b>	8916-58 Blackened Fiberwood	<b>WWB</b>	6372 Whitewashed Birchply
<b>CO</b>	9374-43 Cocoa Oak	<b>SC</b>	7759-43 Select Cherry
<b>HW</b>	5788 Hazel Walnut	<b>NM</b>	9236-43 Noble Mahogany
<b>BE</b>	5793 Buff Elm	<b>CM</b>	7738-58 Cognac Maple
<b>PG</b>	902-58 Platinum Grey	<b>SM</b>	9237-58 Sand Maple
<b>GG</b>	9300-58 Gray Grafix	<b>HPL</b>	Custom High-Pressure Laminate
<b>CH</b>	8955-43 Cinnamon Cherry		

### CUSTOM LAMINATES

Code	Supplier & Laminate Code	Price Upcharge
<b>FO##</b>	Formica - TBD	\$300
<b>WA##</b>	Wilson Art- TBD	
<b>PI##</b>	Pionite- TBD	
<b>NE##</b>	Nevamar- TBD	
<b>AR##</b>	Arborite- TBD	
Insert specific laminate code in place of ##		

For specialty compact laminates please call us at 1-800-263-2387 or email us at customerservice@egan.com

### WOOD STAINS

Standard veneer substrate is maple.

Code	Description	Price Upcharge
<b>HS</b>	Haystack	\$1,580
<b>WL</b>	Woodland	
<b>DW</b>	Driftwood	
<b>BB</b>	Barnboard	
<b>CB</b>	Carbon	
<b>NA</b>	Natural	
<b>CS</b>	Custom Stain	Call for Quote

**Rack Rails, Interior & Exterior Options on Next Page**

# IC1000 Podium

## RACK RAIL OPTIONS

### 3 (A). FRONT RACK RAILS

Front Rack Rails			Rack Size Impact Other Podium Options						
Code	Rack Rail	Availability	Front Door (Style determined by Rack Rail Sizing)	Open Shelf	Drawers	Keyboard	Adjustable Shelves	Levelers	Price
FR16	16RU	Included	Included	Included	Available	Available	Not Available	Included	\$ 0
FR18	18RU	Available	Included	Not Included	Not Available	Not Available	Not Available	4.5" Castors	\$180

### 3 (B). REAR RACK RAILS

Rear Rack Rails			Rack Size Impact Other Podium Options						
Code	Rack Rail	Availability	Front Door (Style determined by Rack Rail sizing)	Front Panel	Drawers	Keyboard	Adjustable Shelves	Castors	Price
RR16	16RU	Available	Included	Included	Available	Available	Not Available	Included	\$170
RR18	18RU	Available	Included	Not Available	Not Available	Not Available	Not Available	4.5" Castors	\$180

## EXTERIOR OPTIONS

### 4. DASH

Code	Description	Price
CPH	Control Panel Housing	\$420

### 5. DOORS

Code	Description	Price
FLD	Front Locking Door	\$ 0
NSFD	No Front Door	\$ 0

### 6. LOCKS

Code	Description	Price
LK	Locks	\$ 0
NLK	No Locks	\$ 0
COM	Custom Locks	Call for Quote

For custom order lock requests please call us at 1-800-263-2387 or email us at customerservice@egan.com

### 7. DRAWERS

Code	Description	Price
FSD	Front Storage Drawer	\$300

### 8. SIDE SHELF

Code	Description	Price
SSL	Side Shelf Left	\$260
SSR	Side Shelf Right	\$260
SSB	Both Left & Right Side Shelves	\$520

### 9. CASTORS OR LEVELERS

Code	Description	Price
CT4	4.5" Castors	\$ 0
PCT4	4.5" Premium Castors	\$210
LL	Levelers	\$111

## INTERIOR OPTIONS

### 10. ADJUSTABLE SHELVES

Code	Description	Price
NAS	No Adjustable Shelves	\$ 0
AS	Adjustable Shelves	\$130

You cannot order Adjustable Shelves with rack rails

### 11. KEYBOARD PULL OUT SHELF

Code	Description	Price
NKB	No Keyboard pull out shelf	\$ 0
KB	Keyboard pull out shelf	\$270

# IC1000 Podium

## ACCESSORIES & CUSTOMIZATION

### 12. HARDWARE

Code	Description	Price
<b>MIC</b>	Gooseneck microphone	\$953
<b>HL</b>	High intensity gooseneck light	\$260
<b>LCDM</b>	LCD Monitor Vesa Mount	\$360
<b>LCDM2</b>	LCD Monitor Vesa Dual Mount	\$637

If selecting multiple hardware options, please note you may only select one Monitor Mount.

### 13. POWER

You may select multiple power options

Code	Description	Price
<b>PB</b>	Power Bar	\$120
<b>PBR</b>	Power Bar Rack	\$260
<b>AC4USB</b>	AC4 Plus USB Chargers	\$210
<b>CWG2</b>	Lap top connection	\$510

### 14. FANS

Code	Description	Price
<b>QF1</b>	Quiet Fan - 1PK	\$200
<b>QF2</b>	Quiet Fan - 2PK	\$400
<b>TF1</b>	Thermo Fan - 1PK	\$270
<b>TF2</b>	Thermo Fan - 2PK	\$540

### 15. VENTILATION PANELS

You may select multiple ventilation panels

Code	Description	Price
<b>V15SV</b>	Vent Panel 3.5" X 15" – in Silver Color	\$110
<b>V15BL</b>	Vent Panel 3.5" X 15" – in Black Color	\$110
<b>V15WH</b>	Vent Panel 3.5" X 15" – in White Color	\$110
<b>V19SV</b>	Vent Panel 3.5" X 19" – in Silver Color	\$110
<b>V19BL</b>	Vent Panel 3.5" X 19" – in Black Color	\$110
<b>V19WH</b>	Vent Panel 3.5" X 19" – in White Color	\$110

Ventilation panel location is determined by engineering for maximum circulation of air flow.

### EGANINK

Specify EganINK on EVS, Glass, and acoustic/tackable materials. Please reach to our team for an EganINK quote with your custom art file.

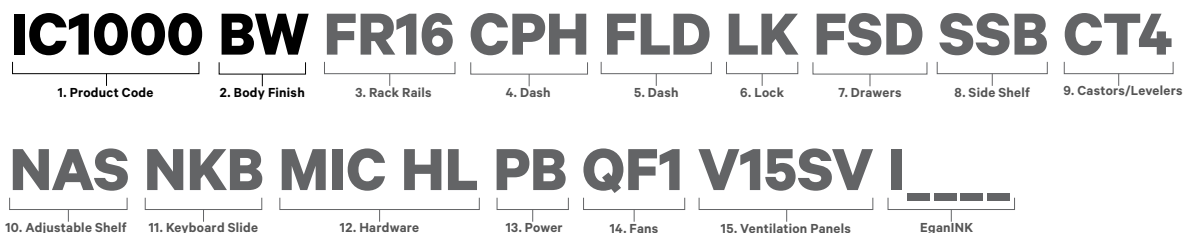
### CUT OUT

Additional CUT OUTS are \$60. Please reach out to our team to specify location.

### ENGRAVINGS

Please reach to our team for an Engraving quote with your custom art file.

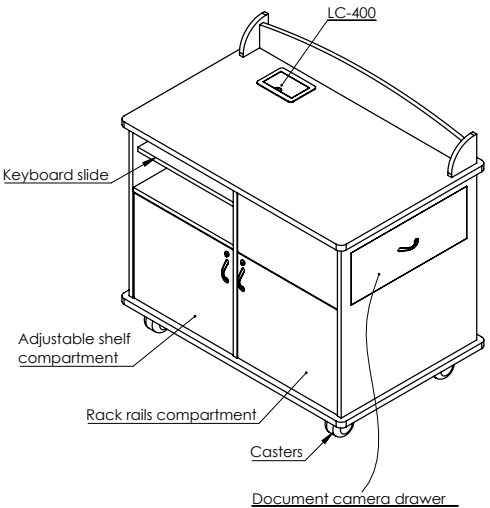
### HOW TO ORDER





# MM1200 Podium

Exterior or Interior	Feature	Feature Included
<b>Podium Finish</b>	Body Finish	Standard laminates with matching edge banding
<b>Interior Racking</b>	Front Rack Rails	Includes Pair of Front Rack rails – 10RU for both compartments
<b>Interior Options</b>	Side Document Camera Drawer	Large, locking pull-out side drawer suitable for document cameras or projectors
	Rack Rails	10RU Racking Rails included - option to switch for Adjustable Shelf in CPU compartment.
<b>Exterior Options</b>	Work Surface	Flat Work Surface
	Front Door	Front Locking Door
	Rear Access Door	Rear Access Removable Locking Panel
	Castors	4.5" Castors – 2 locking and 2 non-locking castors



**1. PRODUCT CODE**

Code	Dimensions	Price
<b>MM1200</b>	44-1/4" W x 36-3/8"H x 29"D	\$5,360

**2. BODY FINISH**

**LAMINATES**

Code	Description	Code	Description
<b>BW</b>	459-58 Brite White	<b>ST</b>	9319-BH Stainless
<b>BLK</b>	909-58 Black	<b>AB</b>	5784 Ashwood Bone
<b>BF</b>	8916-58 Blackened Fiberwood	<b>WWB</b>	6372 Whitewashed Birchply
<b>CO</b>	9374-43 Cocoa Oak	<b>SC</b>	7759-43 Select Cherry
<b>HW</b>	5788 Hazel Walnut	<b>NM</b>	9236-43 Noble Mahogany
<b>BE</b>	5793 Buff Elm	<b>CM</b>	7738-58 Cognac Maple
<b>PG</b>	902-58 Platinum Grey	<b>SM</b>	9237-58 Sand Maple
<b>GG</b>	9300-58 Gray Grafix	<b>HPL</b>	Custom High-Pressure Laminate
<b>CH</b>	8955-43 Cinnamon Cherry		

**CUSTOM LAMINATES**

Code	Supplier & Laminate Code	Price Upcharge
<b>FO##</b>	Formica - TBD	\$400
<b>WA##</b>	Wilson Art- TBD	
<b>PI##</b>	Pionite- TBD	
<b>NE##</b>	Nevamar- TBD	
<b>AR##</b>	Arborite- TBD	
Insert specific laminate code in place of ##		

For specialty compact laminates please call us at 1-800-263-2387 or email us at customerservice@egan.com

**WOOD STAINS**

Standard veneer substrate is maple.

Code	Description	Price Upcharge
<b>HS</b>	Haystack	\$2,420
<b>WL</b>	Woodland	
<b>DW</b>	Driftwood	
<b>BB</b>	Barnboard	
<b>CB</b>	Carbon	
<b>NA</b>	Natural	
<b>CS</b>	Custom Stain	Call for Quote

**Rack Rails, Interior & Exterior Options on Next Page**

# MM1200 Podium

## RACK RAIL OPTIONS

### 3 (A). FRONT RACK RAILS

Front Rack Rails			Rack Size Impact Other Podium Options						
Code	Rack Rail	Availability	Front Door (Style determined by Rack Rail Sizing)	Front Panel	Drawers	Keyboard	Adjustable Shelves	Castors	Price
FR10	10RU	Available	Available	Included	Included	Not Included	Included in Storage Compartment	4.5" Castors	\$ 0
FR16	16RU	Available	Available	Not Available	Not Available	Not Available	Not Available	4.5" Castors	\$170

### 3 (B). REAR RACK RAILS

Rear Rack Rails			Rack Size Impact Other Podium Options						
Code	Rack Rail	Availability	Front Door (Style determined by Rack Rail Sizing)	Front Panel	Drawers	Keyboard	Adjustable Shelves	Castors	Price
RR10	10RU	Available Add-On	Available	Included	Included	Not Included	Included in Storage Compartment	4.5" Castors	\$140
RR16	16RU	Available Add-On	Available	Not Available	Not Available	Not Included	Not Available	4.5" Castors	\$170

## EXTERIOR OPTIONS

### 4. DASH

Code	Description	Price
CPH	Control Power Housing	\$420

### 5. DOORS

Code	Description	Price
FLD	Front Locking Door	\$ 0
NSFD	No Solid Front Door	\$ 0

### 6. REAR ACCESS PANEL

Code	Description	Price
RAP	Rear Access Locking Panel	\$ 0
RLD	Rear Access Locking Door	\$380

### 7. DOOR HINGE

Code	Description	Price
270H	270 Degree Hinge	\$270

### 8. LOCKS

Code	Description	Price
LK	Locks	\$ 0
NLK	No Locks	\$ 0
COM	Custom Locks	Call for Quote

For custom order lock requests please call us at 1-800-263-2387 or email us at customerservice@egan.com

### 9. DRAWERS

Code	Description	Price
*DCDL	Side Document Camera Drawer -Left	\$450
*DCDR	Side Document Camera Drawer -Right	\$450
FSD	Front Storage	\$300

\*Note: Can request left or right-side document drawer

### 10. SIDE SHELF

Code	Description	Price
SSL	Side Shelf Left	\$260
SSR	Side Shelf Right	\$260
SSB	Both Left & Right Side Shelves	\$520

### 11. CASTORS

Code	Description	Price
CT4	4.5" Castors	\$ 0
PCT4	4.5" Premium Castors	\$210

# MM1200 Podium

## INTERIOR OPTIONS

### 12. ADJUSTABLE SHELVES

Code	Description	Price
AS	Adjustable Shelves	\$130

You cannot order Adjustable Shelves with rack rails

### 13. KEYBOARD PULL OUT SHELF

Code	Description	Price
NKB	No Keyboard Pull out shelves	\$ 0
KB	Keyboard Pull out shelves	\$270

## ACCESSORIES & CUSTOMIZATION

### 14. HARDWARE

Code	Description	Price
MIC	Gooseneck microphone	\$953
HL	High intensity gooseneck light	\$260
LCDM	LCD Monitor Vesa Mount	\$360
LCDM2	LCD Monitor Vesa Dual Mount	\$637

If selecting multiple hardware options, please note you may only select one Monitor Mount.

### 15. POWER

You may select multiple power options

Code	Description	Price
PB	Power Bar	\$120
PBR	Power Bar Rack	\$260
AC4USB	AC4 Plus USB Chargers	\$210
CWG2	Lap top connection	\$667

### 16. FANS

Code	Description	Price
QF1	Quiet Fan - 1PK	\$200
QF2	Quiet Fan - 2PK	\$200
TF1	Thermo Fan - 1PK	\$270
TF2	Thermo Fan - 2PK	\$270

### 17. VENTILATION PANELS

You may select multiple ventilation panels

Code	Description	Price
V15SV	Vent Panel 3.5" X 15" – in Silver Color	\$110
V15BL	Vent Panel 3.5" X 15" – in Black Color	\$110
V15WH	Vent Panel 3.5" X 15" – in White Color	\$110
V19SV	Vent Panel 3.5" X 19" – in Silver Color	\$110
V19BL	Vent Panel 3.5" X 19" – in Black Color	\$110
V19WH	Vent Panel 3.5" X 19" – in White Color	\$110

Ventilation panel location is determined by engineering for maximum circulation of air flow.

### EGANINK

Specify EganINK on EVS, Glass, and acoustic/tackable materials. Please reach to our team for an EganINK quote with your custom art file.

### CUT OUT

Additional CUT OUTs are \$60. Please reach out to our team to specify location.

### ENGRAVINGS

Please reach to our team for an Engraving quote with your custom art file.

### HOW TO ORDER

**MM1200 BW FR10 CPH FLD RAP 270H LK**

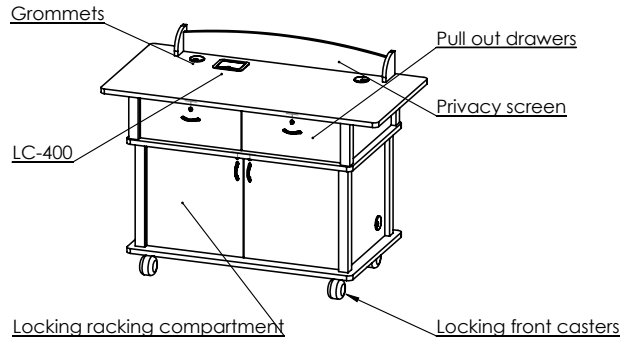
1. Product Code      2. Body Finish      3. Rack Rails      4. Dash      5. Door      6. Rear Access Panel      7. Door Hinge      8. Locks

**FSD SBB CT4 KB MIC HL PB QF1 V15SV**

9. Drawers      10. Side Shelf      11. Casters/Levelers      13. Keyboard      14. Hardware      15. Power      16. Fans      17. Ventilation Panels

# MM2500 Podium

Exterior or Interior	Feature	Feature Included
<b>Podium Finish</b>	Body Finish	Standard laminates with matching edge banding
<b>Interior Racking</b>	Front Rack Rails	Includes Pair of Front Rack rails – 12RU for both compartments
<b>Interior Options</b>	Pull out storage drawer	Locking pull out drawer
	Large Storage Compartment	One Large Locking Storage Compartment
<b>Exterior Options</b>	Work Surface	Flat Work Surface
	Front Door	Front Locking Door
	Privacy Screen	4" Privacy Screen
	Rear Access Panel	Rear Access Removable Locking Panel
	Castors	4.5" Castors – 2 locking and 2 non-locking castors



## 1. PRODUCT CODE

Code	Dimensions	Price
<b>MM2500</b>	59" W x 38-7/8"H x 29"D	\$7,000

## 2. BODY FINISH

### LAMINATES

Code	Description	Code	Description
<b>BW</b>	459-58 Brite White	<b>ST</b>	9319-BH Stainless
<b>BLK</b>	909-58 Black	<b>AB</b>	5784 Ashwood Bone
<b>BF</b>	8916-58 Blackened Fiberwood	<b>WWB</b>	6372 Whitewashed Birchply
<b>CO</b>	9374-43 Cocoa Oak	<b>SC</b>	7759-43 Select Cherry
<b>HW</b>	5788 Hazel Walnut	<b>NM</b>	9236-43 Noble Mahogany
<b>BE</b>	5793 Buff Elm	<b>CM</b>	7738-58 Cognac Maple
<b>PG</b>	902-58 Platinum Grey	<b>SM</b>	9237-58 Sand Maple
<b>GG</b>	9300-58 Gray Grafix	<b>HPL</b>	Custom High-Pressure Laminate
<b>CH</b>	8955-43 Cinnamon Cherry		

### CUSTOM LAMINATES

Code	Supplier & Laminate Code	Price Upcharge
<b>FO##</b>	Formica - TBD	\$400
<b>WA##</b>	Wilson Art- TBD	
<b>PI##</b>	Pionite- TBD	
<b>NE##</b>	Nevamar- TBD	
<b>AR##</b>	Arborite- TBD	
Insert specific laminate code in place of ##		

For specialty compact laminates please call us at 1-800-263-2387 or email us at customerservice@egan.com

### WOOD STAINS

Standard veneer substrate is maple.

Code	Description	Price Upcharge
<b>HS</b>	Haystack	\$3,340
<b>WL</b>	Woodland	
<b>DW</b>	Driftwood	
<b>BB</b>	Barnboard	
<b>CB</b>	Carbon	
<b>NA</b>	Natural	
<b>CS</b>	Custom Stain	Call for Quote

**Rack Rails, Interior & Exterior Options on Next Page**

# MM2500 Podium

## 3. LINAK COLOR

Code	Description
SV	Silver
BL	Black
Wh	White

## RACK RAIL OPTIONS

### 4 (A). FRONT RACK RAILS

Front Rack Rails			Rack Size Impact Other Podium Options					
Code	Rack Rail	Availability	Front Door (Style determined by Rack Rail sizing)	Storage Compartment	Document Camera Drawer	Adjustable Shelves	Castors	Price
FR12	12RU	Available	Included	Included	Included	Included in Storage Compartment	Included	\$ 0

### 4 (B). REAR RACK RAILS

Rear Rack Rails			Rack Size Impact Other Podium Options						
Code	Rack Rail	Availability	Front Door (Style determined by Rack Rail sizing)	Front Panel	Drawers	Keyboard	Front Door	Castors	Price
RR12	12RU	Available	Included	FR12	12RU Front Rack Rail	Standard	Standard Included	Included	\$150

## EXTERIOR OPTIONS

### 5. DASH

Code	Description	Price
CPH	Control Power Housing	\$420

### 6. DOORS

Code	Description	Price
FLD	Front Locking Door	\$ 0
NSFD	No Solid Front Door	\$ 0

### 7. REAR ACCESS PANEL

Code	Description	Price
RAP	Rear Access Locking Panel	\$ 0
RLD	Rear Access Locking Door	\$380

### 8. DOOR HINGE

Code	Description	Price
270H	270 Degree Hinge	\$270

### 9. LOCKS

Code	Description	Price
LK	Locks	\$ 0
NLK	No Locks	\$ 0
COM	Custom Locks	Call for Quote

For custom order lock requests please call us at 1-800-263-2387 or email us at customerservice@egan.com

### 10. DRAWERS

Code	Description	Price
FSD	Front Storage Drawer	\$ 0
*DCDL	Side Document Camera Drawer -Left	\$ 450
*DCDR	Side Document Camera Drawer -Right	\$ 450

\*Note: Can request left or right-side document drawer

### 11. SIDE SHELF

Code	Description	Price
SSL	Side Shelf Left	\$260
SSR	Side Shelf Right	\$260
SSB	Both Left & Right Side Shelves	\$520

### 12. CASTORS

Code	Description	Price
CT4	4.5" Castors	\$ 0

# MM2500 Podium

## INTERIOR OPTIONS

### 13. ADJUSTABLE SHELVES

Code	Description	Price
AS	Adjustable Shelves	\$130

You cannot order Adjustable Shelves with rack rails

### 14. KEYBOARD PULL OUT SHELF

Code	Description	Price
NKB	No Keyboard Pull out shelves	\$ 0
KB	Keyboard with Pull out shelf	\$270

## ACCESSORIES & CUSTOMIZATION

### 14. HARDWARE

Code	Description	Price
MIC	Gooseneck microphone	\$953
HL	High intensity gooseneck light	\$260
LCDM	LCD Monitor Vesa Mount	\$360
LCDM2	LCD Monitor Vesa Dual Mount	\$637

If selecting multiple hardware options, please note you may only select one Monitor Mount.

### 15. POWER

You may select multiple power options

Code	Description	Price
PB	Power Bar	\$120
PBR	Power Bar Rack	\$260
AC4USB	AC4 Plus USB Chargers	\$210
CWG2	Lap top connection	\$667

### 16. FANS

Code	Description	Price
QF1	Quiet Fan - 1PK	\$200
QF2	Quiet Fan - 2PK	\$400
TF1	Thermo Fan - 1PK	\$270
TF2	Thermo Fan - 2PK	\$540

### 17. VENTILATION PANELS

You may select multiple ventilation panels

Code	Description	Price
V15SV	Vent Panel 3.5" X 15" – in Silver Color	\$110
V15BL	Vent Panel 3.5" X 15" – in Black Color	\$110
V15WH	Vent Panel 3.5" X 15" – in White Color	\$110
V19SV	Vent Panel 3.5" X 19" – in Silver Color	\$110
V19BL	Vent Panel 3.5" X 19" – in Black Color	\$110
V19WH	Vent Panel 3.5" X 19" – in White Color	\$110

Ventilation panel location is determined by engineering for maximum circulation of air flow.

### EGANINK

Specify EganINK on EVS, Glass, and acoustic/tackable materials. Please reach to our team for an EganINK quote with your custom art file.

### CUT OUT

Additional CUT OUTs are \$60. Please reach out to our team to specify location.

### ENGRAVINGS

Please reach to our team for an Engraving quote with your custom art file.

### HOW TO ORDER

**MM2500 BW BL FR12 CPH FLD RAP 270H**

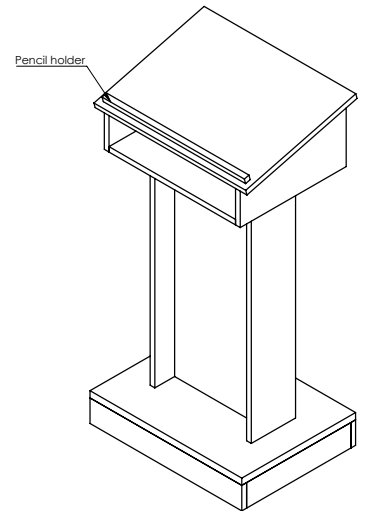
1. Product Code    2. Body Finish    3. Trim Color    4. Rack Rails    5. Dash    6. Door    7. Rear Access Panel    8. Door Hinge

**LK FSD SBB CT4 KB MIC PB QF1 V15SV**

9. Locks    10. Drawers    11. Side Shelf    12. Casters/Levelers    14. Keyboard    15. Hardware    16. Power    17. Fans    18. Ventilation Panels

# PM200 Portable Podium

Exterior or Interior	Feature	Feature Included
Exterior	Surface Color	Standard laminates with matching edge banding
	Work Surface	Sloped Work Surface with pencil edge
	Levelers	Levelers
Interior	Storage Compartment	Open storage compartment



## 1. PRODUCT CODE

Code	Dimensions	Price
<b>PM200</b>	24" W x 48-1/8"H x 18" D	\$1,300

## 2. BODY FINISH

### LAMINATES

Code	Description	Code	Description
<b>BW</b>	459-58 Brite White	<b>ST</b>	9319-BH Stainless
<b>BLK</b>	909-58 Black	<b>AB</b>	5784 Ashwood Bone
<b>BF</b>	8916-58 Blackened Fiberwood	<b>WWB</b>	6372 Whitewashed Birchply
<b>CO</b>	9374-43 Cocoa Oak	<b>SC</b>	7759-43 Select Cherry
<b>HW</b>	5788 Hazel Walnut	<b>NM</b>	9236-43 Noble Mahogany
<b>BE</b>	5793 Buff Elm	<b>CM</b>	7738-58 Cognac Maple
<b>PG</b>	902-58 Platinum Grey	<b>SM</b>	9237-58 Sand Maple
<b>GG</b>	9300-58 Gray Grafix	<b>HPL</b>	Custom High-Pressure Laminate
<b>CH</b>	8955-43 Cinnamon Cherry		

### CUSTOM LAMINATES

Code	Supplier & Laminate Code	Price Upcharge
<b>FO##</b>	Formica - TBD	\$200
<b>WA##</b>	Wilson Art- TBD	
<b>PI##</b>	Pionite- TBD	
<b>NE##</b>	Nevamar- TBD	
<b>AR##</b>	Arborite- TBD	
Insert specific laminate code in place of ##		

For specialty compact laminates please call us at 1-800-263-2387 or email us at customerservice@egan.com

### WOOD STAINS

Standard veneer substrate is maple.

Code	Description	Price Upcharge
<b>HS</b>	Haystack	\$1,060
<b>WL</b>	Woodland	
<b>DW</b>	Driftwood	
<b>BB</b>	Barnboard	
<b>CB</b>	Carbon	
<b>NA</b>	Natural	Call for Quote
<b>CS</b>	Custom Stain	

## EXTERIOR OPTIONS

### 3. CASTORS OR LEVELERS

Code	Description	Price
<b>LL</b>	Levelers	\$ 0
<b>CT3</b>	3.5" Castors	\$128
<b>TR</b>	Tilt and Roll, 2 castors and 2 levelers	\$110

# PM200 Portable Podium

## ACCESSORIES & CUSTOMIZATION

### 13. HARDWARE

Code	Description	Price
<b>MIC</b>	Gooseneck microphone	\$953
<b>HL</b>	High intensity gooseneck light	\$260
<b>LCDM</b>	LCD Monitor Vesa Mount	\$360
<b>LCDM2</b>	LCD Monitor Vesa Dual Mount	\$637

If selecting multiple hardware options, please note you may only select one Monitor Mount.

### 14. POWER

You may select multiple power options

Code	Description	Price
<b>PB</b>	Power Bar	\$120
<b>PBR</b>	Power Bar Rack	\$260
<b>AC4USB</b>	AC4 Plus USB Chargers	\$210
<b>CWG2</b>	Lap top connection	\$667

### 15. FANS

Code	Description	Price
<b>QF1</b>	Quiet Fan - 1PK	\$200
<b>QF2</b>	Quiet Fan - 2PK	\$400
<b>TF1</b>	Thermo Fan - 1PK	\$270
<b>TF2</b>	Thermo Fan - 2PK	\$540

### 16. VENTILATION PANELS

You may select multiple ventilation panels

Code	Description	Price
<b>V15SV</b>	Vent Panel 3.5" X 15" – in Silver Color	\$110
<b>V15BL</b>	Vent Panel 3.5" X 15" – in Black Color	\$110
<b>V15WH</b>	Vent Panel 3.5" X 15" – in White Color	\$110
<b>V19SV</b>	Vent Panel 3.5" X 19" – in Silver Color	\$110
<b>V19BL</b>	Vent Panel 3.5" X 19" – in Black Color	\$110
<b>V19WH</b>	Vent Panel 3.5" X 19" – in White Color	\$110

Ventilation panel location is determined by engineering for maximum circulation of air flow.

### EGANINK

Specify EganINK on EVS, Glass, and acoustic/tackable materials. Please reach to our team for an EganINK quote with your custom art file.

### CUT OUT

Additional CUT OUTs are \$60. Please reach out to our team to specify location.

### ENGRAVINGS

Please reach to our team for an Engraving quote with your custom art file.

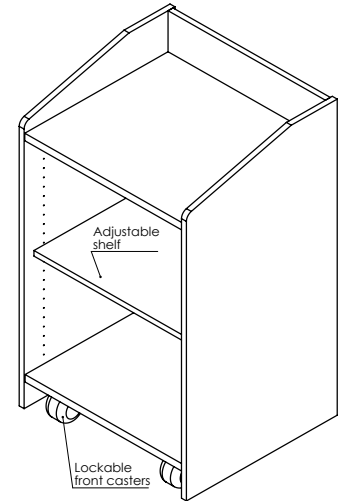
### HOW TO ORDER





# PM300 Podium

Exterior or Interior	Feature	Feature Included
<b>Podium Finish</b>	Body Finish	Standard laminates with matching edge banding
<b>Interior Racking Options</b>	Front Rack Rails	Includes Front Rack rails – 18RU
<b>Exterior Options</b>	Work Surface	Flat Work Surface
	Casters	4.5" Castors – 2 locking and 2 non-locking castors



## 1. PRODUCT CODE

Code	Dimensions	Price
<b>PM300</b>	24" W x 43-5/8"H x 23"D	\$1,310

## 2. BODY FINISH

### LAMINATES

Code	Description	Code	Description
<b>BW</b>	459-58 Brite White	<b>ST</b>	9319-BH Stainless
<b>BLK</b>	909-58 Black	<b>AB</b>	5784 Ashwood Bone
<b>BF</b>	8916-58 Blackened Fiberwood	<b>WWB</b>	6372 Whitewashed Birchply
<b>CO</b>	9374-43 Cocoa Oak	<b>SC</b>	7759-43 Select Cherry
<b>HW</b>	5788 Hazel Walnut	<b>NM</b>	9236-43 Noble Mahogany
<b>BE</b>	5793 Buff Elm	<b>CM</b>	7738-58 Cognac Maple
<b>PG</b>	902-58 Platinum Grey	<b>SM</b>	9237-58 Sand Maple
<b>GG</b>	9300-58 Gray Grafix	<b>HPL</b>	Custom High-Pressure Laminate
<b>CH</b>	8955-43 Cinnamon Cherry		

### CUSTOM LAMINATES

Code	Supplier & Laminate Code	Price Upcharge
<b>FO##</b>	Formica - TBD	\$200
<b>WA##</b>	Wilson Art- TBD	
<b>PI##</b>	Pionite- TBD	
<b>NE##</b>	Nevamar- TBD	
<b>AR##</b>	Arborite- TBD	
Insert specific laminate code in place of ##		

For specialty compact laminates please call us at 1-800-263-2387 or email us at customerservice@egan.com

### WOOD STAINS

Standard veneer substrate is maple.

Code	Description	Price Upcharge
<b>HS</b>	Haystack	\$1,220
<b>WL</b>	Woodland	
<b>DW</b>	Driftwood	
<b>BB</b>	Barnboard	
<b>CB</b>	Carbon	
<b>NA</b>	Natural	
<b>CS</b>	Custom Stain	Call for Quote

## RACK RAIL OPTIONS

### 3 (A). FRONT RACK RAILS

Front Rack Rails			Rack Size Impact Other Podium Options						
Code	Rack Rail	Availability	Front Door (Style determined by Rack Rail sizing)	Front Panel	Drawers	Keyboard	Adjustable Shelves	Castors	Price
<b>FR18</b>	18RU	Included	Included	Included	Not Available	Included	Not Available	Included	\$ 0

### 3 (B). REAR RACK RAILS

Rear Rack Rails			Rack Size Impact Other Podium Options						
Code	Rack Rail	Availability	Front Door (Style determined by Rack Rail sizing)	Front Panel	Drawers	Keyboard	Adjustable Shelves	Castors	Price
<b>RR18</b>	18RU	Available	Included	Included	Not Available	Included	Not Available	Included	\$177

# PM300 Podium

## EXTERIOR OPTIONS

### 4. WORK SURFACE

Code	Description	Price
FWS	Flat Work Surface	\$ 0
SWS	Sloped Work Surface	\$296

### 7. SIDE SHELF

Code	Description	Price
SSL	Side Shelf Left	\$260
SSR	Side Shelf Right	\$260
SSB	Both Left & Right Side Shelves	\$520

### 5. FRONT DOOR

Code	Description	Price
NFD	No Solid Front Door	\$ 0
FLD	Front Locking Door	\$230

### 8. CASTORS OR LEVELERS

Code	Description	Price
CT4	4.5" Castors	\$ 0
LL	Levelers	\$111

### 6. LOCKS

Code	Description	Price
LK	Locks	\$ 0
NLK	No Locks	\$ 0
COM	Custom Locks	Call for Quote

For custom lock requests please call 1-800-263-2387 or email customerservice@egan.com

## INTERIOR OPTIONS

### 9. ADJUSTABLE SHELVES

Code	Description	Price
NAS	No Adjustable Shelves	\$ 0
AS	Adjustable Shelves	\$130

You cannot order Adjustable Shelves with rack rails

## ACCESSORIES & CUSTOMIZATION

### 10. HARDWARE

Code	Description	Price
MIC	Gooseneck microphone	\$953
HL	High intensity gooseneck light	\$260
LCDM	LCD Monitor Vesa Mount	\$360
LCDM2	LCD Monitor Vesa Dual Mount	\$637

If selecting multiple hardware options, please note you may only select one Monitor Mount.

### 12. FANS

Code	Description	Price
QF1	Quiet Fan - 1PK	\$200
QF2	Quiet Fan - 2PK	\$400
TF1	Thermo Fan - 1PK	\$270
TF2	Thermo Fan - 2PK	\$540

### 11. POWER

You may select multiple power options

Code	Description	Price
PB	Power Bar	\$120
PBR	Power Bar Rack	\$260
AC4USB	AC4 Plus USB Chargers	\$210
CWG2	Lap top connection	\$667

### 13. VENTILATION PANELS

You may select multiple ventilation panels

Code	Description	Price
V15SV	Vent Panel 3.5" X 15" – in Silver Color	\$110
V15BL	Vent Panel 3.5" X 15" – in Black Color	\$110
V15WH	Vent Panel 3.5" X 15" – in White Color	\$110
V19SV	Vent Panel 3.5" X 19" – in Silver Color	\$110
V19BL	Vent Panel 3.5" X 19" – in Black Color	\$110
V19WH	Vent Panel 3.5" X 19" – in White Color	\$110

Ventilation panel location is determined by engineering for maximum circulation of air flow.

### EGANINK

Specify EganINK on EVS, Glass, and acoustic/tackable materials. Please reach to our team for an EganINK quote with your custom art file.

### CUT OUT

Additional CUT OUTS are \$150. Please reach out to our team to specify location.

# PM300 Podium

## ENGRAVINGS

Please reach to our team for an Engraving quote with your custom art file.

## HOW TO ORDER

**PM300 BW FR12 FWS FD LK CT4 NAS**

1. Product Code

2. Body Finish

3. Rack Rails

4. Work Surface

5. Front Door

6. Locks

8. Castors/  
Levelers

9. Adjustable Shelf

**MIC HL PB QF1 V15SV**

10. Hardware

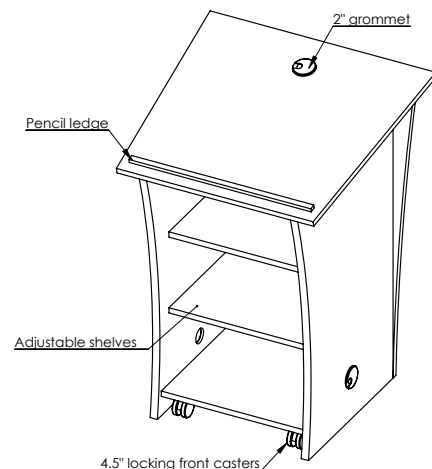
11. Power

12. Fans

13. Ventilation Panels

# PM350 Contemporary Portable Podium

Exterior or Interior	Feature	Feature Included
<b>Exterior</b>	Surface Color	Standard laminates with matching edge banding
	Work Surface	Sloped Work Surface with pencil ledge.
	Rear Access Panel	Locking Removable Access Panel
	Castors	4.5" Castors – 2 locking and 2 non-locking
<b>Interior</b>	Adjustable Shelf	One Adjustable Shelf
	Cable Management	Grommets included on top, adjustable shelf and bottom



## 1. PRODUCT CODE

Code	Dimensions	Price
<b>PM350</b>	28" W x 44-5/8"H x 30"D	\$1,610

## 2. BODY FINISH

### LAMINATES

Code	Description	Code	Description
<b>BW</b>	459-58 Brite White	<b>ST</b>	9319-BH Stainless
<b>BLK</b>	909-58 Black	<b>AB</b>	5784 Ashwood Bone
<b>BF</b>	8916-58 Blackened Fiberwood	<b>WWB</b>	6372 Whitewashed Birchply
<b>CO</b>	9374-43 Cocoa Oak	<b>SC</b>	7759-43 Select Cherry
<b>HW</b>	5788 Hazel Walnut	<b>NM</b>	9236-43 Noble Mahogany
<b>BE</b>	5793 Buff Elm	<b>CM</b>	7738-58 Cognac Maple
<b>PG</b>	902-58 Platinum Grey	<b>SM</b>	9237-58 Sand Maple
<b>GG</b>	9300-58 Gray Grafix	<b>HPL</b>	Custom High-Pressure Laminate
<b>CH</b>	8955-43 Cinnamon Cherry		

### CUSTOM LAMINATES

Code	Supplier & Laminate Code	Price Upcharge
<b>FO##</b>	Formica - TBD	\$300
<b>WA##</b>	Wilson Art- TBD	
<b>PI##</b>	Pionite- TBD	
<b>NE##</b>	Nevamar- TBD	
<b>AR##</b>	Arborite- TBD	
Insert specific laminate code in place of ##		

For specialty compact laminates please call us at 1-800-263-2387 or email us at customerservice@egan.com

### WOOD STAINS

Standard veneer substrate is maple.

Code	Description	Price Upcharge
<b>HS</b>	Haystack	\$280
<b>WL</b>	Woodland	
<b>DW</b>	Driftwood	
<b>BB</b>	Barnboard	
<b>CB</b>	Carbon	
<b>NA</b>	Natural	Call for Quote
<b>CS</b>	Custom Stain	

**Interior Options & Accessories on Next Page**

# PM350 Contemporary Portable Podium

## INTERIOR RACKING OPTIONS

### 3. DASH

Code	Description	Price
CPH	Control Panel Housing	\$420

### 5. CASTORS OR LEVELERS

Code	Description	Price
CT4	4.5" Castors	\$ 0
LL	Levelers	\$111

### 4. SIDE SHELF

Code	Description	Price
SSL	Side Shelf Left	\$260
SSR	Side Shelf Right	\$260
SSB	Both Left & Right Side Shelves	\$520

## INTERIOR OPTIONS

### 6. ADJUSTABLE SHELVES

Code	Description	Price
AS	Adjustable Shelves	\$ 0
AAS	Additional Adjustable Shelf	\$130

You cannot order Adjustable Shelves with rack rails

### 7. KEYBOARD PULL OUT SHELF

Code	Description	Price
KB	Keyboard Pull Out Shelf	\$270

## ACCESSORIES & CUSTOMIZATION

### 8. HARDWARE

Code	Description	Price
MIC	Gooseneck microphone	\$953
HL	High intensity gooseneck light	\$260
LCDM	LCD Monitor Vesa Mount	\$360
LCDM2	LCD Monitor Vesa Dual Mount	\$637

If selecting multiple hardware options, please note you may only select one Monitor Mount.

### 9. POWER

You may select multiple power options

Code	Description	Price
PB	Power Bar	\$120
PBR	Power Bar Rack	\$260
AC4USB	AC4 Plus USB Chargers	\$210
CWG2	Lap Top Connection	\$667

### 10. FANS

Code	Description	Price
QF1	Quiet Fan - 1PK	\$200
QF2	Quiet Fan - 2PK	\$400
TF1	Thermo Fan - 1PK	\$270
TF2	Thermo Fan - 2PK	\$540

### 11. VENTILATION PANELS

You may select multiple ventilation panels

Code	Description	Price
V15SV	Vent Panel 3.5" X 15" - in Silver Color	\$110
V15BL	Vent Panel 3.5" X 15" - in Black Color	\$110
V15WH	Vent Panel 3.5" X 15" - in White Color	\$110
V19SV	Vent Panel 3.5" X 19" - in Silver Color	\$110
V19BL	Vent Panel 3.5" X 19" - in Black Color	\$110
V19WH	Vent Panel 3.5" X 19" - in White Color	\$110

Ventilation panel location is determined by engineering for maximum circulation of air flow.

### EGANINK

Specify EganINK on EVS, Glass, and acoustic/tackable materials. Please reach to our team for an EganINK quote with your custom art file.

# PM350 Podium Contemporary Portable Podium

## CUT OUT

Additional CUT OUTs are \$150. Please reach out to our team to specify location.

## ENGRAVINGS

Please reach to our team for an Engraving quote with your custom art file.

## HOW TO ORDER

**PM350 BW CPH SSB CT4 AS KB MIC HL**

1. Product Code

2. Body Finish

3. Dash

4. Side Shelf

5. Castors/  
Levelers

6. Adjustable  
Shelves

7. Keyboard  
Slide

8. Hardware

**PB QF1 V15SV**

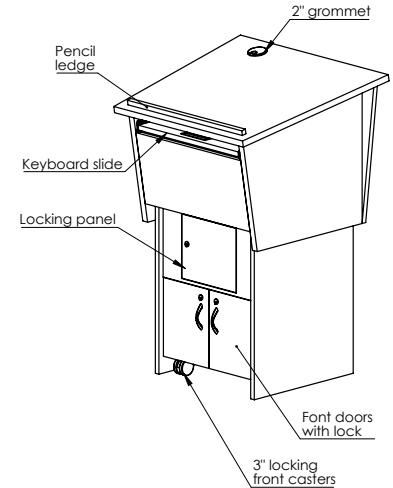
9. Power

10. Fans

11. Ventilation Panels

# PM350 LIFT Podium

Exterior or Interior	Feature	Feature Included
<b>Podium Finish</b>	Body Finish	Standard laminates with matching edge banding
<b>Interior Racking Options</b>	Front Rack Rails	Includes Front Rack rails – 5RU
<b>Interior Options</b>	Keyboard	Key Board Pull Out shelf
	Cable Management	Grommets located throughout podium.
<b>Exterior Options</b>	Work Surface	Sloped Work Surface
	Front Door	Front Locking Doors
	Rear Access Panel	Rear Access Panel
	Casters	3.5" Castors – 2 locking and 2 non-locking castors



## 1. PRODUCT CODE

Code	Dimensions	Price
<b>PML350</b>	31" W x 47"H x 30"D	\$7,150

## 2. BODY FINISH

### LAMINATES

Code	Description	Code	Description
<b>BW</b>	459-58 Brite White	<b>ST</b>	9319-BH Stainless
<b>BLK</b>	909-58 Black	<b>AB</b>	5784 Ashwood Bone
<b>BF</b>	8916-58 Blackened Fiberwood	<b>WWB</b>	6372 Whitewashed Birchply
<b>CO</b>	9374-43 Cocoa Oak	<b>SC</b>	7759-43 Select Cherry
<b>HW</b>	5788 Hazel Walnut	<b>NM</b>	9236-43 Noble Mahogany
<b>BE</b>	5793 Buff Elm	<b>CM</b>	7738-58 Cognac Maple
<b>PG</b>	902-58 Platinum Grey	<b>SM</b>	9237-58 Sand Maple
<b>GG</b>	9300-58 Gray Grafix	<b>HPL</b>	Custom High-Pressure Laminate
<b>CH</b>	8955-43 Cinnamon Cherry		

### CUSTOM LAMINATES

Code	Supplier & Laminate Code	Price Upcharge
<b>FO##</b>	Formica - TBD	\$300
<b>WA##</b>	Wilson Art- TBD	
<b>PI##</b>	Pionite- TBD	
<b>NE##</b>	Nevamar- TBD	
<b>AR##</b>	Arborite- TBD	
Insert specific laminate code in place of ##		

For specialty compact laminates please call us at 1-800-263-2387 or email us at customerservice@egan.com

### WOOD STAINS

Standard veneer substrate is maple.

Code	Description	Price Upcharge
<b>HS</b>	Haystack	\$2,190
<b>WL</b>	Woodland	
<b>DW</b>	Driftwood	
<b>BB</b>	Barnboard	
<b>CB</b>	Carbon	
<b>NA</b>	Natural	Call for Quote
<b>CS</b>	Custom Stain	

**Interior Options on Next Page**

# PM350 LIFT Podium

## RACK RAIL OPTIONS

### 3 (A). FRONT RACK RAILS

Front Rack Rails			Rack Size Impact Other Podium Options				
Code	Rack Rail	Availability	Front Door (Style determined by Rack Rail sizing)	Keyboard	Adjustable Shelves	Castors	Price
FR5	5RU	Included	Included	Included	Not Available	Included	\$ 0

### 3 (B). REAR RACK RAILS

Rear Rack Rails			Rack Size Impact Other Podium Options				
Code	Rack Rail	Availability	Front Door (Style determined by Rack Rail sizing)	Keyboard	Adjustable Shelves	Castors	Price
RR5	5RU	Available	Included	Included	Not Available	Included	\$120

## EXTERIOR OPTIONS

### 4. DASH

Code	Description	Price
CPH	Control Panel Housing	\$420

### 5. FRONT DOOR

Code	Description	Price
FLD	Front Locking Door	\$ 0
ND	No Front Doors	\$ 0

### 6. LOCKS

Code	Description	Price
LK	Locks	\$ 0
NLK	No Locks	\$ 0
COM	Custom Locks	Call for Quote

For custom order lock requests please call us at 1-800-263-2387 or email us at customerservice@egan.com

### 7. SIDE SHELF

Code	Description	Price
SSL	Side Shelf Left	\$260
SSR	Side Shelf Right	\$260
SSB	Both Left & Right Side Shelves	\$520

### 8. CASTORS OR LEVELERS

Code	Description	Price
CT3	3.5" Castor	\$ 0
LL	Levelers	\$111

## INTERIOR OPTIONS

### 9. KEYBOARD PULL OUT SHELF

Code	Description	Price
KB	Keyboard Pull out shelf	\$ 0
NKB	No Keyboard Pull out shelves	\$270

### 10. DRAWERS

Code	Description	Price
FSD	Front Storage Drawer	\$ 0



# PM350 LIFT Podium

## ACCESSORIES & CUSTOMIZATION

### 11. HARDWARE

Code	Description	Price
<b>MIC</b>	Gooseneck microphone	\$953
<b>HL</b>	High intensity gooseneck light	\$260
<b>LCDM</b>	LCD Monitor Vesa Mount	\$360

If selecting multiple hardware options, please note you may only select one Monitor Mount.

### 12. POWER

You may select multiple power options

Code	Description	Price
<b>PB</b>	Power Bar	\$120
<b>PBR</b>	Power Bar Rack	\$260
<b>AC4USB</b>	AC4 Plus USB Chargers	\$210

### 13. FANS

Code	Description	Price
<b>QF1</b>	Quiet Fan - 1PK	\$200
<b>TF1</b>	Thermo Fan - 1PK	\$270

### 14. VENTILATION PANELS

You may select multiple ventilation panels

Code	Description	Price
<b>V15SV</b>	Vent Panel 3.5" X 15" – in Silver Color	\$110
<b>V15BL</b>	Vent Panel 3.5" X 15" – in Black Color	\$110
<b>V15WH</b>	Vent Panel 3.5" X 15" – in White Color	\$110
<b>V19SV</b>	Vent Panel 3.5" X 19" – in Silver Color	\$110
<b>V19BL</b>	Vent Panel 3.5" X 19" – in Black Color	\$110
<b>V19WH</b>	Vent Panel 3.5" X 19" – in White Color	\$110

Ventilation panel location is determined by engineering for maximum circulation of air flow.

### EGANINK

Specify EganINK on EVS, Glass, and acoustic/tackable materials. Please reach to our team for an EganINK quote with your custom art file.

### CUT OUT

Additional CUT OUTs are \$150. Please reach out to our team to specify location.

### ENGRAVINGS

Please reach to our team for an Engraving quote with your custom art file.

### HOW TO ORDER

**PML350 BW FR5 CPH FLD LK SSB CT4 NKB**

1. Product Code

2. Body Finish

3. Rack Rails

4. Dash

5. Front Door

6. Locks

7. Side Shelf

8. Castors/  
Levelers

9. Keyboard Slide

**FSD MIC HL PB QF1 V15SV**

10. Drawers

11. Hardware

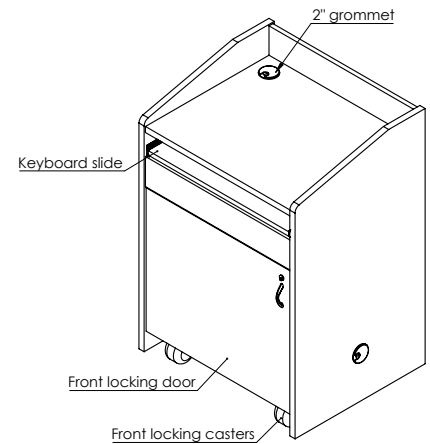
12. Power

13. Fans

14. Ventilation Panels

# PM Podium Series

Exterior or Interior	Feature	Feature Included
<b>Podium Finish</b>	Body Finish	Standard laminates with matching edge banding
<b>Interior Racking Options</b>	Front Rack Rails	Includes Two pair of Front Rack rails – 12RU for both compartments
<b>Interior Options</b>	Keyboard	Key Board Slide
<b>Exterior Options</b>	Work Surface	Flat Work Surface
	Front Door	Front Locking Door
	Rear Access Panel	Rear Locking Access Door
	Casters	4.5" Castors – 2 locking and 2 non-locking castors



## 1. PRODUCT CODE

Code	Description	Price
<b>PM400</b>	30" w x 43-5/8" h x 25" d	\$3,190
<b>PM432</b>	32" W x 43-5/8" H x 30 D	\$3,810
<b>PM434</b>	34" W x 43-5/8 H x 30 D	\$4,082
<b>PM436</b>	36" W x 43-5/8 H x 30 D	\$4,285
<b>PM438</b>	38 "W x 43-5/8 H x 30 D	\$4,602
<b>PM440</b>	40" W x 43-5/8 H x 30 D	\$4,913
<b>PM442</b>	42" W x 43-5/8 H x 30 D	\$5,452

## 2. BODY FINISH

### LAMINATES

Code	Description	Code	Description
<b>BW</b>	459-58 Brite White	<b>ST</b>	9319-BH Stainless
<b>BLK</b>	909-58 Black	<b>AB</b>	5784 Ashwood Bone
<b>BF</b>	8916-58 Blackened Fiberwood	<b>WWB</b>	6372 Whitewashed Birchply
<b>CO</b>	9374-43 Cocoa Oak	<b>SC</b>	7759-43 Select Cherry
<b>HW</b>	5788 Hazel Walnut	<b>NM</b>	9236-43 Noble Mahogany
<b>BE</b>	5793 Buff Elm	<b>CM</b>	7738-58 Cognac Maple
<b>PG</b>	902-58 Platinum Grey	<b>SM</b>	9237-58 Sand Maple
<b>GG</b>	9300-58 Gray Grafix	<b>HPL</b>	Custom High-Pressure Laminate
<b>CH</b>	8955-43 Cinnamon Cherry		

### WOOD STAINS

Standard veneer substrate is maple.

Code	Description	Price
<b>HS</b>	Haystack	Call for Quote
<b>WL</b>	Woodland	
<b>DW</b>	Driftwood	
<b>BB</b>	Barnboard	
<b>CB</b>	Carbon	
<b>NA</b>	Natural	
<b>CS</b>	Custom Stain	

### CUSTOM LAMINATES

Code	Supplier & Laminate Code	Price
<b>FO##</b>	Formica - TBD	Call for Quote
<b>WA##</b>	Wilson Art- TBD	
<b>PI##</b>	Pionite- TBD	
<b>NE##</b>	Nevamar- TBD	
<b>AR##</b>	Arborite- TBD	
Insert specific laminate code in place of ##		

For specialty compact laminates please call us at 1-800-263-2387 or email us at customerservice@egan.com

# PM Podium Series

## RACK RAIL OPTIONS

### 3 (A). FRONT RACK RAILS

Front Rack Rails			Rack Size Impact Other Podium Options						
Code	Rack Rail	Availability	Front Door (Style determined by Rack Rail sizing)	Front Panel	Drawers	Keyboard	Adjustable Shelves	Castors	Price
FR10	10RU	Available	Small Size Front & Rear Door	Included	Available	Included	Not Available	3.5" Castors	\$140
FR12	12RU	Included	Standard Size Front & Rear Door	Included	Not Available	Included	Not Available	4.5" Castors	\$ 0
FR15	15RU	Available	Front Door with no front panel	Not Available	Not Available	Included	Not Available	4.5" Castors	\$160
FR16	16RU	Available	Front Door with no front panel	Not Available	Not Available	Included	Not Available	3.5" Castors	\$170
FR18	18RU	Available	Full Height Door	Not Available	Not Available	Not Available	Not Available	4.5" Castors	\$180

### 3 (B). REAR RACK RAILS

Rear Rack Rails			Rack Size Impact Other Podium Options						
Code	Rack Rail	Availability	Front Door (Style determined by Rack Rail sizing)	Front Panel	Drawers	Keyboard	Adjustable Shelves	Castors	Price
RR10	10RU	Available	Standard Door Size Reduced	Included	Available	Included	Not Available	3.5" Castors	\$140
RR12	12RU	Available	Standard Size Front & Rear Door	Included	Not Available	Included	Not Available	4.5" Castors	\$150
RR15	15RU	Available	Front Door with no front panel	Not Available	Not Available	Included	Not Available	4.5" Castors	\$160
RR16	16RU	Available	Front Door with no front panel	Not Available	Not Available	Included	Not Available	3.5" Castors	\$170
RR18	18RU	Available	Full Height Door	Not Available	Not Available	Not Available	Not Available	4.5" Castors	\$180

## EXTERIOR OPTIONS

### 4. WORK SURFACE

Code	Description	Price
FWS	Flat Work Surface	\$ 0
SWS	Sloped Work Surface	\$296

### 5. DASH

Code	Description	Price
FD	Full Dash	\$420
PD	Partial Dash	\$360

### 6. DOORS

Code	Description	Price
FLD	Front Doors	\$ 0
NSFD	No Solid Front Door	\$ 0

### 7. LOCKS

Code	Description	Price
LK	Locks	\$ 0
NLK	No Locks	\$ 0
COM	Custom Locks	Call for Quote

For custom order lock requests please call us at 1-800-263-2387 or email us at customerservice@egan.com

### 8. DRAWERS

Code	Description	Price
-	No Drawer	\$ 0
DCDL	Side Document Camera Drawer - left	\$450
DCDR	Side Document Camera Drawer - right	\$450
FSD	Front Storage Drawer	\$300

### 9. SIDE SHELF

Code	Description	Price
SSL	Side Shelf Left	\$260
SSR	Side Shelf Right	\$260
SSB	Both Left & Right Side Shelves	\$520

### 10. CASTORS OR LEVELERS

Code	Description	Price
CT4	4.5" Castors	\$ 0
PCT4	4.5" Premium Castors	\$210
LL	Levelers	\$111

# PM Podium Series

## INTERIOR OPTIONS

### 11. ADJUSTABLE SHELVES

Code	Description	Price
NAS	No Adjustable Shelves	\$ 0
AS	Adjustable Shelves	\$130

You cannot order Adjustable Shelves with rack rails

### 12. KEYBOARD PULL OUT SHELF

Code	Description	Price
KB	Keyboard Pull Out Shelf	\$ 0
NKB	No Keyboard Pull out shelves	\$270

## ACCESSORIES & CUSTOMIZATION

### 13. HARDWARE

Code	Description	Price
MIC	Gooseneck microphone	\$953
HL	High intensity gooseneck light	\$260
LCDM	LCD Monitor Vesa Mount	\$360
LCDM2	LCD Monitor Vesa Dual Mount	\$637

If selecting multiple hardware options, please note you may only select one Monitor Mount.

### 14. POWER

You may select multiple power options

Code	Description	Price
PB	Power Bar	\$120
PBR	Power Bar Rack	\$260
AC4USB	AC4 Plus USB Chargers	\$210
CWG2	Lap top connection	\$667

### 15. FANS

Code	Description	Price
QF1	Quiet Fan - 1PK	\$200
QF2	Quiet Fan - 2PK	\$400
TF1	Thermo Fan - 1PK	\$270
TF2	Thermo Fan - 2PK	\$540

### 16. VENTILATION PANELS

You may select multiple ventilation panels

Code	Description	Price
V15SV	Vent Panel 3.5" X 15" – in Silver Color	\$110
V15BL	Vent Panel 3.5" X 15" – in Black Color	\$110
V15WH	Vent Panel 3.5" X 15" – in White Color	\$110
V19SV	Vent Panel 3.5" X 19" – in Silver Color	\$110
V19BL	Vent Panel 3.5" X 19" – in Black Color	\$110
V19WH	Vent Panel 3.5" X 19" – in White Color	\$110

Ventilation panel location is determined by engineering for maximum circulation of air flow.

### EGANINK

Specify EganINK on EVS, Glass, and acoustic/tackable materials. Please reach to our team for an EganINK quote with your custom art file.

### CUT OUT

Additional CUT OUTs are \$150. Please reach out to our team to specify location.

### ENGRAVINGS

Please reach to our team for an Engraving quote with your custom art file.

### HOW TO ORDER

**PM432 BW FR12 SWS FD FLD LK FSD SSB**

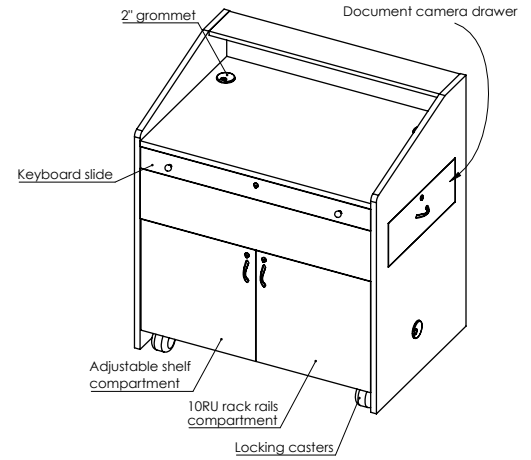
1. Product Code    2. Body Finish    3. Rack Rails    4. Work Surface    5. Dash    6. Door    7. Locks    8. Drawers    9. Side Shelf

**CT4 KB MIC HL PB QF1 V15SV**

10. Castors/Levelers    11. Keyboard Slide    13. Hardware    14. Power    15. Fans    16. Ventilation Panels

# PM500 Podium

Exterior or Interior	Feature	Feature Included
<b>Podium Finish</b>	Body Finish	Standard laminates with matching edge banding
<b>Interior Racking Options</b>	Front Rack Rails	Includes two Front Rack rails – 10RU, in both compartments.
<b>Interior Options</b>	Keyboard	Keyboard Pull Out shelf
<b>Exterior Options</b>	Work Surface	Flat Work Surface
	Front Door	Front Locking Door
	Rear Access Panel	Rear Locking Access Door
	Side Document Camera Drawer	Large locking pull-out side drawer suitable for document cameras or projectors
	Casters	4.5" Castors – 2 locking and 2 non-locking castors



## 1. PRODUCT CODE

Code	Dimensions	Price
<b>PM500</b>	48-7/8" W x 44-3/4"H x 30"D	\$5,510

## 2. BODY FINISH

### LAMINATES

Code	Description	Code	Description
<b>BW</b>	459-58 Brite White	<b>ST</b>	9319-BH Stainless
<b>BLK</b>	909-58 Black	<b>AB</b>	5784 Ashwood Bone
<b>BF</b>	8916-58 Blackened Fiberwood	<b>WWB</b>	6372 Whitewashed Birchply
<b>CO</b>	9374-43 Cocoa Oak	<b>SC</b>	7759-43 Select Cherry
<b>HW</b>	5788 Hazel Walnut	<b>NM</b>	9236-43 Noble Mahogany
<b>BE</b>	5793 Buff Elm	<b>CM</b>	7738-58 Cognac Maple
<b>PG</b>	902-58 Platinum Grey	<b>SM</b>	9237-58 Sand Maple
<b>GG</b>	9300-58 Gray Grafix	<b>HPL</b>	Custom High-Pressure Laminate
<b>CH</b>	8955-43 Cinnamon Cherry		

### CUSTOM LAMINATES

Code	Supplier & Laminate Code	Price Upcharge
<b>FO##</b>	Formica - TBD	\$500
<b>WA##</b>	Wilson Art- TBD	
<b>PI##</b>	Pionite- TBD	
<b>NE##</b>	Nevamar- TBD	
<b>AR##</b>	Arborite- TBD	
Insert specific laminate code in place of ##		

For specialty compact laminates please call us at 1-800-263-2387 or email us at customerservice@egan.com

### WOOD STAINS

Standard veneer substrate is maple.

Code	Description	Price Upcharge
<b>HS</b>	Haystack	\$3,310
<b>WL</b>	Woodland	
<b>DW</b>	Driftwood	
<b>BB</b>	Barnboard	
<b>CB</b>	Carbon	
<b>NA</b>	Natural	
<b>CS</b>	Custom Stain	Call for Quote

**Rack Rails, Interior & Exterior Options on Next Page**

# PM500 Podium

## RACK RAIL OPTIONS

### 3 (A). FRONT RACK RAILS

Front Rack Rails			Rack Size Impact Other Podium Options						
Code	Rack Rail	Availability	Front Door (Style determined by Rack Rail sizing)	Front Panel	Doc Drawers	Keyboard	Adjustable Shelves	Castors	Price
FR10	10RU	Available	Included	Included	Available	Included	Not Available	Included	\$ 0
FR12	12RU	Not Included	Included	Not Available	Not Available	Included	Not Available	Included	\$150

### 3 (B). REAR RACK RAILS

Rear Rack Rails			Rack Size Impact Other Podium Options						
Code	Rack Rail	Availability	Front Door (Style determined by Rack Rail sizing)	Front Panel	Drawers	Keyboard	Adjustable Shelves	Castors	Price
RR10	10RU	Available	Included	Included	Available	Included	Not Available	Included	\$140
RR12	12RU	Not Included	Included	Not Available	Not Available	Included	Not Available	Included	\$150

## EXTERIOR OPTIONS

### 4. WORK SURFACE

Code	Description	Price
FWS	Flat Work Surface	\$ 0
SWS	Sloped Work Surface	\$296

### 5. DASH

Code	Description	Price
FD	Full Dash	\$420
PD	Partial Dash	\$360

### 6. FRONT DOOR

Code	Description	Price
FLD	Front Locking Door	\$ 0
NFD	No Solid Front Door	\$ 0

### 7. LOCKS

Code	Description	Price
LK	Locks	\$ 0
NLK	No Locks	\$ 0
COM	Custom Lock	Call for Quote

### 8. DRAWERS

Code	Description	Price
DCDL	Side Document Camera Drawer - left	\$450
DCDR	Side Document Camera Drawer - right	\$ 0
FSD	Front Storage Drawer	\$300

For custom order lock requests please call us at 1-800-263-2387 or email us at customerservice@egan.com

### 9. SIDE SHELF

Code	Description	Price
SSL	Side Shelf Left	\$260
SSR	Side Shelf Right	\$260
SSB	Both Left & Right Side Shelves	\$520

### 10. CASTORS OR LEVELERS

Code	Description	Price
CT4	4.5" Castors	\$ 0
PCT4	4.5" Premium Castors	\$210
LL	Levelers	\$111

# PM500 Podium

## INTERIOR OPTIONS

### 11. ADJUSTABLE SHELVES

Code	Description	Price
NAS	No Adjustable Shelves	\$ 0
AS	Adjustable Shelves	\$130

You cannot order Adjustable Shelves with rack rails

### 12. KEYBOARD PULL OUT SHELF

Code	Description	Price
KB	Keyboard Pull out shelf	\$ 0
NKB	No Keyboard Pull out shelves	\$ 0

## ACCESSORIES & CUSTOMIZATION

### 13. HARDWARE

Code	Description	Price
MIC	Gooseneck microphone	\$953
HL	High intensity gooseneck light	\$260
LCDM	LCD Monitor Vesa Mount	\$360
LCDM2	LCD Monitor Vesa Dual Mount	\$637

If selecting multiple hardware options, please note you may only select one Monitor Mount.

### 14. POWER

You may select multiple power options

Code	Description	Price
PB	Power Bar	\$120
PBR	Power Bar Rack	\$260
AC4USB	AC4 Plus USB Chargers	\$210
CWG2	Lap top connection	\$667

### 16. VENTILATION PANELS

You may select multiple ventilation panels

Code	Description	Price
V15SV	Vent Panel 3.5" X 15" – in Silver Color	\$110
V15BL	Vent Panel 3.5" X 15" – in Black Color	\$110
V15WH	Vent Panel 3.5" X 15" – in White Color	\$110
V19SV	Vent Panel 3.5" X 19" – in Silver Color	\$110
V19BL	Vent Panel 3.5" X 19" – in Black Color	\$110
V19WH	Vent Panel 3.5" X 19" – in White Color	\$110

Ventilation panel location is determined by engineering for maximum circulation of air flow.

### EGANINK

Specify EganINK on EVS, Glass, and acoustic/tackable materials. Please reach to our team for an EganINK quote with your custom art file.

### CUT OUT

Additional CUT OUTs are \$150. Please reach out to our team to specify location.

### ENGRAVINGS

Please reach to our team for an Engraving quote with your custom art file.

### HOW TO ORDER

**PM500 BW FR10 SWS FD FD LK FSD SSB**

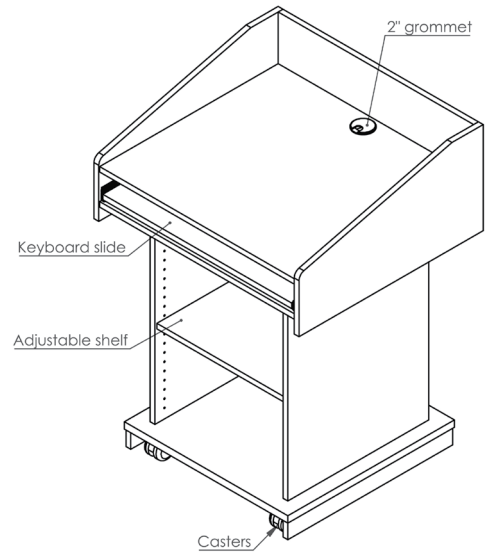
1. Product Code    2. Body Finish    3. Rack Rails    4. Work Surface    5. Dash    6. Front Door    7. Locks    8. Drawers    9. Side Shelf

**CT4 KB MIC HL PB QF1 V15SV**

10. Castors/Levelers    12. Keyboard Slide    13. Hardware    14. Power    15. Fans    16. Ventilation Panels

# PM900 Podium

Exterior or Interior	Feature	Feature Included
<b>Podium Finish</b>	Body Finish	Standard laminates with matching edge banding
<b>Interior Racking Options</b>	Front Rack Rails	Includes Front Rack Rails - 14RU with front panel and 16RU without Front panel
<b>Interior Options</b>	Keyboard	Keyboard Pull Out shelf
	Cable Management	Grommets included on top, adjustable shelf, and bottom
<b>Exterior Options</b>	Work Surface	Flat Work Surface
	Front Door	Front Locking Door
	Castors	3.5" Castors – 2 locking and 2 non-locking castors



## 1. PRODUCT CODE

Code	Dimensions	Price
<b>PM900</b>	32" W x 45-3/8"H x 28"D	\$2,590

## 2. BODY FINISH

### LAMINATES

Code	Description	Code	Description
<b>BW</b>	459-58 Brite White	<b>ST</b>	9319-BH Stainless
<b>BLK</b>	909-58 Black	<b>AB</b>	5784 Ashwood Bone
<b>BF</b>	8916-58 Blackened Fiberwood	<b>WWB</b>	6372 Whitewashed Birchply
<b>CO</b>	9374-43 Cocoa Oak	<b>SC</b>	7759-43 Select Cherry
<b>HW</b>	5788 Hazel Walnut	<b>NM</b>	9236-43 Noble Mahogany
<b>BE</b>	5793 Buff Elm	<b>CM</b>	7738-58 Cognac Maple
<b>PG</b>	902-58 Platinum Grey	<b>SM</b>	9237-58 Sand Maple
<b>GG</b>	9300-58 Gray Grafix	<b>HPL</b>	Custom High-Pressure Laminate
<b>CH</b>	8955-43 Cinnamon Cherry		

### CUSTOM LAMINATES

Code	Supplier & Laminate Code	Price Upcharge
<b>FO##</b>	Formica - TBD	\$300
<b>WA##</b>	Wilson Art- TBD	
<b>PI##</b>	Pionite- TBD	
<b>NE##</b>	Nevamar- TBD	
<b>AR##</b>	Arborite- TBD	
Insert specific laminate code in place of ##		

For specialty compact laminates please call us at 1-800-263-2387 or email us at customerservice@egan.com

### WOOD STAINS

Standard veneer substrate is maple.

Code	Description	Price Upcharge
<b>HS</b>	Haystack	\$2,060
<b>WL</b>	Woodland	
<b>DW</b>	Driftwood	
<b>BB</b>	Barnboard	
<b>CB</b>	Carbon	
<b>NA</b>	Natural	Call for Quote
<b>CS</b>	Custom Stain	

**Rack Rails, Interior & Exterior Options on Next Page**



# PM900 Podium

## RACK RAIL OPTIONS

### 3 (A). FRONT RACK RAILS

Front Rack Rails			Rack Size Impact Other Podium Options						
Code	Rack Rail	Availability	Front Door (Style determined by Rack Rail sizing)	Front Panel	Drawers	Keyboard	Adjustable Shelves	Castors	Price
FR14	14RU	Available	Available	Included	Available	Included	Not Available	Included	\$ 0
FR16	16RU	Available	Available	Not Available	Available	Included	Not Available	Included	\$170

### 3 (B). REAR RACK RAILS

Rear Rack Rails			Rack Size Impact Other Podium Options						
Code	Rack Rail	Availability	Front Door (Style determined by Rack Rail sizing)	Front Panel	Drawers	Keyboard	Adjustable Shelves	Castors	Price
RR14	14RU	Available	Available	Included	Available	Included	Not Available	Included	\$160
RR16	16RU	Available	Available	Not Available	Available	Included	Not Available	Included	\$170

## EXTERIOR OPTIONS

### 4. DASH

Code	Description	Price
FD	Full Dash	\$420
PD	Partial Dash	\$360

### 5. DOOR

Code	Description	Price
FLD	Front Locking Door	\$ 0
ND	No Door	\$ 0

### 6. REAR ACCESS PANEL

Code	Description	Price
RAP	Removable Rear Access panel	\$270

### 7. LOCKS

Code	Description	Price
LK	Locks	\$ 0
NLK	No Locks	\$ 0
COM	Custom Locks	Call for Quote

For custom order lock requests please call us at 1-800-263-2387 or email us at [customerservice@egan.com](mailto:customerservice@egan.com)

### 8. DRAWERS

Code	Description	Price
FSD	Front Storage Drawer	\$ 0

### 10. CASTORS OR LEVELERS

Code	Description	Price
PCT3	3.5" Premium Castors	\$ 0
LL	Levelers	\$111

### 9. SIDE SHELF

Code	Description	Price
SSL	Side Shelf Left	\$260
SSR	Side Shelf Right	\$260
SSB	Both Left & Right Side Shelves	\$520

## INTERIOR OPTIONS

### 11. ADJUSTABLE SHELVES

Code	Description	Price
NAS	No Adjustable Shelves	\$ 0
AS	Adjustable Shelves	\$130

You cannot order Adjustable Shelves with rack rails

### 12. KEYBOARD PULL OUT SHELF

Code	Description	Price
KB	Keyboard Pull Out Shelf	\$ 0
NKB	No Keyboard Pull Out Shelf	\$ 0

# PM900 Podium

## ACCESSORIES & CUSTOMIZATION

### 13. HARDWARE

Code	Description	Price
<b>MIC</b>	Gooseneck microphone	\$953
<b>HL</b>	High intensity gooseneck light	\$260
<b>LCDM</b>	LCD Monitor Vesa Mount	\$360
<b>LCDM2</b>	LCD Monitor Vesa Dual Mount	\$637

If selecting multiple hardware options, please note you may only select one Monitor Mount.

### 15. FANS

Code	Description	Price
<b>QF1</b>	Quiet Fan - 1PK	\$200
<b>QF2</b>	Quiet Fan - 2PK	\$400
<b>TF1</b>	Thermo Fan - 1PK	\$270
<b>TF2</b>	Thermo Fan - 2PK	\$540

### 14. POWER

You may select multiple power options

Code	Description	Price
<b>PB</b>	Power Bar	\$120
<b>PBR</b>	Power Bar Rack	\$260
<b>AC4USB</b>	AC4 Plus USB Chargers	\$210
<b>CWG2</b>	Lap top connection	\$637

### 16. VENTILATION PANELS

You may select multiple ventilation panels

Code	Description	Price
<b>V15SV</b>	Vent Panel 3.5" X 15" – in Silver Color	\$110
<b>V15BL</b>	Vent Panel 3.5" X 15" – in Black Color	\$110
<b>V15WH</b>	Vent Panel 3.5" X 15" – in White Color	\$110
<b>V19SV</b>	Vent Panel 3.5" X 19" – in Silver Color	\$110
<b>V19BL</b>	Vent Panel 3.5" X 19" – in Black Color	\$110
<b>V19WH</b>	Vent Panel 3.5" X 19" – in White Color	\$110

Ventilation panel location is determined by engineering for maximum circulation of air flow.

### EGANINK

Specify EganINK on EVS, Glass, and acoustic/tackable materials. Please reach to our team for an EganINK quote with your custom art file.

### CUT OUT

Additional CUT OUTs are \$150. Please reach out to our team to specify location.

### ENGRAVINGS

Please reach to our team for an Engraving quote with your custom art file.

### HOW TO ORDER

**PM900 BW FR14 FD FLD RAP LK FSD SSB**

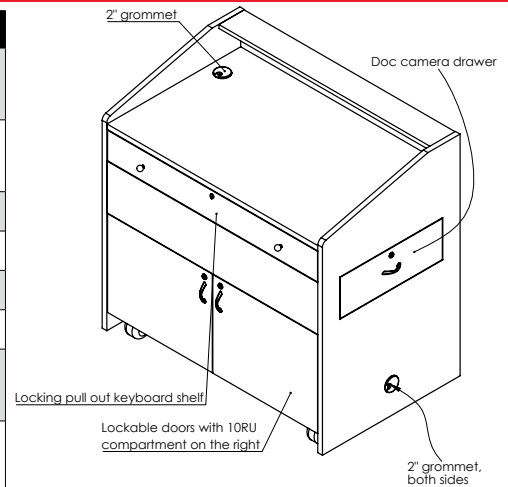
1. Product Code      2. Body Finish      3. Rack Rails      4. Dash      5. Front Door      6. Rear Access Panel      7. Locks      8. Drawers      9. Side Shelf

**LL KB MIC HL PB QF1 V15SV**

10. Castors/Levelers      12. Keyboard Slide      13. Hardware      14. Power      15. Fans      16. Ventilation Panels

# PM4800 Podium

Exterior or Interior	Feature	Feature Included
<b>Podium Finish</b>	Body Finish	Standard laminates with matching edge banding
<b>Interior Racking Options</b>	Front Rack Rails	Includes two Front Rack rails – 10RU, in both compartments.
<b>Interior Options</b>	Keyboard	Keyboard Pull Out shelf
<b>Exterior Options</b>	Work Surface	Flat Work Surface
	Front Door	Front Locking Door
	Rear Access Door	Rear Locking Access Door
	Side Document Camera Drawer	Large locking pull-out side drawer suitable for document cameras or projectors
	Casters	4.5" Castors – 2 locking and 2 non-locking castors



## 1. PRODUCT CODE

Code	Dimensions	Price
<b>PM4800</b>	42-7/8" W x 44-3/4"H x 30"	\$6,640

## 2. BODY FINISH

### LAMINATES

Code	Description	Code	Description
<b>BW</b>	459-58 Brite White	<b>ST</b>	9319-BH Stainless
<b>BLK</b>	909-58 Black	<b>AB</b>	5784 Ashwood Bone
<b>BF</b>	8916-58 Blackened Fiberwood	<b>WWB</b>	6372 Whitewashed Birchply
<b>CO</b>	9374-43 Cocoa Oak	<b>SC</b>	7759-43 Select Cherry
<b>HW</b>	5788 Hazel Walnut	<b>NM</b>	9236-43 Noble Mahogany
<b>BE</b>	5793 Buff Elm	<b>CM</b>	7738-58 Cognac Maple
<b>PG</b>	902-58 Platinum Grey	<b>SM</b>	9237-58 Sand Maple
<b>GG</b>	9300-58 Gray Grafix	<b>HPL</b>	Custom High-Pressure Laminate
<b>CH</b>	8955-43 Cinnamon Cherry		

### CUSTOM LAMINATES

Code	Supplier & Laminate Code	Price Upcharge
<b>FO##</b>	Formica - TBD	\$600
<b>WA##</b>	Wilson Art- TBD	
<b>PI##</b>	Pionite- TBD	
<b>NE##</b>	Nevamar- TBD	
<b>AR##</b>	Arborite- TBD	
Insert specific laminate code in place of ##		

For specialty compact laminates please call us at 1-800-263-2387 or email us at customerservice@egan.com

### WOOD STAINS

Standard veneer substrate is maple.

Code	Description	Price Upcharge
<b>HS</b>	Haystack	\$2,900
<b>WL</b>	Woodland	
<b>DW</b>	Driftwood	
<b>BB</b>	Barnboard	
<b>CB</b>	Carbon	
<b>NA</b>	Natural	
<b>CS</b>	Custom Stain	Call for Quote

**Rack Rails, Interior & Exterior Options on Next Page**

# PM4800 Podium

## RACK RAIL OPTIONS

### 3 (A). FRONT RACK RAILS

Front Rack Rails			Rack Size Impact Other Podium Options						
Code	Rack Rail	Availability	Front Door (Style determined by Rack Rail sizing)	Front Panel	Doc Drawers	Keyboard	Adjustable Shelves	Castors	Price
FR10	10RU	Included	Small Size Front & Rear Door	Included	Available	Included	Not Available	Included	\$ 0
FR12	12RU	Available	Included	Not Available	Not Available	Included	Not Available	Included	\$150

### 3 (B). REAR RACK RAILS

Rear Rack Rails			Rack Size Impact Other Podium Options						
Code	Rack Rail	Availability	Front Door (Style determined by Rack Rail sizing)	Front Panel	Drawers	Keyboard	Adjustable Shelves	Castors	Price
RR10	10RU	Available	Small Size Front & Rear Door	Included	Available	Included	Not Available	Included	\$ 0
RR12	12RU	Available	Included	Not Available	Not Available	Included	Not Available	Included	\$150

## EXTERIOR OPTIONS

### 4. WORK SURFACE

Code	Description	Price
FWS	Flat Work Surface	\$ 0
SWS	Sloped Work Surface	\$296

### 5. DASH

Code	Description	Price
FD	Full Dash	\$420
PD	Partial Dash	\$360

### 6. FRONT DOOR

Code	Description	Price
FLD	Front Locking Door	\$ 0
NFD	No Solid Front Door	\$ 0

### 7 LOCKS

Code	Description	Price
LK	Locks	\$ 0
NLK	No Locks	\$ 0
COM	Custom Locks	Call for Quote

### 8. DRAWERS

Code	Description	Price
DCDL	Side Document Camera Drawer - left	\$450
DCDR	Side Document Camera Drawer - right	\$ 0
FSD	Front Storage Drawer	\$520

For custom order lock requests please call us at 1-800-263-2387 or email us at [customerservice@egan.com](mailto:customerservice@egan.com)

### 9. SIDE SHELF

Code	Description	Price
SSL	Side Shelf Left	\$260
SSR	Side Shelf Right	\$260
SSB	Both Left & Right Side Shelves	\$520

### 10. CASTORS OR LEVELERS

Code	Description	Price
CT4	4.5" Castors	\$ 0
PCT4	4.5" Premium Castors	\$210
LL	Levelers	\$111

# PM4800 Podium

## INTERIOR OPTIONS

### 11. ADJUSTABLE SHELVES

Code	Description	Price
NAS	No Adjustable Shelves	\$ 0
AS	Adjustable Shelves	\$130

You cannot order Adjustable Shelves with rack rails

### 12. KEYBOARD PULL OUT SHELF

Code	Description	Price
KB	Keyboard Pull Out Shelf	\$ 0
NKB	No Keyboard Pull Out Shelves	\$ 0

## ACCESSORIES & CUSTOMIZATION

### 13. HARDWARE

Code	Description	Price
MIC	Gooseneck microphone	\$953
HL	High intensity gooseneck light	\$260
LCDM	LCD Monitor Vesa Mount	\$360
LCDM2	LCD Monitor Vesa Dual Mount	\$637

If selecting multiple hardware options, please note you may only select one Monitor Mount.

### 14. POWER

You may select multiple power options

Code	Description	Price
PB	Power Bar	\$120
PBR	Power Bar Rack	\$260
AC4USB	AC4 Plus USB Chargers	\$210
CWG2	Lap top connection	\$667

### 15. FANS

Code	Description	Price
QF1	Quiet Fan - 1PK	\$200
QF2	Quiet Fan - 2PK	\$400
TF1	Thermo Fan - 1PK	\$270
TF2	Thermo Fan - 2PK	\$540

### 16. VENTILATION PANELS

You may select multiple ventilation panels

Code	Description	Price
V15SV	Vent Panel 3.5" X 15" – in Silver Color	\$110
V15BL	Vent Panel 3.5" X 15" – in Black Color	\$110
V15WH	Vent Panel 3.5" X 15" – in White Color	\$110
V19SV	Vent Panel 3.5" X 19" – in Silver Color	\$110
V19BL	Vent Panel 3.5" X 19" – in Black Color	\$110
V19WH	Vent Panel 3.5" X 19" – in White Color	\$110

Ventilation panel location is determined by engineering for maximum circulation of air flow.

### EGANINK

Specify EganINK on EVS, Glass, and acoustic/tackable materials. Please reach to our team for an EganINK quote with your custom art file.

### CUT OUT

Additional CUT OUTS are \$150. Please reach out to our team to specify location.

### ENGRAVINGS

Please reach to our team for an Engraving quote with your custom art file.

### HOW TO ORDER

**PM4800 BW FR10 SWS FD FLD LK FSD SSB**

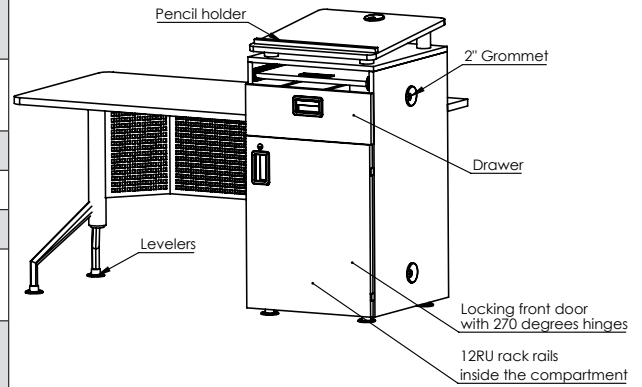
1. Product Code      2. Body Finish      3. Rack Rails      4. Work Surface      5. Dash      6. Front Door      7. Locks      8. Drawers      9. Side Shelf

**CT4 AS KB MIC HL PB QF1 V15SV**

10. Castors/Levelers      11. Adjustable Shelf      12. Keyboard Slide      13. Hardware      14. Power      15. Fans      16. Ventilation Panels

# PMT100 Podium Desk Combination

Exterior or Interior	Feature	Feature Included
<b>Podium Finish</b>	Body Finish	Standard laminates with matching edge banding
<b>Interior Racking Options</b>	Front Rack Rails	Includes Front Rack rails – 13RU
<b>Interior Options</b>	Keyboard	Keyboard pull out shelf
	Drawer	Front Storage Drawer
<b>Exterior Options</b>	Podium Work Surface	Sloped Work Surface
	Podium Door	Front Locking Door with 270-degree hinge
	Rear Access Panel	Removable rear access panel with large vent.
	Metal Components Color	Metal Screen with Leg Support, Podium Surface Top Stanchions, and Rear Access Panel, can order in Silver, White and Black
	Levelers	Adjustable Levelers



## 1. PRODUCT CODE

Code	Description	Price
<b>PMT100</b>	58-1/2" W x 41-5/8"H x 28"D	\$4,560
<b>PMT100-69</b>	68-3/4"X41-5/8"Hx28"D	\$4,987

## 2. PODIUM ORIENTATION

Code	Description	Feature Included
<b>LS</b>	Podium Left Side	Podium is on the left side of desk
<b>RS</b>	Podium Right Side	Podium is on right side of desk

## 3. BODY FINISH

### LAMINATES

Code	Description	Code	Description
<b>BW</b>	459-58 Brite White	<b>ST</b>	9319-BH Stainless
<b>BLK</b>	909-58 Black	<b>AB</b>	5784 Ashwood Bone
<b>BF</b>	8916-58 Blackened Fiberwood	<b>WWB</b>	6372 Whitewashed Birchply
<b>CO</b>	9374-43 Cocoa Oak	<b>SC</b>	7759-43 Select Cherry
<b>HW</b>	5788 Hazel Walnut	<b>NM</b>	9236-43 Noble Mahogany
<b>BE</b>	5793 Buff Elm	<b>CM</b>	7738-58 Cognac Maple
<b>PG</b>	902-58 Platinum Grey	<b>SM</b>	9237-58 Sand Maple
<b>GG</b>	9300-58 Gray Grafix	<b>HPL</b>	Custom High-Pressure Laminate
<b>CH</b>	8955-43 Cinnamon Cherry		

### CUSTOM LAMINATES

Code	Supplier & Laminate Code	Price
<b>FO##</b>	Formica - TBD	Call for Quote
<b>WA##</b>	Wilson Art- TBD	
<b>PI##</b>	Pionite- TBD	
<b>NE##</b>	Nevamar- TBD	
<b>AR##</b>	Arborite- TBD	
Insert specific laminate code in place of ##		

For specialty compact laminates please call us at 1-800-263-2387 or email us at customerservice@egan.com

### WOOD STAINS

Standard veneer substrate is maple.

Code	Description	Price
<b>HS</b>	Haystack	Call for Quote
<b>WL</b>	Woodland	
<b>DW</b>	Driftwood	
<b>BB</b>	Barnboard	
<b>CB</b>	Carbon	
<b>NA</b>	Natural	
<b>CS</b>	Custom Stain	

# PMT100 Podium Desk Combination

## 4. METAL COMPONENTS COLORS

Code	Description
SV	Silver
BL	Black
Wh	White

Podium top Stanchions  
Podium Rear Access Panel  
Perforated Modesty Screen & Legs

## INTERIOR RACKING OPTIONS

### 5 (a). FRONT RACK RAILS

Front Rack Rails			Rack Size Impact Other Podium Options						
Code	Rack Rail	Availability	Front Door (Style determined by Rack Rail sizing)	Front Panel	Doc Drawers	Keyboard	Adjustable Shelves	Castors	Price
FR13	13RU	Standard	Included	Not Available	Available	Included	Not Available	Included	\$ 0
FR15	15RU	Available	Included	Not Available	Not Available	Included	Not Available	Included	\$160
FR16	16RU	Available	Included	Not Available	Not Available	Not Available	Not Available	Included	\$170

### 5 (b). REAR RACK RAILS

Rear Rack Rails			Rack Size Impact Other Podium Options						
Code	Rack Rail	Availability	Front Door (Style determined by Rack Rail sizing)	Front Panel	Doc Drawers	Keyboard	Adjustable Shelves	Castors	Price
RR13	13RU	Standard	Included	Not Available	Available	Included	Not Available	Included	\$ 0
RR15	15RU	Available	Included	Not Available	Not Available	Included	Not Available	Included	\$160
RR16	16RU	Available	Included	Not Available	Not Available	Not Available	Not Available	Included	\$170

## EXTERIOR OPTIONS

### 6. DASH

Code	Description	Price
CPH	Control Panel Housing	\$420

### 7. DOOR

Code	Description	Price
FLD	Front Locking Door	\$ 0
NSFD	No Front Door	\$ 0

### 8. LOCKS

Code	Description	Price
LK	Locks	\$ 0
NLK	No Locks	\$ 0
COM	Custom Locks	Call for Quote

For custom order lock requests please call us at 1-800-263-2387 or email us at customerservice@egan.com

### 9. SIDE SHELF

Code	Description	Price
SSL	Side Shelf Left	\$260
SSR	Side Shelf Right	\$260

### 10. CASTORS OR LEVELERS

Code	Description	Price
LL	Levelers	\$ 0
CT2	2.5" Casters – 6 Castors	\$130

## INTERIOR OPTIONS

### 11. ADJUSTABLE SHELVES

Code	Description	Price
AS	Adjustable Shelves	\$130

You cannot order Adjustable Shelves with rack rails

### 12. KEYBOARD PULL OUT SHELF

Code	Description	Price
KB	Keyboard Pull Out Shelf	\$ 0
NKB	No Keyboard Pull Out Shelves	\$ 0

# PMT100 Podium Desk Combination

## ACCESSORIES & CUSTOMIZATIONS

### 13. HARDWARE

You may select multiple power options

Code	Description	Price
<b>MIC</b>	Gooseneck microphone	\$953
<b>HL</b>	High intensity gooseneck light	\$260
<b>LCDM</b>	LCD Monitor Vesa Mount	\$360

### 13. POWER

You may select multiple power options

Code	Description	Price
<b>PB</b>	Power Bar	\$120
<b>PBR</b>	Power Bar Rack	\$260
<b>AC4USB</b>	AC4 Plus USB Chargers	\$210
<b>CWG2</b>	Lap top connection	\$667

### 14. FANS

Code	Description	Price
<b>QF1</b>	Quiet Fan - 1PK	\$200
<b>QF2</b>	Quiet Fan - 2PK	\$400
<b>TF1</b>	Thermo Fan - 1PK	\$270
<b>TF2</b>	Thermo Fan - 2PK	\$540

### 15. VENTILATION PANELS

You may select multiple ventilation panels

Code	Description	Price
<b>V3X15SV</b>	Vent Panel 3.5" X 15" – in Silver Color	\$110
<b>V3X15BL</b>	Vent Panel 3.5" X 15" – in Black Color	\$110
<b>V3X15WH</b>	Vent Panel 3.5" X 15" – in White Color	\$110
<b>V3X19SV</b>	Vent Panel 3.5" X 19" – in Silver Color	\$110
<b>V3X19BL</b>	Vent Panel 3.5" X 19" – in Black Color	\$110
<b>V3X19WH</b>	Vent Panel 3.5" X 19" – in White Color	\$110

Ventilation panel location is determined by engineering for maximum circulation of air flow.

### EGANINK

Specify EganINK on EVS, Glass, and acoustic/tackable materials. Please reach to our team for an EganINK quote with your custom art file.

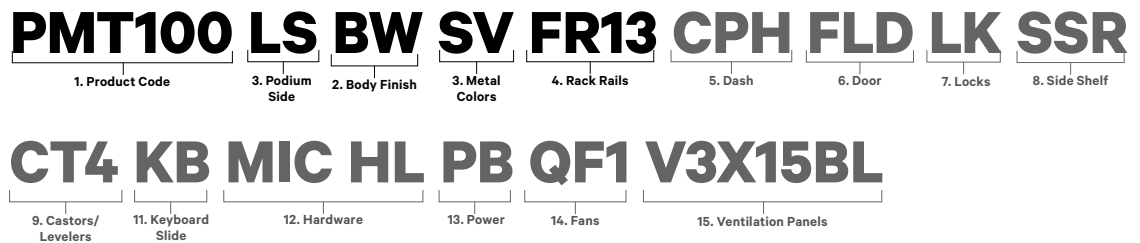
### CUT OUT

Additional CUT OUTS are \$150. Please reach out to our team to specify location.

### ENGRAVINGS

Please reach to our team for an Engraving quote with your custom art file.

### HOW TO ORDER





**EGAN**

AV Furniture

## Height Adjustable Desks

### ■ Height Adjustable Desks

---

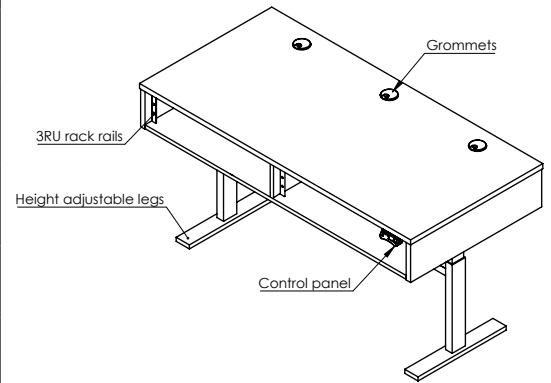
- DS700
- DS740
- DS780
- DS800
- DS900 RACK
- DS950 RACK
- DS3040
- LT3060
- MPD26EATX-12
- MPD30EATX SERIES
- MPD3048

HEIGHT  
ADJUSTABLE DESK

**BUILT  
TO INSPIRE**

# DS700 Height Adjustable Desk

Exterior or Interior	Feature	Feature Included
<b>Worksurface &amp; Rack Cabinet Finish</b>	Worksurface & Rack	Standard laminates with matching edge banding
	Cabinet Finish	
<b>Interior Options</b>	Compartments	2 Compartments (DS-700-47) 3 Compartments (DS-700-60)
	Vents	3 Vents included (DS-700-47) 5 Vents included (DS-700-60)
<b>Interior Racking Options</b>	Front Rack Rails	DS-700-47 (2 x 3RU Front Rack Rails) DS-700-60 (3 X 3RU Front Rack Rails)
<b>Exterior Options</b>	Work Surface Shape	Flat Rectangular Work Surface
	Height Adjustable Table	From 29" to 42"
	Castors & Levelers	Levelers



Height Adjustable Tables & Desks

## 1. PRODUCT CODE

Code	Feature	Price
<b>DS700-60</b>	61-1/2" W x 30" to 42"H range x 30"D	\$4,469
<b>DS700-47</b>	47" W x 30" to 42"H range x 30"D	\$3,975

## 2. WORK SURFACE & RACK CABINET SURFACE FINISH

### LAMINATES

Code	Description	Code	Description
<b>BW</b>	459-58 Brite White	<b>ST</b>	9319-BH Stainless
<b>BLK</b>	909-58 Black	<b>AB</b>	5784 Ashwood Bone
<b>BF</b>	8916-58 Blackened Fiberwood	<b>WWB</b>	6372 Whitewashed Birchply
<b>CO</b>	9374-43 Cocoa Oak	<b>SC</b>	7759-43 Select Cherry
<b>HW</b>	5788 Hazel Walnut	<b>NM</b>	9236-43 Noble Mahogany
<b>BE</b>	5793 Buff Elm	<b>CM</b>	7738-58 Cognac Maple
<b>PG</b>	902-58 Platinum Grey	<b>SM</b>	9237-58 Sand Maple
<b>GG</b>	9300-58 Gray Grafix	<b>HPL</b>	Custom High-Pressure Laminate
<b>CH</b>	8955-43 Cinnamon Cherry		

### CUSTOM LAMINATES

Code	Supplier & Laminate Code	Price
<b>FO##</b>	Formica - TBD	Call for Quote
<b>WA##</b>	Wilson Art- TBD	
<b>PI##</b>	Pionite- TBD	
<b>NE##</b>	Nevamar- TBD	
<b>AR##</b>	Arborite- TBD	
Insert specific laminate code in place of ##		

For specialty compact laminates please call us at 1-800-263-2387 or email us at customerservice@egan.com

### WOOD STAINS

Standard veneer substrate is maple.

Code	Description	Price
<b>HS</b>	Haystack	Call for Quote
<b>WL</b>	Woodland	
<b>DW</b>	Driftwood	
<b>BB</b>	Barnboard	
<b>CB</b>	Carbon	
<b>NA</b>	Natural	
<b>CS</b>	Custom Stain	

# DS700 Height Adjustable Desk

### 3. LINAK LIFT COLOR

Code	Description
GR	Grey
BL	Black
WH	White

## RACK RAIL OPTIONS

### 4 (A). FRONT RACK RAILS

Front Rack Rails		Rack Size Impact Other Options		
Code	Rack Rail	Availability	Drawers	Keyboard
FR3	3RU	Included	Not Available	Not Available

### 4 (B). REAR RACK RAILS

Rear Rack Rails		Rack Size Impact Other Podium Options		
Code	Rack Rail	Availability	Drawers	Keyboard
RR3	3RU	Included	Not Available	Not Available

## WORK SURFACE OPTIONS

### 5. DASH

Code	Description	Price
CPH	Control Power Housing	\$420

### 6. PRIVACY SCREEN

Code	Description	Price
PS	Privacy Screen	\$300

### 7. MODESTY PANEL

Code	Description	Price
HMP	Half Modesty Panel	\$400
FMP	Full Modesty Panel	\$600

### 8. CASTORS OR LEVELERS

Code	Description	Price
LL	Levelers	\$ 0
CT2	2.5" Castors	\$130

## INTERIOR OPTIONS - COMPARTMENTS

### 9 (a). KEYBOARD PULL OUT SHELF

Code	Description	Price
KB	Keyboard Pull Out Shelf	\$270

### 9 (b). KEYBOARD LOCATION

Code	Description
L	Keyboard pull out shelf - Left
C	Keyboard pull out shelf - Center
R	Keyboard pull out shelf - Right

You may select multiple power options

# DS700 Height Adjustable Desk

## 10 (a). DRAWERS

Code	Description	Price
FSD	Front Storage Drawer	\$300

## 10 (b). DRAWERS

You may select multiple power options

Code	Description
L	Drawer pull out shelf - Left
C	Drawer pull out shelf - Center
R	Drawer pull out shelf - Right

## ACCESSORIES & CUSTOMIZATION

### 11. HARDWARE

You may select multiple power options

Code	Description	Price
MIC	Gooseneck microphone	\$953
HL	High intensity gooseneck light	\$260
LCDM	LCD Monitor Vesa Mount	\$360
LCDM2	LCD Monitor Vesa Dual Mount	\$637

If selecting multiple hardware options, please note you may only select one Monitor Mount.

### 12. POWER

You may select multiple power options

Code	Description	Price
PB	Power Bar	\$120
PBR	Power Bar Rack	\$260
AC4USB	AC4 Plus USB Chargers	\$210
CWG2	Lap top connection	\$637

### 13. FANS

Code	Description	Price
QF1	Quiet Fan - 1PK	\$200
QF2	Quiet Fan - 2PK	\$400
TF1	Thermo Fan - 1PK	\$270
TF2	Thermo Fan - 2PK	\$540

### 14. VENTILATION PANELS

You may select multiple ventilation panels

Code	Description	Price
V12BL	Vent Panel 3.5" X 12" - in Black Color	\$ 0
V12SV	Vent Panel 3.5" X 12" - in Silver Color	\$110
V12BL	Vent Panel 3.5" X 12" - in Black Color	\$110
V12WH	Vent Panel 3.5" X 12" - in White Color	\$110

Ventilation panel location is determined by engineering for maximum circulation of air flow.

### EGANINK

Specify EganINK on EVS, Glass, and acoustic/tackable materials. Please reach to our team for an EganINK quote with your custom art file.

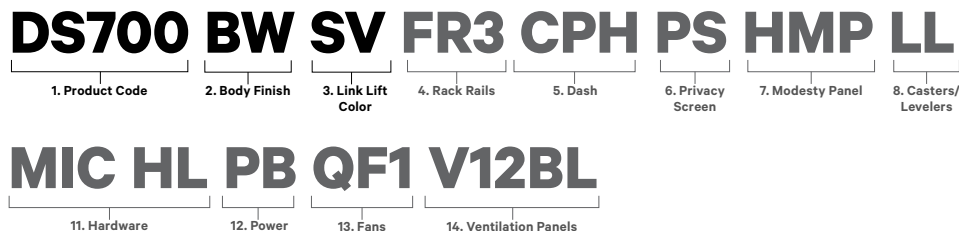
### CUT OUT

Additional CUT OUTs are \$150. Please reach out to our team to specify location.

### ENGRAVINGS

Please reach to our team for an Engraving quote with your custom art file.

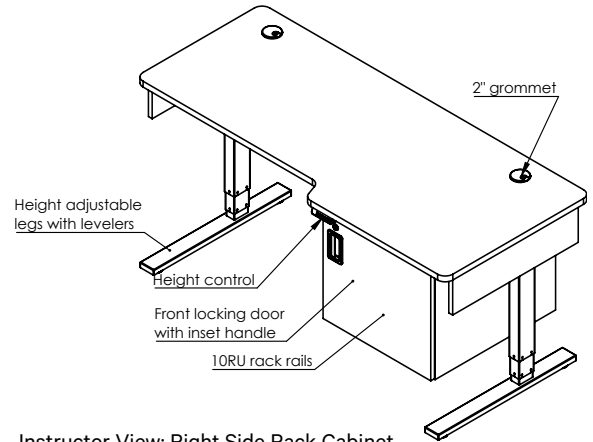
### HOW TO ORDER



# DS740 Height Adjustable Desk

Height Adjustable Tables & Desks

Exterior or Interior	Feature	Feature Included
<b>Worksurface &amp; Rack Cabinet Finish</b>	Worksurface & Rack Cabinet Finish	Standard laminates with matching edge banding
<b>Interior Racking Options</b>	Front Rack Rails	Includes Front Rack rails – 10RU
<b>Exterior Options</b>	Work Surface	Flat Work Surface
	Rack Cabinet Front Door	Front Locking Door
	Rack Cabinet Rear Access Panel	Removable Locking Access Panel
	Height Adjustable Table	From 29" to 42"
	Airflow: Fan & Ventilation	1 Quiet Fan included (QF1) additional fans and ventilation available
	Levelers	Adjustable Levelers



Instructor View: Right Side Rack Cabinet

1. PRODUCT CODE	Code	Feature	Price
	<b>DS740</b>	65" W x 30" to 42"H range x 28-3/4" D	\$4,620

## 2. RACK CABINET ORIENTATION

Code	Orientation	Price
<b>LS</b>	Left Rack	\$4,614
<b>RS</b>	Right Side Rack	\$4,614

## 3. WORK SURFACE & RACK CABINET SURFACE FINISH

### LAMINATES

Code	Description	Code	Description
<b>BW</b>	459-58 Brite White	<b>ST</b>	9319-BH Stainless
<b>BLK</b>	909-58 Black	<b>AB</b>	5784 Ashwood Bone
<b>BF</b>	8916-58 Blackened Fiberwood	<b>WWB</b>	6372 Whitewashed Birchply
<b>CO</b>	9374-43 Cocoa Oak	<b>SC</b>	7759-43 Select Cherry
<b>HW</b>	5788 Hazel Walnut	<b>NM</b>	9236-43 Noble Mahogany
<b>BE</b>	5793 Buff Elm	<b>CM</b>	7738-58 Cognac Maple
<b>PG</b>	902-58 Platinum Grey	<b>SM</b>	9237-58 Sand Maple
<b>GG</b>	9300-58 Gray Grafix	<b>HPL</b>	Custom High-Pressure Laminate
<b>CH</b>	8955-43 Cinnamon Cherry		

### CUSTOM LAMINATES

Code	Supplier & Laminate Code	Price
<b>FO##</b>	Formica - TBD	Call for Quote
<b>WA##</b>	Wilson Art- TBD	
<b>PI##</b>	Pionite- TBD	
<b>NE##</b>	Nevamar- TBD	
<b>AR##</b>	Arborite- TBD	
Insert specific laminate code in place of ##		

For specialty compact laminates please call us at 1-800-263-2387 or email us at customerservice@egan.com

### WOOD STAINS

Standard veneer substrate is maple.

Code	Description	Price
<b>HS</b>	Haystack	Call for Quote
<b>WL</b>	Woodland	
<b>DW</b>	Driftwood	
<b>BB</b>	Barnboard	
<b>CB</b>	Carbon	
<b>NA</b>	Natural	
<b>CS</b>	Custom Stain	

# DS740 Height Adjustable Desk

## 4. LINAK LIFT COLOR

Code	Description
GR	Grey
BL	Black
WH	White

## WORK SURFACE OPTIONS

### 5. DASH

Code	Description	Price
CPH	Control Power Housing	\$420

### 6. PRIVACY SCREEN

Code	Description	Price
PS	Privacy Screen	\$ 0

### 7. KEYBOARD PULL OUT SHELF

Code	Description	Price
KB	Keyboard pull out shelf	\$270

### 8. CASTORS OR LEVELERS

Code	Description	Price
LL	Levelers	\$ 0
CT2	2.5" Castors	\$130

## INTERIOR RACKING OPTIONS

### 9 (A). FRONT RACK RAILS

Front Rack Rails			Rack Size Impact Other Options		
Code	Rack Rail	Availability	Drawers	Keyboard	Adjustable Shelves
FR10	10RU	Included	Not Available	Not Available	Not Available

### 9 (B). REAR RACK RAILS

Rear Rack Rails			Rack Size Impact Other Options		
Code	Rack Rail	Availability	Drawers	Keyboard	Adjustable Shelves
RR10	10RU	Included	Not Available	Not Available	Not Available

## RACK CABINET OPTIONS

### 10. ADJUSTABLE SHELF

You cannot order Adjustable Shelves with rack rails

Code	Description	Price
AS	Adjustable Shelf	\$ 0

## INTERIOR OPTIONS - CABINET

### 11. FRONT DOOR

Code	Description	Price
FLD	Front Locking Door	\$ 0
NFD	No Solid Front Door	\$ 0

### 12. LOCKS

Code	Description	Price
LK	Locks	\$ 0
NLK	No Locks	\$ 0
COM	Custom Locks	Call for Quote

For custom order lock requests please call us at 1-800-263-2387 or email us at [customerservice@egan.com](mailto:customerservice@egan.com)

# DS740 Height Adjustable Desk

## 13. SIDE SHELF

Code	Description	Price
SSL	Side Shelf Left	\$260
SSR	Side Shelf Right	\$260

## ACCESSORIES & CUSTOMIZATION

### 14. HARDWARE

You may select multiple power options

Code	Description	Price
MIC	Gooseneck microphone	\$953
HL	High intensity gooseneck light	\$260
LCDM	LCD Monitor Vesa Mount	\$360
LCDM2	LCD Monitor Vesa Dual Mount	\$637

If selecting multiple hardware options, please note you may only select one Monitor Mount.

### 16. FANS

Code	Description	Price
QF1	Quiet Fan - 1PK	\$0
QF2	Quiet Fan - 2PK	\$200
TF1	Thermo Fan - 1PK	\$270
TF2	Thermo Fan - 2PK	\$540

### 15. POWER

You may select multiple power options

Code	Description	Price
PB	Power Bar	\$120
PBR	Power Bar Rack	\$260
AC4USB	AC4 Plus USB Chargers	\$210
CWG2	Lap top connection	\$637

### 17. VENTILATION PANELS

You may select multiple ventilation panels

Code	Description	Price
V15SV	Vent Panel 3.5" X 15" - in Silver Color	\$110
V15BL	Vent Panel 3.5" X 15" - in Black Color	\$110
V15WH	Vent Panel 3.5" X 15" - in White Color	\$110
V19SV	Vent Panel 3.5" X 19" - in Silver Color	\$110
V19BL	Vent Panel 3.5" X 19" - in Black Color	\$110
V19WH	Vent Panel 3.5" X 19" - in White Color	\$110

Ventilation panel location is determined by engineering for maximum circulation of air flow.

### EGANINK

Specify EganInk on EVS, Glass, and acoustic/tackable materials. Please reach to our team for an EganInk quote with your custom art file.

### CUT OUT

Additional CUT OUTS are \$150. Please reach out to our team to specify location.

### ENGRAVINGS

Please reach to our team for an Engraving quote with your custom art file.

### HOW TO ORDER

**DS740 LS BW SV CPH PS KB LL FR10**

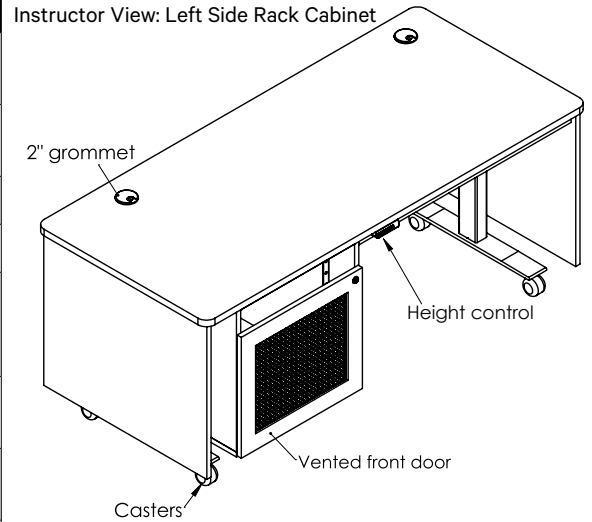
1. Product Code    2. Rack Cabinet    3. Body Finish    4. Linak Lift Color    5. Dash    6. Privacy Screen    7. Keyboard pull out shelf    8. Castors/ Levelers    9. Front Rack Rails

**FLD LK SSL MIC HL PB QF1 V15BL**

11. Front Door    12. Locks    13. Side Shelf    14. Hardware    15. Power    16. Fans    17. Ventilation Panels

# DS780 Height Adjustable Desk

Exterior or Interior	Feature	Feature Included
<b>Worksurface &amp; Rack Cabinet Finish</b>	Worksurface & Rack Cabinet Finish	Standard laminates with matching edge banding
<b>Interior Racking Options</b>	Front Rack Rails	Includes Front Rack rails - 12RU
<b>Exterior Options</b>	Work Surface	Flat Work Surface
	Rack Cabinet Orientation	Left or right
	Rack Cabinet Front Door	Front Locking Door with large metal perforated grill and 2 RU open access at the top
	Rack Cabinet Rear Access Panel	Removable Locking Access Panel
	Airflow: Fans & Ventilation Panel	Thermo Fan included as standard, vents in White, Black and Silver.
	Levelers	Adjustable Levelers



Height Adjustable Tables & Desks

1. PRODUCT CODE	Code	Feature	Price
	<b>DS780</b>	62"W x 30"D x 67"H	\$6,290

## 2. RACK CABINET ORIENTATION

Code	Orientation
<b>LS</b>	Left Rack
<b>RS</b>	Right Side Rack

## 3. WORK SURFACE & RACK CABINET SURFACE FINISH

### LAMINATES

Code	Description	Code	Description
<b>BW</b>	459-58 Brite White	<b>ST</b>	9319-BH Stainless
<b>BLK</b>	909-58 Black	<b>AB</b>	5784 Ashwood Bone
<b>BF</b>	8916-58 Blackened Fiberwood	<b>WWB</b>	6372 Whitewashed Birchply
<b>CO</b>	9374-43 Cocoa Oak	<b>SC</b>	7759-43 Select Cherry
<b>HW</b>	5788 Hazel Walnut	<b>NM</b>	9236-43 Noble Mahogany
<b>BE</b>	5793 Buff Elm	<b>CM</b>	7738-58 Cognac Maple
<b>PG</b>	902-58 Platinum Grey	<b>SM</b>	9237-58 Sand Maple
<b>GG</b>	9300-58 Gray Grafix	<b>HPL</b>	Custom High-Pressure Laminate
<b>CH</b>	8955-43 Cinnamon Cherry		

### CUSTOM LAMINATES

Code	Supplier & Laminate Code	Price Upcharge
<b>FO##</b>	Formica - TBD	\$400
<b>WA##</b>	Wilson Art- TBD	
<b>PI##</b>	Pionite- TBD	
<b>NE##</b>	Nevamar- TBD	
<b>AR##</b>	Arborite- TBD	
Insert specific laminate code in place of ##		

For specialty compact laminates please call us at 1-800-263-2387 or email us at customerservice@egan.com

### WOOD STAINS

Standard veneer substrate is maple.

Code	Description	Price Upcharge
<b>HS</b>	Haystack	\$2,790
<b>WL</b>	Woodland	
<b>DW</b>	Driftwood	
<b>BB</b>	Barnboard	
<b>CB</b>	Carbon	
<b>NA</b>	Natural	Call for Quote
<b>CS</b>	Custom Stain	



# DS780 Height Adjustable Desk

Height Adjustable Tables & Desks

## 4. LINAK LIFT COLOR

Code	Description
GR	Grey
BL	Black
WH	White

## WORK SURFACE OPTIONS

### 5. DASH

Code	Description	Price
CPH	Control Power Housing	\$420

### 6. PRIVACY SCREEN

Code	Description	Price
PS	Privacy Screen	\$300

### 7. KEYBOARD PULL OUT SHELF

Code	Description	Price
KB	Keyboard pull out shelf	\$270

### 8. CASTORS OR LEVELERS

Code	Description	Price
LL	Levelers	\$ 0
CT2	2.5" Castors	\$130

## INTERIOR RACKING OPTIONS

### 9 (A). FRONT RACK RAILS

Front Rack Rails			Rack Size Impact Other Options				
Code	Rack Rail	Availability	Front Door (Style determined by Rack Rail sizing)	Drawers	Keyboard	Adjustable Shelves	Price
FR10	10RU	Available	Included	Available	Not Available	Not Available	\$ 0
FR12	12RU	Available	Included	Not Available	Not Available	Not Available	\$ 0

### 9 (B). REAR RACK RAILS

Rear Rack Rails			Rack Size Impact Other Options				
Code	Rack Rail	Availability	Front Door (Style determined by Rack Rail sizing)	Drawers	Keyboard	Adjustable Shelves	Price
RR10	10RU	Available	Included	Available	Not Available	Not Available	\$140
RR12	12RU	Available	Included	Not Available	Not Available	Not Available	\$150

## INTERIOR OPTIONS - CABINET

### 10. ADJUSTABLE SHELF

You cannot order Adjustable Shelves with rack rails

Code	Description	Price
AS	Adjustable Shelf	\$130

# DS780 Height Adjustable Desk

## RACK OPTIONS - CABINET

### 11. FRONT DOOR

Code	Description	Price
<b>FLD</b>	Front Locking Door	\$ 0
<b>NFD</b>	No Solid Front Door	\$ 0

### 12. FRONT DOOR VENT PANELS

Code	Description
<b>SL</b>	Silver
<b>BL</b>	Black
<b>WH</b>	White

### 13. LOCKS

Code	Description	Price
<b>LK</b>	Locks	\$ 0
<b>NLK</b>	No Locks	\$ 0
<b>COM</b>	Custom Locks	Call for Quote

For custom order lock requests please call us at 1-800-263-2387 or email us at customerservice@egan.com

### 14. DRAWERS

Code	Description	Price
<b>FSD</b>	Front Storage Drawer	\$300

### 15. SIDE SHELF

Code	Description	Price
<b>SSL</b>	Side Shelf Left	\$260
<b>SSR</b>	Side Shelf Right	\$260

## ACCESSORIES & CUSTOMIZATION

### 16. HARDWARE

You may select multiple power options

Code	Description	Price
<b>MIC</b>	Gooseneck microphone	\$953
<b>HL</b>	High intensity gooseneck light	\$260
<b>LCDM</b>	LCD Monitor Vesa Mount	\$260
<b>LCDM2</b>	LCD Monitor Vesa Dual Mount	\$637

If selecting multiple hardware options, please note you may only select one Monitor Mount.

### 18. FANS

Code	Description	Price
<b>TF1</b>	Thermo Fan - 1PK	\$0
<b>TF2</b>	Thermo Fan - 2PK	\$270

### 17. POWER

You may select multiple power options

Code	Description	Price
<b>PB</b>	Power Bar	\$120
<b>PBR</b>	Power Bar Rack	\$260
<b>AC4USB</b>	AC4 Plus USB Chargers	\$210
<b>CWG2</b>	Lap top connection	\$510

### 19. VENTILATION PANELS

You may select multiple ventilation panels

Code	Description	Price
<b>V15SV</b>	Vent Panel 3.5" X 15" – in Silver Color	\$110
<b>V15BL</b>	Vent Panel 3.5" X 15" – in Black Color	\$110
<b>V15WH</b>	Vent Panel 3.5" X 15" – in White Color	\$110
<b>V19SV</b>	Vent Panel 3.5" X 19" – in Silver Color	\$110
<b>V19BL</b>	Vent Panel 3.5" X 19" – in Black Color	\$110
<b>V19WH</b>	Vent Panel 3.5" X 19" – in White Color	\$110

Ventilation panel location is determined by engineering for maximum circulation of air flow.

### EGANINK

Specify EganINK on EVS, Glass, and acoustic/tackable materials. Please reach to our team for an EganINK quote with your custom art file.

### CUT OUT

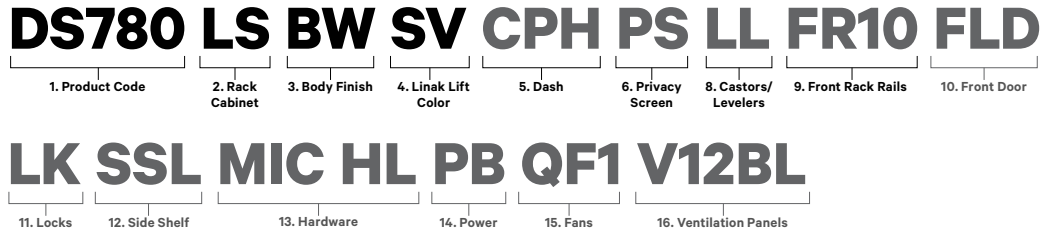
Additional CUT OUTs are \$150. Please reach out to our team to specify location.

# DS780 Height Adjustable Desk

## ENGRAVINGS

Please reach to our team for an Engraving quote with your custom art file.

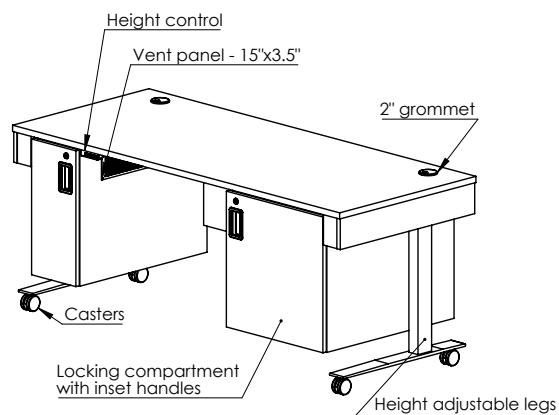
## HOW TO ORDER



Height Adjustable Tables & Desks

# DS800 Height Adjustable Desk

Exterior or Interior	Feature	Feature Included
<b>Worksurface &amp; Rack Cabinet Finish</b>	Worksurface & Rack Cabinet Finish	Standard laminates with matching edge banding
<b>Interior Racking Options</b>	Front Rack Rails	Includes Front Rack rails - 10RU
<b>Exterior Options</b>	Work Surface	Flat Work Surface
	Height Adjustable Table	From 29" to 42"
	Rack Cabinet Front Door	Front Locking Door
	Rack Cabinet Locking Rear Access Panel Panels	Removable Locking Rear Access Panels
	Modesty Panel	Half Modesty included.
	Levelers	Adjustable Levelers



Height Adjustable Tables & Desks

1. PRODUCT CODE	Code	Feature	Price
	<b>DS800</b>	72" W x 30" to 42"H range x 30"D	\$5,660

## 2. WORK SURFACE & RACK CABINET SURFACE FINISH

### LAMINATES

Code	Description	Code	Description
<b>BW</b>	459-58 Brite White	<b>ST</b>	9319-BH Stainless
<b>BLK</b>	909-58 Black	<b>AB</b>	5784 Ashwood Bone
<b>BF</b>	8916-58 Blackened Fiberwood	<b>WWB</b>	6372 Whitewashed Birchply
<b>CO</b>	9374-43 Cocoa Oak	<b>SC</b>	7759-43 Select Cherry
<b>HW</b>	5788 Hazel Walnut	<b>NM</b>	9236-43 Noble Mahogany
<b>BE</b>	5793 Buff Elm	<b>CM</b>	7738-58 Cognac Maple
<b>PG</b>	902-58 Platinum Grey	<b>SM</b>	9237-58 Sand Maple
<b>GG</b>	9300-58 Gray Grafix	<b>HPL</b>	Custom High-Pressure Laminate
<b>CH</b>	8955-43 Cinnamon Cherry		

### CUSTOM LAMINATES

Code	Supplier & Laminate Code	Price Upcharge
<b>FO##</b>	Formica - TBD	\$600
<b>WA##</b>	Wilson Art- TBD	
<b>PI##</b>	Pionite- TBD	
<b>NE##</b>	Nevamar- TBD	
<b>AR##</b>	Arborite- TBD	
Insert specific laminate code in place of ##		

For specialty compact laminates please call us at 1-800-263-2387 or email us at customerservice@egan.com

### WOOD STAINS

Standard veneer substrate is maple.

Code	Description	Price Upcharge
<b>HS</b>	Haystack	\$3,240
<b>WL</b>	Woodland	
<b>DW</b>	Driftwood	
<b>BB</b>	Barnboard	
<b>CB</b>	Carbon	
<b>NA</b>	Natural	
<b>CS</b>	Custom Stain	Call for Quote

# DS800 Height Adjustable Desk

Height Adjustable Tables & Desks

### 3. LINAK COLOR

Code	Description
GR	Grey
BL	Black
Wh	White

## WORK SURFACE OPTIONS

### 4. DASH

Code	Description	Price
CPH	Control Power Housing	\$420

### 5. PRIVACY SCREEN

Code	Description	Price
PS	Privacy Screen	\$ 0

### 6. KEYBOARD PULL OUT SHELF

Code	Description	Price
KB	Keyboard Pull Out Shelf	\$270

### 7. MODESTY PANEL

Code	Description	Price
HMP	Half Modesty Panel	\$ 0
FMP	Full Modesty Panel	\$600

### 8. CASTORS OR LEVELERS

Code	Description	Price
LL	Levelers	\$ 0
CT2	2.5" Castors	\$130

## INTERIOR RACKING OPTIONS

### 9 (A). FRONT RACK RAILS

Front Rack Rails			Rack Size Impact Other Options				
Code	Rack Rail	Availability	Front Door (Style determined by Rack Rail sizing)	Drawers	Keyboard	Adjustable Shelves	Price
FR10	10RU	Included	Included	Available	Not Available	Not Available	\$140

### 9 (B). REAR RACK RAILS

Rear Rack Rails			Rack Size Impact Other Options				
Code	Rack Rail	Availability	Front Door (Style determined by Rack Rail sizing)	Drawers	Keyboard	Adjustable Shelves	Price
RR10	10RU	Available	Front door with 2RU opening	Not Available	Not Available	Not Available	\$140

## INTERIOR OPTIONS - CABINET

### 10. ADJUSTABLE SHELF

You cannot order Adjustable Shelves with rack rails

Code	Description	Price
AS	Adjustable Shelf	\$ 0

# DS800 Height Adjustable Desk

## RACK OPTIONS - CABINET

### 11. FRONT DOOR

Code	Description	Price
<b>FLD</b>	Front Locking Door	\$ 0
<b>NFD</b>	No Solid Front Door	\$ 0

### 12. LOCKS

Code	Description	Price
<b>LK</b>	Locks	\$ 0
<b>NLK</b>	No Locks	\$ 0
<b>COM</b>	Custom Locks	Call for Quote

For custom order lock requests please call us at 1-800-263-2387 or email us at customerservice@egan.com

## ACCESSORIES & CUSTOMIZATION

### 13. HARDWARE

You may select multiple power options

Code	Description	Price
<b>MIC</b>	Gooseneck microphone	\$953
<b>HL</b>	High intensity gooseneck light	\$260
<b>LCDM</b>	LCD Monitor Vesa Mount	\$360
<b>LCDM2</b>	LCD Monitor Vesa Dual Mount	\$637

If selecting multiple hardware options, please note you may only select one Monitor Mount.

### 14. POWER

You may select multiple power options

Code	Description	Price
<b>PB</b>	Power Bar	\$120
<b>PBR</b>	Power Bar Rack	\$260
<b>AC4USB</b>	AC4 Plus USB Chargers	\$210
<b>CWG2</b>	Lap top connection	\$510

### 15. FANS

Code	Description	Price
<b>QF1</b>	Quiet Fan - 1PK	\$200
<b>QF2</b>	Quiet Fan - 2PK	\$400
<b>TF1</b>	Thermo Fan - 1PK	\$270
<b>TF2</b>	Thermo Fan - 2PK	\$540

### 16. VENTILATION PANELS

You may select multiple ventilation panels

Code	Description	Price
<b>V15SV</b>	Vent Panel 3.5" X 15" – in Silver Color	\$110
<b>V15BL</b>	Vent Panel 3.5" X 15" – in Black Color	\$110
<b>V15WH</b>	Vent Panel 3.5" X 15" – in White Color	\$110
<b>V19SV</b>	Vent Panel 3.5" X 19" – in Silver Color	\$110
<b>V19BL</b>	Vent Panel 3.5" X 19" – in Black Color	\$110
<b>V19WH</b>	Vent Panel 3.5" X 19" – in White Color	\$110

Ventilation panel location is determined by engineering for maximum circulation of air flow.

### EGANINK

Specify EganINK on EVS, Glass, and acoustic/tackable materials. Please reach to our team for an EganINK quote with your custom art file.

### CUT OUT

Additional CUT OUTs are \$150. Please reach out to our team to specify location.

### ENGRAVINGS

Please reach to our team for an Engraving quote with your custom art file.

# DS800 Height Adjustable Desk

HOW TO ORDER

**DS800 BW SV CPH PS KB HMP LL FR10**

1. Product Code

2. Body Finish

3. Linak Lift  
Color

4. Dash

5. Privacy  
Screen

6. Keyboard  
pull out shelf

7. Modesty Panel

8. Castors/  
Levelers

9. Front Rack Rails

**FLD LK SSL MIC HL PB QF1 V12BL**

12. Front Door

11. Locks

12. Side Shelf

13. Hardware

14. Power

15. Fans

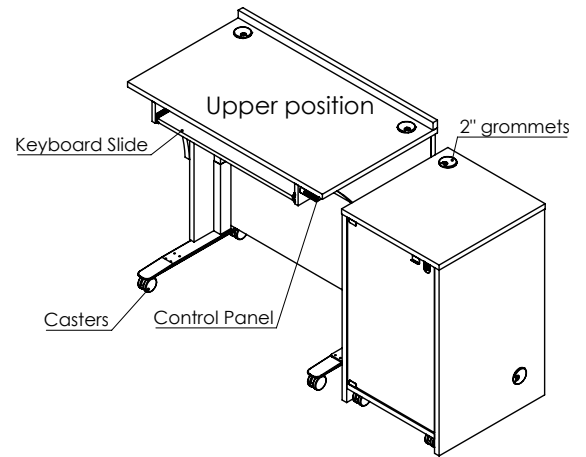
16. Ventilation Panels

Height Adjustable Tables & Desks

# DS900 RACK Height Adjustable Desk

Exterior or Interior	Feature	Feature Included
<b>Worksurface &amp; Rack Cabinet Finish</b>	Worksurface & Rack Cabinet Finish	Standard laminates with matching edge banding
<b>Exterior Options</b>	Work Surface	Flat Work Surface
	Privacy Screen	1.5" privacy screen
	Desk Removeable Access Panel	Removable Rear Access Panel
	Keyboard	Keyboard pull out shelf
	Height Adjustable Table	From 28" to 40.75" for Casters and 28" to 37.5 for levelers
	Castors	3.5" Castors – 2 locking and 2 non-locking
<b>Interior Racking Options</b>	Front Rack Rails	Includes Front Rack rails – 12RU or 18RU
<b>Exterior Rack</b>	Rack Cabinet (Option)	Attached Side Rack Cabinet
	Rack Cabinet Front Door	Front Locking Plexiglass Door
	Rear Access Panel	Removable Access Panel

Instructor View: Right Side Rack Cabinet



Height Adjustable Tables & Desks

## 1. PRODUCT CODE

Code	Feature	Price
<b>DS900</b>	DESK: 44" W x 30" to 42"H range x 26" D	\$4,770
<b>DS900-Rack</b>	DESK & RACK - 22" W x 25-7/8"H x 24"D	

## 2. RACK ORIENTATION

Code	Orientation
<b>LS</b>	Left Rack
<b>RS</b>	Right Side Rack

## 3. WORK SURFACE & RACK CABINET SURFACE FINISH

### LAMINATES

Code	Description	Code	Description
<b>BW</b>	459-58 Brite White	<b>ST</b>	9319-BH Stainless
<b>BLK</b>	909-58 Black	<b>AB</b>	5784 Ashwood Bone
<b>BF</b>	8916-58 Blackened Fiberwood	<b>WWB</b>	6372 Whitewashed Birchply
<b>CO</b>	9374-43 Cocoa Oak	<b>SC</b>	7759-43 Select Cherry
<b>HW</b>	5788 Hazel Walnut	<b>NM</b>	9236-43 Noble Mahogany
<b>BE</b>	5793 Buff Elm	<b>CM</b>	7738-58 Cognac Maple
<b>PG</b>	902-58 Platinum Grey	<b>SM</b>	9237-58 Sand Maple
<b>GG</b>	9300-58 Gray Grafix	<b>HPL</b>	Custom High-Pressure Laminate
<b>CH</b>	8955-43 Cinnamon Cherry		

### CUSTOM LAMINATES

Code	Supplier & Laminate Code	Price
<b>FO##</b>	Formica - TBD	Call for Quote
<b>WA##</b>	Wilson Art- TBD	
<b>PI##</b>	Pionite- TBD	
<b>NE##</b>	Nevamar- TBD	
<b>AR##</b>	Arborite- TBD	
Insert specific laminate code in place of ##		

For specialty compact laminates please call us at 1-800-263-2387 or email us at customerservice@egan.com

### WOOD STAINS

Standard veneer substrate is maple.

Code	Description	Price
<b>HS</b>	Haystack	Call for Quote
<b>WL</b>	Woodland	
<b>DW</b>	Driftwood	
<b>BB</b>	Barnboard	
<b>CB</b>	Carbon	
<b>NA</b>	Natural	
<b>CS</b>	Custom Stain	



# DS900 RACK Height Adjustable Desk

Height Adjustable Tables & Desks

## 4. LINAK LIFT COLOR

Code	Description
GR	Grey
BL	Black
Wh	White

## WORK SURFACE OPTIONS

### 5. DASH

Code	Description	Price
CPH	Control Power Housing	\$420

### 6. KEYBOARD PULL OUT SHELF

Code	Description	Price
KB	Keyboard Pull Out Shelf	\$ 0
NKB	No keyboard Pull Out Shelf	\$ 0

### 7. CASTORS OR LEVELERS

Code	Description	Price
LL	Levelers	\$ 0
CT2	2.5" Castors	\$130

## INTERIOR RACKING OPTIONS

### 8 (A). FRONT RACK RAILS

Front Rack Rails			Rack Size Impact Other Options			
Code	Rack Rail	Availability	Drawers	Keyboard	Adjustable Shelves	Price
FR12	12RU	Available	Included	Not Available	Not Available	\$ 0
FR18	18RU	Available	Not Available	Not Available	Not Available	\$ 0

### 8 (B). REAR RACK RAILS

Rear Rack Rails			Rack Size Impact Other Options			
Code	Rack Rail	Availability	Drawers	Keyboard	Adjustable Shelves	Price
RR12	12RU	Available	Included	Not Available	Not Available	\$150
RR18	18RU	Available	Not Available	Not Available	Not Available	\$180

## INTERIOR OPTIONS - CABINET

### 9. ADJUSTABLE SHELVES

Code	Description	Price
AS	Adjustable Shelf	\$130

You cannot order Adjustable Shelves with rack rails

# DS900 RACK Height Adjustable Desk

## RACK OPTIONS - CABINET

### 10. FRONT DOOR

Code	Description	Price
FPD	Front Locking Plexiglass Screen Door	\$ 0
FLD	Front Locking Door	\$230
ND	No Door	\$ 0

### 12. SIDE SHELF

Code	Description	Price
SSL	Side Shelf Left	\$260
SSR	Side Shelf Right	\$260

### 11. LOCKS

Code	Description	Price
LK	Locks	\$ 0
NLK	No Locks	\$ 0
COM	Custom Locks	Call for Quote

For custom order lock requests please call us at 1-800-263-2387 or email us at customerservice@egan.com

## ACCESSORIES & CUSTOMIZATION

### 13. HARDWARE

You may select multiple power options

Code	Description	Price
MIC	Gooseneck microphone	\$953
HL	High intensity gooseneck light	\$260
LCDM	LCD Monitor Vesa Mount	\$360
LCDM2	LCD Monitor Vesa Dual Mount	\$637

If selecting multiple hardware options, please note you may only select one Monitor Mount.

### 14. POWER

You may select multiple power options

Code	Description	Price
PB	Power Bar	\$120
PBR	Power Bar Rack	\$260
AC4USB	AC4 Plus USB Chargers	\$210
CWG2	Lap top connection	\$637

### 15. FANS

Code	Description	Price
QF1	Quiet Fan - 1PK	\$200
QF2	Quiet Fan - 2PK	\$400
TF1	Thermo Fan - 1PK	\$270
TF2	Thermo Fan - 2PK	\$540

### 16. VENTILATION PANELS

You may select multiple ventilation panels

Code	Description	Price
V15SV	Vent Panel 3.5" X 15" - in Silver Color	\$110
V15BL	Vent Panel 3.5" X 15" - in Black Color	\$110
V15WH	Vent Panel 3.5" X 15" - in White Color	\$110
V19SV	Vent Panel 3.5" X 19" - in Silver Color	\$110
V19BL	Vent Panel 3.5" X 19" - in Black Color	\$110
V19WH	Vent Panel 3.5" X 19" - in White Color	\$110

Ventilation panel location is determined by engineering for maximum circulation of air flow.

### EGANINK

Specify EganINK on EVS, Glass, and acoustic/tackable materials. Please reach to our team for an EganINK quote with your custom art file.

### CUT OUT

Additional CUT OUTs are \$150. Please reach out to our team to specify location.

### ENGRAVINGS

Please reach to our team for an Engraving quote with your custom art file.

# DS900 RACK Height Adjustable Desk

HOW TO ORDER

**DS900 RACK LS BW SV CPH KB LL FR12**

1. Product Code

2. Rack Orientation

3. Body Finish

4. Linak Lift Color

5. Dash

6. Keyboard pull out shelf

7. Castors/Levelers

8. Front Rack Rails

**FPD LK SSL MIC HL PB QF1 V12BL**

10. Front Door

11. Locks

12. Side Shelf

13. Hardware

14. Power

15. Fans

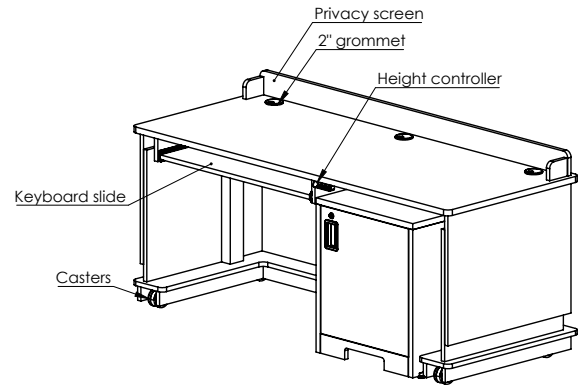
16. Ventilation Panels

Height Adjustable Tables & Desks

# DS950 RACK Height Adjustable Desk

Exterior or Interior	Feature	Feature Included
<b>Worksurface &amp; Rack Cabinet Finish</b>	Worksurface & Rack Cabinet Finish	Standard laminates with matching edge banding
	<b>Interior Racking Options</b>	Front Rack Rails
<b>Exterior Options</b>	Work Surface	Flat Work Surface
	Privacy Screen	1.5" privacy screen
	Desk Removeable Access Panel	Removable Rear Access Panel
	Keyboard	Keyboard pull out shelf
	Height Adjustable Table	From 29" to 42"
	Castors	2.5" Castors – 2 locking and 2 non-locking
<b>Exterior Rack</b>	Rack Cabinet	Rack Cabinet
	Rear Access Panel	Removable Access Panel

Instructor View: Right Side Rack Cabinet



Height Adjustable Tables & Desks

## 1. PRODUCT CODE

Code	Feature	Price
DS950R	44" W x 30" to 42"H range x 26"	\$6,110

## 2. RACK ORIENTATION

Code	Description
LS	Left Rack
RS	Right Side Rack

## 3. WORK SURFACE & RACK CABINET SURFACE FINISH

### LAMINATES

Code	Description	Code	Description
BW	459-58 Brite White	ST	9319-BH Stainless
BLK	909-58 Black	AB	5784 Ashwood Bone
BF	8916-58 Blackened Fiberwood	WWB	6372 Whitewashed Birchply
CO	9374-43 Cocoa Oak	SC	7759-43 Select Cherry
HW	5788 Hazel Walnut	NM	9236-43 Noble Mahogany
BE	5793 Buff Elm	CM	7738-58 Cognac Maple
PG	902-58 Platinum Grey	SM	9237-58 Sand Maple
GG	9300-58 Gray Grafix	HPL	Custom High-Pressure Laminate
CH	8955-43 Cinnamon Cherry		

### CUSTOM LAMINATES

Code	Supplier & Laminate Code	Price Upcharge
FO##	Formica - TBD	\$1,112
WA##	Wilson Art- TBD	
PI##	Pionite- TBD	
NE##	Nevamar- TBD	
AR##	Arborite- TBD	
Insert specific laminate code in place of ##		

For specialty compact laminates please call us at 1-800-263-2387 or email us at customerservice@egan.com

### WOOD STAINS

Standard veneer substrate is maple.

Code	Description	Price Upcharge
HS	Haystack	\$4,001
WL	Woodland	
DW	Driftwood	
BB	Barnboard	
CB	Carbon	
NA	Natural	Call for Quote
CS	Custom Stain	

# DS950 RACK Height Adjustable Desk

Height Adjustable Tables & Desks

## 4. LINAK LIFT COLOR

Code	Description
GR	Grey
BL	Black
Wh	White

## WORK SURFACE OPTIONS

### 5. DASH

Code	Description	Price
CPH	Control Power Housing	\$420

### 6. KEYBOARD PULL OUT SHELF

Code	Description	Price
KB	Keyboard Pull Out Shelf	\$ 0
NKB	No keyboard Pull Out Shelf	\$ 0

### 7. CASTORS OR LEVELERS

Code	Description	Price
CT2	2.5" Castors	\$ 0
LL	Levelers	\$111

## INTERIOR RACKING OPTIONS

### 8 (A). FRONT RACK RAILS

Front Rack Rails			Rack Size Impact Other Options			
Code	Rack Rail	Availability	Drawers	Keyboard	Adjustable Shelves	Price
FR10	10RU	Included	Not Available	Included	Not Available	\$ 0

### 8 (B). REAR RACK RAILS

Rear Rack Rails			Rack Size Impact Other Options			
Code	Rack Rail	Availability	Drawers	Keyboard	Adjustable Shelves	Price
RR10	10RU	Included	Not Available	Included	Not Available	\$140

## INTERIOR OPTIONS - CABINET

### 9. ADJUSTABLE SHELVES

You cannot order Adjustable Shelves with rack rails

Code	Description	Price
AS	Adjustable Shelf	\$130

## RACK OPTIONS - CABINET

### 10. FRONT DOOR

Code	Description	Price
FLD	Front Locking Door	\$ 0
ND	No Door	\$ 0

### 11. LOCKS

Code	Description	Price
LK	Locks	\$ 0
NLK	No Locks	\$ 0
COM	Custom Locks	Call for Quote

For custom order lock requests please call us at 1-800-263-2387 or email us at customerservice@egan.com

# DS950 RACK Height Adjustable Desk

## 12. SIDE SHELF

Code	Description	Price
SSL	Side Shelf Left	\$260
SSR	Side Shelf Right	\$260
SSB	Side Shelf Left & Right	\$520

## ACCESSORIES & CUSTOMIZATION

### 13. HARDWARE

You may select multiple power options

Code	Description	Price
MIC	Gooseneck microphone	\$953
HL	High intensity gooseneck light	\$260
LCDM	LCD Monitor Vesa Mount	\$360
LCDM2	LCD Monitor Vesa Dual Mount	\$637

If selecting multiple hardware options, please note you may only select one Monitor Mount.

### 14. POWER

You may select multiple power options

Code	Description	Price
PB	Power Bar	\$120
PBR	Power Bar Rack	\$260
AC4USB	AC4 Plus USB Chargers	\$210
CWG2	Small Interactive Cable Well	\$637

### 16. VENTILATION PANELS

You may select multiple ventilation panels

Code	Description	Price
V15SV	Vent Panel 3.5" X 15" – in Silver Color	\$110
V15BL	Vent Panel 3.5" X 15" – in Black Color	\$110
V15WH	Vent Panel 3.5" X 15" – in White Color	\$110
V19SV	Vent Panel 3.5" X 19" – in Silver Color	\$110
V19BL	Vent Panel 3.5" X 19" – in Black Color	\$110
V19WH	Vent Panel 3.5" X 19" – in White Color	\$110

Ventilation panel location is determined by engineering for maximum circulation of air flow.

### 15. FANS

Code	Description	Price
QF1	Quiet Fan - 1PK	\$200
QF2	Quiet Fan - 2PK	\$400
TF1	Thermo Fan - 1PK	\$270
TF2	Thermo Fan - 2PK	\$540

### EGANINK

Specify EganInk on EVS, Glass, and acoustic/tackable materials. Please reach to our team for an EganInk quote with your custom art file.

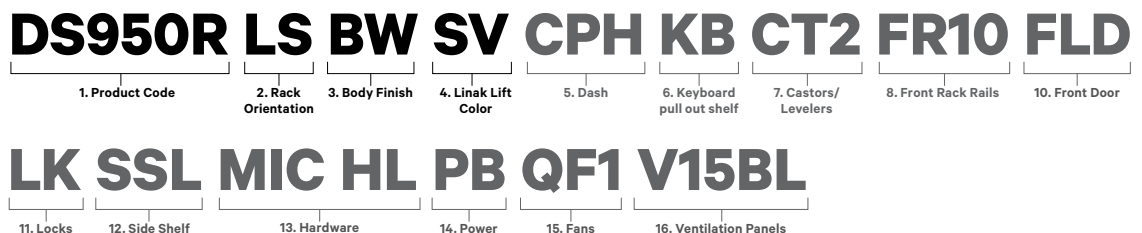
### CUT OUT

Additional CUT OUTs are \$150. Please reach out to our team to specify location.

### ENGRAVINGS

Please reach to our team for an Engraving quote with your custom art file.

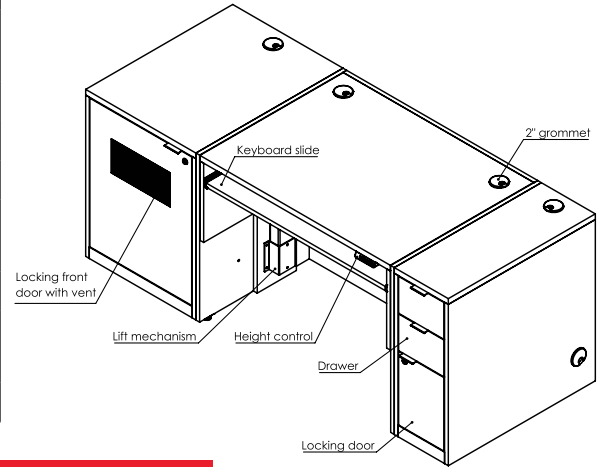
### HOW TO ORDER



# DS3040 Height Adjustable Desk

Height Adjustable Tables & Desks

Exterior or Interior	Feature	Feature Included
<b>Exterior</b>	Work Surface Color	Standard laminates with matching edge banding
	Height Adjustable Table	From 29" to 42"
	Cabinet Front Door	Front Locking Door
	Lock	All doors are locking
	Cabinet Removable Locking Access Panel	Removable Locking Access Panel
	Levelers	Adjustable Levelers
	Ventilation Panels	Included, available in 3 colors (White, Black and Silver)
<b>Interior</b>	Racks	15 RU Front Rack Rails



## 1. PRODUCT CODE

Code	Feature	Price
<b>DS3040</b>	40-1/2" W x 30" to 42"H range x 30"D	\$9,660

## 2. DRAWER/RACK SIDE UNITS

Code	Description	Price
<b>DR</b>	Drawer Right – 11" W x 30"H x 30" D	1 unit
<b>DL</b>	Drawer Left – 11" W x 30"H x 30" D	1 unit
<b>RL</b>	Rack Left – 22-2/3" W x 30"H x 30" D	1 unit
<b>RR</b>	Rack Right – 22-2/3" W x 30"H x 30" D	1 unit

For additional combinations and different configurations please contact sales for further information.

## 3. WORK SURFACE & RACK CABINET SURFACE FINISH

### LAMINATES

Code	Description	Code	Description
<b>BW</b>	459-58 Brite White	<b>ST</b>	9319-BH Stainless
<b>BLK</b>	909-58 Black	<b>AB</b>	5784 Ashwood Bone
<b>BF</b>	8916-58 Blackened Fiberwood	<b>WWB</b>	6372 Whitewashed Birchply
<b>CO</b>	9374-43 Cocoa Oak	<b>SC</b>	7759-43 Select Cherry
<b>HW</b>	5788 Hazel Walnut	<b>NM</b>	9236-43 Noble Mahogany
<b>BE</b>	5793 Buff Elm	<b>CM</b>	7738-58 Cognac Maple
<b>PG</b>	902-58 Platinum Grey	<b>SM</b>	9237-58 Sand Maple
<b>GG</b>	9300-58 Gray Grafix	<b>HPL</b>	Custom High-Pressure Laminate
<b>CH</b>	8955-43 Cinnamon Cherry		

### CUSTOM LAMINATES

Code	Supplier & Laminate Code	Price Upcharge
<b>FO##</b>	Formica - TBD	\$200
<b>WA##</b>	Wilson Art- TBD	
<b>PI##</b>	Pionite- TBD	
<b>NE##</b>	Nevamar- TBD	
<b>AR##</b>	Arborite- TBD	
Insert specific laminate code in place of ##		

For specialty compact laminates please call us at 1-800-263-2387 or email us at customerservice@egan.com

### WOOD STAINS

Standard veneer substrate is maple.

Code	Description	Price Upcharge
<b>HS</b>	Haystack	\$3,320
<b>WL</b>	Woodland	
<b>DW</b>	Driftwood	
<b>BB</b>	Barnboard	
<b>CB</b>	Carbon	
<b>NA</b>	Natural	
<b>CS</b>	Custom Stain	Call for Quote

# DS3040 Height Adjustable Desk

## 4. LINAK LIFT COLOR

Code	Description
GR	Grey
BL	Black
Wh	White

## TABLE OPTIONS

### 5. DASH

Code	Description	Price
CPH	Control Power Housing	\$420

### 6. KEYBOARD PULL OUT SHELF

Code	Description	Price
KB	Keyboard Pull Out Shelf	\$ 0

## INTERIOR RACKING OPTIONS

### 7 (A). FRONT RACK RAILS

Front Rack Rails			Rack Size Impact Other Options		
Code	Rack Rail	Availability	Drawers	Adjustable Shelves	Price
FR15	15RU	Included	Not Available	Not Available	\$ 0

### 7 (B). REAR RACK RAILS

Rear Rack Rails			Rack Size Impact Other Options		
Code	Rack Rail	Availability	Drawers	Adjustable Shelves	Price
RR15	15RU	Available	Not Available	Not Available	\$160

## INTERIOR OPTIONS - CABINET

### 8. ADJUSTABLE SHELVES

Code	Description	Price
AS	Adjustable Shelves	\$130

You cannot order Adjustable Shelves with rack rails

## RACK CABINET OPTIONS

### 9. FRONT DOOR

Code	Description	Price
FLD	Front Locking Door	\$ 0
NFD	No Solid Front Door	\$ 0

### 10. LOCKS

Code	Description	Price
LK	Locks	\$ 0
NLK	No Locks	\$ 0
COM	Custom Locks	Call for Quote

For custom order lock requests please call us at 1-800-263-2387 or email us at customerservice@egan.com



# DS3040 Height Adjustable Desk

## 11. SIDE SHELF

Code	Description	Price
SSL	Side Shelf Left	\$260
SSR	Side Shelf Right	\$260
SSB	Side Shelf Left & Right	\$520

## ACCESSORIES & CUSTOMIZATION

### 12. HARDWARE

You may select multiple power options

Code	Description	Price
MIC	Gooseneck microphone	\$953
HL	High intensity gooseneck light	\$260
LCDM	LCD Monitor Vesa Mount	\$360
LCDM2	LCD Monitor Vesa Dual Mount	\$637

If selecting multiple hardware options, please note you may only select one Monitor Mount.

### 13. POWER

You may select multiple power options

Code	Description	Price
PB	Power Bar	\$120
PBR	Power Bar Rack	\$260
AC4USB	AC4- Plus USB Chargers	\$210
CWG2	Small Interactive Cable Well	\$637

### 14. FANS

Code	Description	Price
QF1	Quiet Fan - 1PK	\$200
QF2	Quiet Fan - 2PK	\$400
TF1	Thermo Fan - 1PK	\$270
TF2	Thermo Fan - 2PK	\$540

### 15. VENTILATION PANELS

You may select multiple ventilation panels

Code	Description	Price
V15SV	Vent Panel 3.5" X 15" – in Silver Color	\$110
V15BL	Vent Panel 3.5" X 15" – in Black Color	\$110
V15WH	Vent Panel 3.5" X 15" – in White Color	\$110
V19SV	Vent Panel 3.5" X 19" – in Silver Color	\$110
V19BL	Vent Panel 3.5" X 19" – in Black Color	\$110
V19WH	Vent Panel 3.5" X 19" – in White Color	\$110

Ventilation panel location is determined by engineering for maximum circulation of air flow.

### EGANINK

Specify EganINK on EVS, Glass, and acoustic/tackable materials. Please reach to our team for an EganINK quote with your custom art file.

### CUT OUT

Additional CUT OUTS are \$150. Please reach out to our team to specify location.

### ENGRAVINGS

Please reach to our team for an Engraving quote with your custom art file.

## HOW TO ORDER

**DS3040 DR BW SV CPH KB FR10 FLD LK**

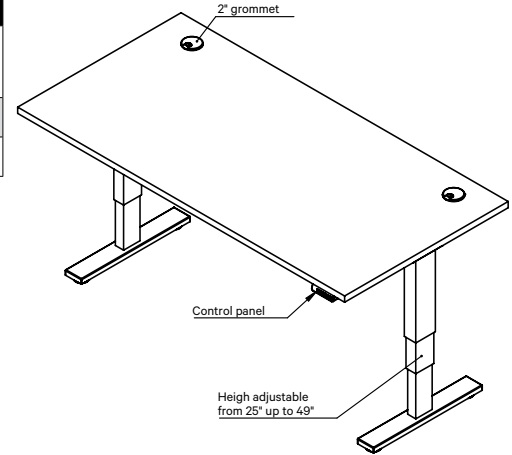
1. Product Code    2. Side Units    3. Body Finish    4. Linak Lift Color    5. Dash    6. Keyboard pull out shelf    7. Front Rack Rails    9. Front Door    10. Locks

**SSL MIC HL PB QF1 V15BL**

11. Side Shelf    12. Hardware    13. Power    14. Fans    15. Ventilation Panels

# LT3060 Height Adjustable Desk

Exterior or Interior	Feature	Feature Included
Exterior Options	Work Surface Color	Standard laminates and Edge matching.
	Height Adjustable Table	From 29" to 42"
	Levelers	Levelers



## 1. PRODUCT CODE

Code	Description	Price
<b>LT3048</b>	48" W x 30" to 42"H range x 30" D	\$2,210
<b>LT3060</b>	60" W x 30" to 42"H range x 30" D	\$2,210
<b>LT3072</b>	72" W x 30" to 42"H range x 30" D	\$2,290

## 2. WORK SURFACE COLORS

### LAMINATES

Code	Description	Code	Description
<b>BW</b>	459-58 Brite White	<b>ST</b>	9319-BH Stainless
<b>BLK</b>	909-58 Black	<b>AB</b>	5784 Ashwood Bone
<b>BF</b>	8916-58 Blackened Fiberwood	<b>WWB</b>	6372 Whitewashed Birchply
<b>CO</b>	9374-43 Cocoa Oak	<b>SC</b>	7759-43 Select Cherry
<b>HW</b>	5788 Hazel Walnut	<b>NM</b>	9236-43 Noble Mahogany
<b>BE</b>	5793 Buff Elm	<b>CM</b>	7738-58 Cognac Maple
<b>PG</b>	902-58 Platinum Grey	<b>SM</b>	9237-58 Sand Maple
<b>GG</b>	9300-58 Gray Grafix	<b>HPL</b>	Custom High-Pressure Laminate
<b>CH</b>	8955-43 Cinnamon Cherry		

### CUSTOM LAMINATES

Code	Supplier & Laminate Code	Price
<b>FO##</b>	Formica - TBD	Call for Quote
<b>WA##</b>	Wilson Art- TBD	
<b>PI##</b>	Pionite- TBD	
<b>NE##</b>	Nevamar- TBD	
<b>AR##</b>	Arborite- TBD	
Insert specific laminate code in place of ##		

For specialty compact laminates please call us at 1-800-263-2387 or email us at customerservice@egan.com

### WOOD STAINS

Standard veneer substrate is maple.

Code	Description	Price
<b>HS</b>	Haystack	Call for Quote
<b>WL</b>	Woodland	
<b>DW</b>	Driftwood	
<b>BB</b>	Barnboard	
<b>CB</b>	Carbon	
<b>NA</b>	Natural	
<b>CS</b>	Custom Stain	

## 3. LINAK LIFT COLOR

Code	Description
<b>SV</b>	Silver
<b>BL</b>	Black
<b>Wh</b>	White

# LT3060 Height Adjustable Desk

Height Adjustable Tables & Desks

## WORK SURFACE OPTIONS

### 4. DASH

Code	Description	Price
CPH	Control Power Housing	\$420

### 5. PRIVACY SCREEN

Code	Description	Price
PS	Privacy Screen	\$300

### 6. MODESTY PANEL

Code	Description	Price
HMP	Half Modesty Panel	\$400
FMP	Full Modesty Panel	\$600

### 7. KEYBOARD PULL OUT SHELF

Code	Description	Price
KB	Keyboard Pull Out Shelf	\$270

### 8. CASTORS OR LEVELERS

Code	Description	Price
LL	Levelers	\$ 0
CT2	2.5" Castors	\$130

## ACCESSORIES & CUSTOMIZATION

### 9. HARDWARE

You may select multiple power options

Code	Description	Price
MIC	Gooseneck microphone	\$953
HL	High intensity gooseneck light	\$260
LCDM	LCD Monitor Vesa Mount	\$360
LCDM2	LCD Monitor Vesa Dual Mount	\$637

If selecting multiple hardware options, please note you may only select one Monitor Mount.

### 10. POWER

You may select multiple power options

Code	Description	Price
PB	Power Bar	\$120
AC4USB	AC4 Plus USB Chargers	\$210
CWG2	Lap top connection	\$637

### EGANINK

Specify EganINK on EVS, Glass, and acoustic/tackable materials. Please reach to our team for an EganINK quote with your custom art file.

### CUT OUT

Additional CUT OUTs are \$150 Please reach out to our team to specify location.

### ENGRAVINGS

Please reach to our team for an Engraving quote with your custom art file.

### HOW TO ORDER



# MPD26EATX-12 Height Adjustable Desk

Exterior or Interior	Feature	Feature Included
<b>Exterior Options</b>	Surface Color	Standard laminates and Edge matching.
	Door	Front Locking Door with piano hinge and with 7RU opening.
	Rear Access Panel	Locking Rear Removable Access Panel
	Metal Frame Construction	Powder coating metal frame construction. Available in 3 standard colors – Grey, Black and White
	Height Adjustable	8" height adjustable travel with Suspa hydraulic system
	Levelers	Levelers
<b>Interior Options</b>	Rack Rails	14RU Front and Rear Rack Rails
	Vent Panels	One Side panel, 9" x 18" and second side panel, 12" x 22.5"

## 1. PRODUCT CODE

Code	Description	Price
<b>MPD26TS-12</b>	44" W x 33"H x 26"D	\$6,980

## 2. ORIENTATION

Code	Description
<b>LS</b>	Left Side Overhang
<b>RS</b>	Right Side Overhang

## 3. EXTERIOR CREDENZA COLOR OPTIONS

### LAMINATES

Code	Description	Code	Description
<b>BW</b>	459-58 Brite White	<b>ST</b>	9319-BH Stainless
<b>BLK</b>	909-58 Black	<b>AB</b>	5784 Ashwood Bone
<b>BF</b>	8916-58 Blackened Fiberwood	<b>WWB</b>	6372 Whitewashed Birchply
<b>CO</b>	9374-43 Cocoa Oak	<b>SC</b>	7759-43 Select Cherry
<b>HW</b>	5788 Hazel Walnut	<b>NM</b>	9236-43 Noble Mahogany
<b>BE</b>	5793 Buff Elm	<b>CM</b>	7738-58 Cognac Maple
<b>PG</b>	902-58 Platinum Grey	<b>SM</b>	9237-58 Sand Maple
<b>GG</b>	9300-58 Gray Grafix	<b>HPL</b>	Custom High-Pressure Laminate
<b>CH</b>	8955-43 Cinnamon Cherry		

### CUSTOM LAMINATES

Code	Supplier & Laminate Code	Price
<b>FO##</b>	Formica - TBD	\$100
<b>WA##</b>	Wilson Art- TBD	
<b>PI##</b>	Pionite- TBD	
<b>NE##</b>	Nevamar- TBD	
<b>AR##</b>	Arborite- TBD	
Insert specific laminate code in place of ##		

For specialty compact laminates please call us at 1-800-263-2387 or email us at customerservice@egan.com

### WOOD STAINS

Standard veneer substrate is maple.

Code	Description	Price Upcharge
<b>HS</b>	Haystack	\$1,330
<b>WL</b>	Woodland	
<b>DW</b>	Driftwood	
<b>BB</b>	Barnboard	
<b>CB</b>	Carbon	
<b>NA</b>	Natural	
<b>CS</b>	Custom Stain	

# MPD26EATX-12 Height Adjustable Desk

Height Adjustable Tables & Desks

## 4. METAL COMPONENTS COLORS

- Metal Frame & Leg
- Vent Panels

Code	Description
SV	Silver
BL	Black
Wh	White

\*Note: One color selection for all metal components.

## INTERIOR RACKING OPTIONS

### 5 (A). FRONT RACK RAILS

Front Rack Rails			Rack Size Impact Other Options			
Code	Rack Rail	Availability	Front Door	Rear Access Panel	Levelers	Price
FR14	14RU	Included	Included	Included	Included	\$ 0

### 5 (B). FRONT RACK RAILS

Front Rack Rails			Rack Size Impact Other Options			
Code	Rack Rail	Availability	Front Door	Rear Access Panel	Levelers	Price
RR14	14RU	Included	Included	Included	Included	\$ 0

## EXTERIOR RACK

### 6. DOOR

Code	Description	Price
FLD	Front locking laminate door	\$ 0

### 7. LOCKS

Code	Description	Price
LK	Locks	\$ 0
NL	No Locks	\$ 0

### 8. SIDE SHELF

Code	Description	Price
SSL	Side Shelf Left	\$ 0
SSR	Side Shelf Right	\$ 0

### 9. LEVELERS OR CASTORS

Code	Description	Price
LL	Levelers	\$ 0
CT3	3.5" Castors	\$130

## ACCESSORIES & CUSTOMIZATION

### 10. POWER

You may select multiple power options

Code	Description	Price
PB	Power Bar	\$120
AC4USB	AC4 Plus USB Chargers	\$210
CWG2	Small Interactive Cable Well	\$637

### 9. HARDWARE

You may select multiple power options

Code	Description	Price
MIC	Gooseneck microphone	\$953
HL	High intensity gooseneck light	\$260

# MPD26EATX-12 Height Adjustable Desk

**EGANINK**

Specify EganINK on EVS, Glass, and acoustic/tackable materials. Please reach to our team for an EganINK quote with your custom art file.

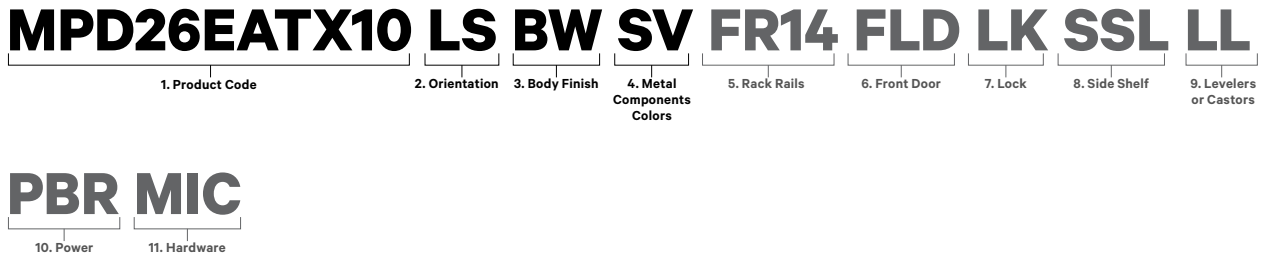
**CUT OUT**

Additional CUT OUTs are \$150. Please reach out to our team to specify location.

**ENGRAVINGS**

Please reach to our team for an Engraving quote with your custom art file.

**HOW TO ORDER**



# MPD30EATX Series Height Adjustable Desk

Height Adjustable Tables & Desks

Exterior or Interior	Feature	Feature Included
<b>Exterior Options</b>	Surface Color	Standard laminates with matching or non-matching edge banding
	Door	Front Locking Door with vent panel and piano hinge.
	Rear Access Panel	Locking Rear Removable Access Panel
	Metal Frame Construction	Powder coating metal frame construction. Available in 3 standard colors – Grey, Black and White
	Height Adjustable	8" height adjustable travel with Suspa hydraulic system
	Levelers	Levelers
<b>Interior Options</b>	Rack Rails	14RU Front and Rear Rack Rails
	Vent Panels	Front door, rear access panel and side panels

## 1. PRODUCT CODE

Code	Description	Price
<b>MPD-30TS-10</b>	46" W x 32.25"H x 30"D	\$6,905
<b>MPD-30TS-17</b>	75.75"W x 32.25"H x 30"D	\$8,311
<b>MPD-30TS-15</b>	63"W x 32.25"H x 30"D	\$8,930

## 2. ORIENTATION

Code	Description
<b>LS</b>	Left Side Overhang
<b>RS</b>	Right Side Overhang

## 3. EXTERIOR CREDENZA COLOR OPTIONS

### LAMINATES

Code	Description	Code	Description
<b>BW</b>	459-58 Brite White	<b>ST</b>	9319-BH Stainless
<b>BLK</b>	909-58 Black	<b>AB</b>	5784 Ashwood Bone
<b>BF</b>	8916-58 Blackened Fiberwood	<b>WVB</b>	6372 Whitewashed Birchply
<b>CO</b>	9374-43 Cocoa Oak	<b>SC</b>	7759-43 Select Cherry
<b>HW</b>	5788 Hazel Walnut	<b>NM</b>	9236-43 Noble Mahogany
<b>BE</b>	5793 Buff Elm	<b>CM</b>	7738-58 Cognac Maple
<b>PG</b>	902-58 Platinum Grey	<b>SM</b>	9237-58 Sand Maple
<b>GG</b>	9300-58 Gray Grafix	<b>HPL</b>	Custom High-Pressure Laminate
<b>CH</b>	8955-43 Cinnamon Cherry		

### CUSTOM LAMINATES

Code	Supplier & Laminate Code	Price Upcharge
<b>FO##</b>	Formica - TBD	Call for Quote
<b>WA##</b>	Wilson Art- TBD	
<b>PI##</b>	Pionite- TBD	
<b>NE##</b>	Nevamar- TBD	
<b>AR##</b>	Arborite- TBD	
Insert specific laminate code in place of ##		

For specialty compact laminates please call us at 1-800-263-2387 or email us at customerservice@egan.com

### WOOD STAINS

Standard veneer substrate is maple.

Code	Description	Price Upcharge
<b>HS</b>	Haystack	Call for Quote
<b>WL</b>	Woodland	
<b>DW</b>	Driftwood	
<b>BB</b>	Barnboard	
<b>CB</b>	Carbon	
<b>NA</b>	Natural	
<b>CS</b>	Custom Stain	

# MPD30EATX Series Height Adjustable Desk

## 4. METAL COMPONENTS COLORS

- Metal Frame & Leg
- Vent Panels

Code	Description
SV	Silver
BL	Black
Wh	White

\*Note: One color selection for all metal components.

## INTERIOR RACKING OPTIONS

### 5 (A). FRONT RACK RAILS

Front Rack Rails			Rack Size Impact Other Options			
Code	Rack Rail	Availability	Front Door	Rear Access Panel	Levelers	Price
FR14	14RU	Included	Included	Included	Included	\$ 0

### 5 (B). FRONT RACK RAILS

Front Rack Rails			Rack Size Impact Other Options			
Code	Rack Rail	Availability	Front Door	Rear Access Panel	Levelers	Price
RR14	14RU	Included	Included	Included	Included	\$ 0

## EXTERIOR RACK CABINET OPTIONS

### 6. DOOR

Code	Description	Price
FLD	Front locking laminate door	\$ 0
FLD2	2 Front Locking Door with Vent Panels	

### 7. LOCKS

Code	Description	Price
LK	Locks	\$ 0
NL	No Locks	\$ 0

### 8. LEVELERS OR CASTORS

Code	Description	Price
LL	Levelers	\$ 0
CT3	3.5" Castors	\$130

### 9. SIDE SHELF

Code	Description	Price
SSL	Side Shelf Left	\$260
SSR	Side Shelf Right	\$260
SSB	Both Left & Right Side Shelves	\$520

## ACCESSORIES & CUSTOMIZATION

### 10. POWER

You may select multiple power options

Code	Description	Price
PB	Power Bar	\$120
AC4USB	AC4 Plus USB Chargers	\$210
CWG2	Small Interactive Cable Well	\$637

### 11. HARDWARE

You may select multiple power options

Code	Description	Price
MIC	Gooseneck microphone	\$953
HL	High intensity gooseneck light	\$260



# MPD30EATX Series Height Adjustable Desk

## EGANINK

Specify EganINK on EVS, Glass, and acoustic/tackable materials. Please reach to our team for an EganINK quote with your custom art file.

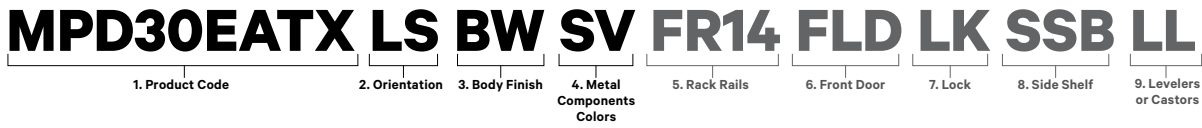
## CUT OUT

Additional CUT OUTs are \$150. Please reach out to our team to specify location.

## ENGRAVINGS

Please reach to our team for an Engraving quote with your custom art file.

## HOW TO ORDER



Height Adjustable Tables & Desks

# MPD3048 Height Adjustable Desk

Exterior or Interior	Feature	Feature Included
<b>Exterior Options</b>	Surface Color	Standard laminates with matching or non-matching edge banding
	Door	Front Locking Door with vent panel and piano hinge.
	Rear Access Panel	Locking Rear Removable Access Panel
	Metal Frame Construction	Powder coating metal frame construction. Available in 3 standard colors – Grey, Black and White
	Height Adjustable	8" height adjustable travel with Suspa hydraulic system
	Levelers	Levelers
<b>Interior Options</b>	Rack Rails	14RU Front and Rear Rack Rails
	Vent Panels	Front door, rear access panel and side panels

## 1. PRODUCT CODE

Code	Price
<b>MPD3048</b>	\$7,140

## 2. EXTERIOR CREDENZA COLOR OPTIONS

### LAMINATES

Code	Description	Code	Description
<b>BW</b>	459-58 Brite White	<b>ST</b>	9319-BH Stainless
<b>BLK</b>	909-58 Black	<b>AB</b>	5784 Ashwood Bone
<b>BF</b>	8916-58 Blackened Fiberwood	<b>WWB</b>	6372 Whitewashed Birchply
<b>CO</b>	9374-43 Cocoa Oak	<b>SC</b>	7759-43 Select Cherry
<b>HW</b>	5788 Hazel Walnut	<b>NM</b>	9236-43 Noble Mahogany
<b>BE</b>	5793 Buff Elm	<b>CM</b>	7738-58 Cognac Maple
<b>PG</b>	902-58 Platinum Grey	<b>SM</b>	9237-58 Sand Maple
<b>GG</b>	9300-58 Gray Grafix	<b>HPL</b>	Custom High-Pressure Laminate
<b>CH</b>	8955-43 Cinnamon Cherry		

### CUSTOM LAMINATES

Code	Supplier & Laminate Code	Price
<b>FO##</b>	Formica - TBD	\$200
<b>WA##</b>	Wilson Art- TBD	
<b>PI##</b>	Pionite- TBD	
<b>NE##</b>	Nevamar- TBD	
<b>AR##</b>	Arborite- TBD	
Insert specific laminate code in place of ##		

For specialty compact laminates please call us at 1-800-263-2387 or email us at customerservice@egan.com

### WOOD STAINS

Standard veneer substrate is maple.

Code	Description	Price
<b>HS</b>	Haystack	\$2,650
<b>WL</b>	Woodland	
<b>DW</b>	Driftwood	
<b>BB</b>	Barnboard	
<b>CB</b>	Carbon	
<b>NA</b>	Natural	
<b>CS</b>	Custom Stain	

# MPD3048 Height Adjustable Desk

Height Adjustable Tables & Desks

### 3. METAL COMPONENTS COLORS

- Metal Frame & Leg
- Vent Panels

Code	Description
SV	Silver
BL	Black
Wh	White

\*Note: One color selection for all metal components.

## INTERIOR RACKING OPTIONS

### 4 (A). FRONT RACK RAILS

Front Rack Rails			Rack Size Impact Other Options			
Code	Rack Rail	Availability	Front Door	Rear Access Panel	Levelers	Price
FR14	14RU	Available	Included	Included	Included	\$ 0

### 4 (B). FRONT RACK RAILS

Front Rack Rails			Rack Size Impact Other Options			
Code	Rack Rail	Availability	Front Door	Rear Access Panel	Levelers	Price
RR14	14RU	Available	Included	Included	Included	\$ 0

## EXTERIOR RACK CABINET OPTIONS

### 5. DOOR

Code	Description	Price
FLD	Front locking laminate door	\$ 0

### 6. LOCKS

Code	Description	Price
LK	Locks	\$ 0
NL	No Locks	\$ 0

### 7. LEVELERS OR CASTORS

Code	Description	Price
LL	Levelers	\$ 0
CT3	3.5" Castors	\$130

### 8. SIDE SHELF

Code	Description	Price
SSL	Side Shelf Left	\$260
SSR	Side Shelf Right	\$260
SSB	Both Left & Right Side Shelf	\$520

## ACCESSORIES & CUSTOMIZATION

### 9. POWER

You may select multiple power options

Code	Description	Price
PB	Power Bar	\$120
PBR	Power Bar Rack	\$260
AC4USB	AC4 Plus USB Chargers	\$210
CWG2	Lap top connection	\$637

### 10. HARDWARE

You may select multiple power options

Code	Description	Price
MIC	Gooseneck microphone	\$953
HL	High intensity gooseneck light	\$260
HAEX	12" of extra height adjustable travel	
LCDM	LCD Monitor Vesa Mount	\$637

# MPD3048 Height Adjustable Desk

## 11. FANS

Code	Description	Price
<b>QF1</b>	Quiet Fan - 1PK	\$200
<b>QF2</b>	Quiet Fan - 2PK	\$400
<b>TF1</b>	Thermo Fan - 1PK	\$270
<b>TF2</b>	Thermo Fan - 2PK	\$540

## 12. VENTILATION PANELS

You may select multiple ventilation panels

Code	Description	Price
<b>V15SV</b>	Vent Panel 3.5" X 15" – in Silver Color	\$110
<b>V15BL</b>	Vent Panel 3.5" X 15" – in Black Color	\$110
<b>V15WH</b>	Vent Panel 3.5" X 15" – in White Color	\$110
<b>V19SV</b>	Vent Panel 3.5" X 19" – in Silver Color	\$110
<b>V19BL</b>	Vent Panel 3.5" X 19" – in Black Color	\$110
<b>V19WH</b>	Vent Panel 3.5" X 19" – in White Color	\$110

Ventilation panel location is determined by engineering for maximum circulation of air flow.

## EGANINK

Specify EganINK on EVS, Glass, and acoustic/tackable materials. Please reach to our team for an EganINK quote with your custom art file.

## CUT OUT

Additional CUT OUTS are \$150. Please reach out to our team to specify location.

## ENGRAVINGS

Please reach to our team for an Engraving quote with your custom art file.

## HOW TO ORDER

**MPD3048 BW SV FR14 FLD LK LL SSB PBR MIC**

1. Product Code    2. Body Finish    3. Metal Components Colors    4. Rack Rails    5. Front Door    6. Lock    7. Levelers or Castors    8. Side Shelf    9. Power    10. Hardware

**QF1 V15SV**

11. Fan    12. Ventilation Panel

## Conference & Boardroom Tables

### ■ Conference & Boardroom Tables

---

- CT400
- CT600
- CT720
- CT730
- CT36
- VT500

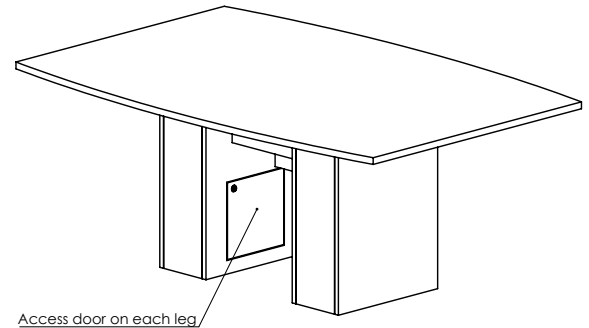
**EGAN**

**CONFERENCE &  
BOARDROOM TABLES**

**BUILT  
TO INSPIRE**

# CT400 Conference Table

Exterior or Interior	Feature	Feature Included
Exterior	Size	6ft, 8ft, 10ft, 12ft, 16ft, 20ft & 24ft sizes available
	Surface Top Shapes	Boat Shape (Standard)
	Surface Top Color	Standard laminates
	Edge Color	Edge matching edge banding
	Base Color	Matching Surface top Standard laminates
	Base	Multi-Box legs with cable trough
	Doors	Box leg access doors
	Levelers	Levelers



## 1. PRODUCT CODE

Code	Feature	Price
<b>CT400-6X4</b>	72"Lx48"Wx29"H (1 grain match surfaces – 2 box legs)	\$3,360
<b>CT400-8X4</b>	96"Lx48"Wx29"H (1 grain match surfaces – 2 box legs)	\$3,867
<b>CT400-10X4</b>	120"Lx48"Wx29"H (2 grain match surfaces – 3 box legs)	\$4,612
<b>CT400-12X4</b>	144"Lx48"Wx29"H (2 grain match surfaces – 3 box legs)	\$5,059
<b>CT400-14X4</b>	168"Lx48"Wx29"H (2 grain match surfaces – 3 box legs)	\$5,059
<b>CT400-16X4</b>	192"Lx48"Wx29"H (2 grain match surfaces – 3 box legs)	\$6,509
<b>CT400-20X4</b>	240"Lx48"Wx29"H (3 grain match surfaces – 4 box legs)	\$7,150
<b>CT400-24X4</b>	288"Lx48"Wx29"H (3 grain match surfaces – 4 box legs)	\$8,269
<b>CT400-6X5</b>	72"Lx60"Wx29"H (1 grain match surfaces – 2 box legs)	\$3,617
<b>CT400-8X5</b>	96"Lx60"Wx29"H (1 grain match surfaces – 2 box legs)	\$4,131
<b>CT400-10X5</b>	120"Lx60"Wx29"H (2 grain match surfaces – 3 box legs)	\$4,911
<b>CT400-12X5</b>	144"Lx60"Wx29"H (2 grain match surfaces – 3 box legs)	\$5,457
<b>CT400-14X5</b>	168"Lx60"Wx29"H (2 grain match surfaces – 3 box legs)	\$6,163
<b>CT400-16X5</b>	192"Lx60"Wx29"H (2 grain match surfaces – 3 box legs)	\$6,931
<b>CT400-20X5</b>	240"Lx60"Wx29"H (3 grain match surfaces – 4 box legs)	\$6,993
<b>CT400-24X5</b>	288"Lx60"Wx29"H (3 grain match surfaces – 4 box legs)	\$8,598

## 2. SURFACE TOP SHAPES

Code	Feature	Price
<b>BT</b>	Boat – Standard	\$ 0
<b>RT</b>	Racetrack	\$495
<b>RAE</b>	Rectangle Arc Ends	\$495
<b>TR</b>	Trapezoid	\$495
<b>TAE</b>	Trapezoid Arc Ends	\$495
<b>BTAE</b>	Boat Arc Ends	\$495
<b>DS</b>	D Shape	\$495
<b>RW</b>	Raceway	\$495

# CT400 Conference Table

Conference & Boardroom Tables

## 3. WORK SURFACE & RACK CABINET SURFACE FINISH

### LAMINATES

Code	Description	Code	Description
<b>BW</b>	459-58 Brite White	<b>ST</b>	9319-BH Stainless
<b>BLK</b>	909-58 Black	<b>AB</b>	5784 Ashwood Bone
<b>BF</b>	8916-58 Blackened Fiberwood	<b>WWB</b>	6372 Whitewashed Birchply
<b>CO</b>	9374-43 Cocoa Oak	<b>SC</b>	7759-43 Select Cherry
<b>HW</b>	5788 Hazel Walnut	<b>NM</b>	9236-43 Noble Mahogany
<b>BE</b>	5793 Buff Elm	<b>CM</b>	7738-58 Cognac Maple
<b>PG</b>	902-58 Platinum Grey	<b>SM</b>	9237-58 Sand Maple
<b>GG</b>	9300-58 Gray Grafix	<b>HPL</b>	Custom High-Pressure Laminate
<b>CH</b>	8955-43 Cinnamon Cherry		

### CUSTOM LAMINATES

Code	Supplier & Laminate Code	Price
<b>FO##</b>	Formica - TBD	Call for Quote
<b>WA##</b>	Wilson Art- TBD	
<b>PI##</b>	Pionite- TBD	
<b>NE##</b>	Nevamar- TBD	
<b>AR##</b>	Arborite- TBD	
Insert specific laminate code in place of ##		

For specialty compact laminates please call us at 1-800-263-2387 or email us at [customerservice@egan.com](mailto:customerservice@egan.com)

### WOOD STAINS

Standard veneer substrate is maple.

Code	Description	Price
<b>HS</b>	Haystack	Call for Quote
<b>WL</b>	Woodland	
<b>DW</b>	Driftwood	
<b>BB</b>	Barnboard	
<b>CB</b>	Carbon	
<b>NA</b>	Natural	
<b>CS</b>	Custom Stain	

## ACCESSORIES & CUSTOMIZATION

### 4. POWER

You may select multiple power options

Code	Description	Price
<b>PB</b>	Power Bar	\$120
<b>LC500</b>	Lap top Connection	\$600
<b>AC4USB</b>	AC4 Plus USB Chargers	\$210
<b>CWG2</b>	Small Interactive Cable Well	\$637

### EGANINK

Specify EganINK on EVS, Glass, and acoustic/tackable materials. Please reach to our team for an EganINK quote with your custom art file.

### CUT OUT

Additional CUT OUTs are \$150. Please reach out to our team to specify location.

### ENGRAVINGS

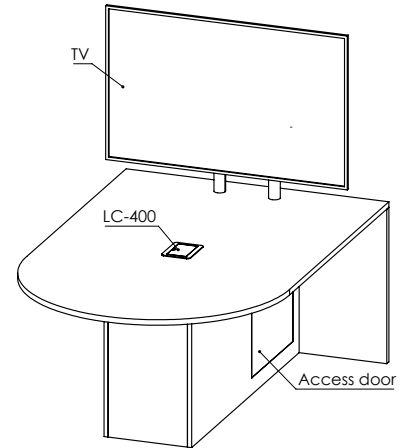
Please reach to our team for an Engraving quote with your custom art file.

### HOW TO ORDER



# CT600 Conference Table

Exterior or Interior	Feature	Feature Included
Exterior	Surface Color	Standard laminates
	Edge Color	Edge matching or non-matching edge banding
	Base Color	Standard laminates
	Doors	Side Access Doors
	TV Mount	DP-200 Mount Included (TV Not Included)
	Levelers	Levelers



Conference & Boardroom Tables

## 1. PRODUCT CODE

Code	Feature	Price
CT600BH-6X4-BT	72" Lx48" Wx29"H	\$5,642
CT600BH-8X4-BT	96" Lx48" Wx29"H	\$5,889
CT600BH-6X5-BT	72" Lx60" Wx29"H	\$5,951
CT600BH-8X5-BT	96" Lx60" Wx29"H	\$6,259

## 2. SURFACE TOP SHAPES

Code	Feature	Price
BT	Boat – Standard	\$ 0
RT	Racetrack	\$495
RAE	Rectangle Arc Ends	\$495
TR	Trapezoid	\$495
TAE	Trapezoid Arc Ends	\$495
BTAE	Boat Arc Ends	\$495
DS	D Shape	\$495
RW	Raceway	\$495

## 3. WORK SURFACE & RACK CABINET SURFACE FINISH

### LAMINATES

Code	Description	Code	Description
BW	459-58 Brite White	ST	9319-BH Stainless
BLK	909-58 Black	AB	5784 Ashwood Bone
BF	8916-58 Blackened Fiberwood	WWB	6372 Whitewashed Birchply
CO	9374-43 Cocoa Oak	SC	7759-43 Select Cherry
HW	5788 Hazel Walnut	NM	9236-43 Noble Mahogany
BE	5793 Buff Elm	CM	7738-58 Cognac Maple
PG	902-58 Platinum Grey	SM	9237-58 Sand Maple
GG	9300-58 Gray Grafix	HPL	Custom High-Pressure Laminate
CH	8955-43 Cinnamon Cherry		

### CUSTOM LAMINATES

Code	Supplier & Laminate Code	Price
FO##	Formica - TBD	Call for Quote
WA##	Wilson Art- TBD	
PI##	Pionite- TBD	
NE##	Nevamar- TBD	
AR##	Arborite- TBD	
Insert specific laminate code in place of ##		

For specialty compact laminates please call us at 1-800-263-2387 or email us at customerservice@egan.com

### WOOD STAINS

Standard veneer substrate is maple.

Code	Description	Price
HS	Haystack	Call for Quote
WL	Woodland	
DW	Driftwood	
BB	Barnboard	
CB	Carbon	
NA	Natural	
CS	Custom Stain	



# CT600 Conference Table

## 4. TABLE HEIGHT

Code	Description	Price
<b>BH</b>	Bar Height - 42"	\$900
<b>LIFT</b>	Height Adjustable option with Lift mechanism. Lift range from 29" to 42".	\$1,500

## 5. HARDWARE

Code	Description	Price
<b>DP200</b>	Single TV mount, 37" – 85" camera mount included	\$1,160
<b>DP400</b>	Dual TV mount – Maximum 65"x2 – Camera mount included 4	\$1,580
<b>TT200</b>	Tabletop flat panel mount, single TV mount holds most 37" to 85" TV's	\$960

## 6. POWER

You may select multiple power options

Code	Description	Price
<b>PB</b>	Power Bar	\$120
<b>LC500</b>	Lap top Connection	\$600
<b>AC4USB</b>	AC4 Plus USB Chargers	\$210
<b>CWG2</b>	Lap top connection	\$637

## EGANINK

Specify EganINK on EVS, Glass, and acoustic/tackable materials. Please reach to our team for an EganINK quote with your custom art file.

## CUT OUT

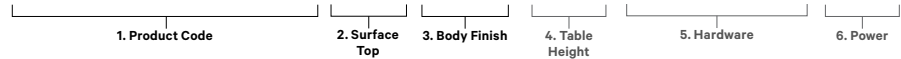
Additional CUT OUTs are \$150. Please reach out to our team to specify location.

## ENGRAVINGS

Please reach to our team for an Engraving quote with your custom art file.

## HOW TO ORDER

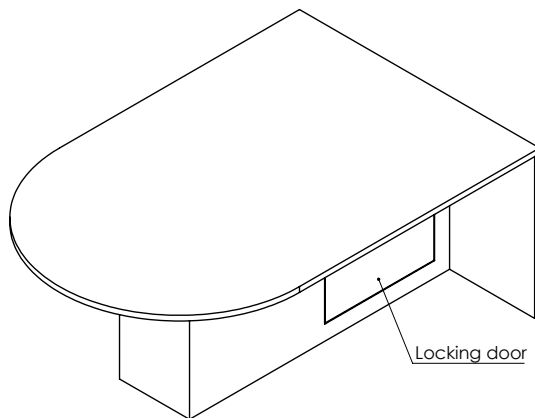
**CT600-8x4 DS BW BH DP200 PB**



Conference & Boardroom Tables

# CT720 Conference Table

Exterior or Interior	Feature	Feature Included
Exterior	Surface Color	Standard laminates
	Edge Color	Matching edge banding
	Base Color	Matching Surface Top standard laminates
	Wall	Double Wall
	Wall Color	Matching Surface Top standard laminates
	Doors	Locking Side Access Door
	Levelers	Levelers



## 1. PRODUCT CODE

Code	Feature	Price
CT720-6	72"Lx48"Wx30"H	\$4,020
CT720-8	96"Lx48"Wx30"H	\$4,620
CT720-10	120"Lx48"Wx30"H	\$5,114
CT720-6X5	72"Lx60"Wx30"H	\$4,267
CT720-8X5	96"Lx60"Wx30"H	\$4,514
CT720-10X5	120"Lx60"Wx30"H	\$5,748

## 2. SURFACE TOP SHAPES

Code	Feature	Price
DS	D Shape	\$ 0
RAE	Rectangle Arc Ends	\$495
TR	Trapezoid	\$495
TAE	Trapezoid Arc Ends	\$495
BT	Boat	\$495
BTAE	Boat Arc Ends	\$495

## 3. SURFACE COLOR

### LAMINATES

Code	Description	Code	Description
BW	459-58 Brite White	ST	9319-BH Stainless
BLK	909-58 Black	AB	5784 Ashwood Bone
BF	8916-58 Blackened Fiberwood	WWB	6372 Whitewashed Birchply
CO	9374-43 Cocoa Oak	SC	7759-43 Select Cherry
HW	5788 Hazel Walnut	NM	9236-43 Noble Mahogany
BE	5793 Buff Elm	CM	7738-58 Cognac Maple
PG	902-58 Platinum Grey	SM	9237-58 Sand Maple
GG	9300-58 Gray Grafix	HPL	Custom High-Pressure Laminate
CH	8955-43 Cinnamon Cherry		

### CUSTOM LAMINATES

Code	Supplier & Laminate Code	Price
FO##	Formica - TBD	Call for Quote
WA##	Wilson Art- TBD	
PI##	Pionite- TBD	
NE##	Nevamar- TBD	
AR##	Arborite- TBD	
Insert specific laminate code in place of ##		

For specialty compact laminates please call us at 1-800-263-2387 or email us at customerservice@egan.com

### WOOD STAINS

Standard veneer substrate is maple.

Code	Description	Price
HS	Haystack	Call for Quote
WL	Woodland	
DW	Driftwood	
BB	Barnboard	
CB	Carbon	
NA	Natural	
CS	Custom Stain	

# CT720 Conference Table

## 4. TABLE HEIGHT

Code	Description	Price
<b>BH</b>	Bar Height - 42"	\$900
<b>LIFT</b>	Height Adjustable option with Lift mechanism. Lift range from 29" to 42".	\$1,500

## 5. POWER

You may select multiple power options

Code	Description	Price
<b>AC4USB</b>	AC4 Plus USB Chargers	\$210
<b>CWG2</b>	Small Interactive Cable Well	\$637
<b>LC500</b>	Large Interactive Cable Well	\$600
<b>PB</b>	Power Bar	\$120

## 6. TV MOUNT

Code	Description	Price
<b>WM</b>	Wall Mount – comes with plasma mount	\$210
<b>FMT</b>	Flush Mount TV (Recess mount)	\$1,605

## EGANINK

Specify EganINK on EVS, Glass, and acoustic/tackable materials. Please reach to our team for an EganINK quote with your custom art file.

## CUT OUT

Additional CUT OUTs are \$150. Please reach out to our team to specify location.

## ENGRAVINGS

Please reach to our team for an Engraving quote with your custom art file.

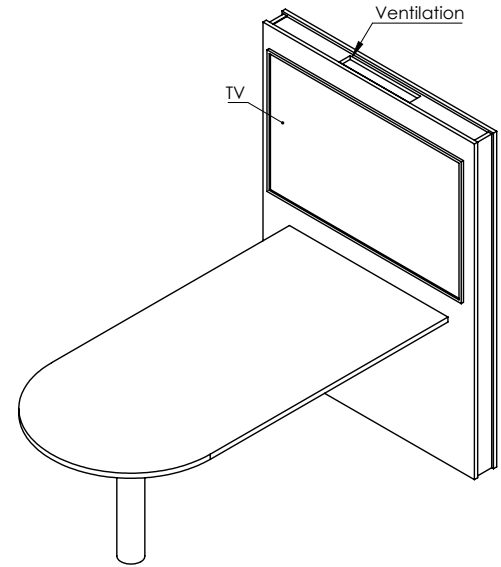
## HOW TO ORDER



Conference & Boardroom Tables

# CT730 Conference Table

Exterior or Interior	Feature	Feature Included
Exterior	Surface Color	Standard laminates
	Edge Color	Matching or non-matching edge banding
	Post Leg Color	Colors – Black, Grey and White
	Wall	Wall Panel to support TV mount.
	Levelers	Levelers



## 1. PRODUCT CODE

Code	Feature	Price
<b>CT730-6</b>	72"Lx36"Wx29"H	\$4,620
<b>CT730-8</b>	96"Lx36"Wx29"H (Require 2 pedestals)	\$5,114

## 2. SURFACE TOP SHAPES

Code	Feature	Price
<b>DS</b>	D Shape	\$ 0
<b>RAE</b>	Rectangle Arc Ends	\$495
<b>TR</b>	Trapezoid	\$495
<b>TAE</b>	Trapezoid Arc Ends	\$495
<b>BT</b>	Boat	\$495
<b>BTAE</b>	Boat Arc Ends	\$495

## 3. SURFACE COLOR

### LAMINATES

Code	Description	Code	Description
<b>BW</b>	459-58 Brite White	<b>ST</b>	9319-BH Stainless
<b>BLK</b>	909-58 Black	<b>AB</b>	5784 Ashwood Bone
<b>BF</b>	8916-58 Blackened Fiberwood	<b>WWB</b>	6372 Whitewashed Birchply
<b>CO</b>	9374-43 Cocoa Oak	<b>SC</b>	7759-43 Select Cherry
<b>HW</b>	5788 Hazel Walnut	<b>NM</b>	9236-43 Noble Mahogany
<b>BE</b>	5793 Buff Elm	<b>CM</b>	7738-58 Cognac Maple
<b>PG</b>	902-58 Platinum Grey	<b>SM</b>	9237-58 Sand Maple
<b>GG</b>	9300-58 Gray Grafix	<b>HPL</b>	Custom High-Pressure Laminate
<b>CH</b>	8955-43 Cinnamon Cherry		

### CUSTOM LAMINATES

Code	Supplier & Laminate Code	Price
<b>FO##</b>	Formica - TBD	Call for Quote
<b>WA##</b>	Wilson Art- TBD	
<b>PI##</b>	Pionite- TBD	
<b>NE##</b>	Nevamar- TBD	
<b>AR##</b>	Arborite- TBD	
Insert specific laminate code in place of ##		

For specialty compact laminates please call us at 1-800-263-2387 or email us at customerservice@egan.com

### WOOD STAINS

Standard veneer substrate is maple.

Code	Description	Price
<b>HS</b>	Haystack	Call for Quote
<b>WL</b>	Woodland	
<b>DW</b>	Driftwood	
<b>BB</b>	Barnboard	
<b>CB</b>	Carbon	
<b>NA</b>	Natural	
<b>CS</b>	Custom Stain	

# CT730 Conference Table

## 4. LEG BASE COLOR

Code	Description
BL	Black Leg
GR	Grey
WH	White

## 5. POWER

You may select multiple power options

Code	Description	Price
PB	Power Bar	\$120
AC4USB	AC4 Plus USB Chargers	\$210
CWG2	Small Interactive Cable Well	\$637
LC500	Large Interactive Cable Well	\$600

## EGANINK

Specify EganINK on EVS, Glass, and acoustic/tackable materials. Please reach to our team for an EganINK quote with your custom art file.

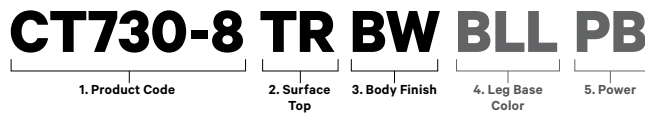
## CUT OUT

Additional CUT OUTs are \$150. Please reach out to our team to specify location.

## ENGRAVINGS

Please reach to our team for an Engraving quote with your custom art file.

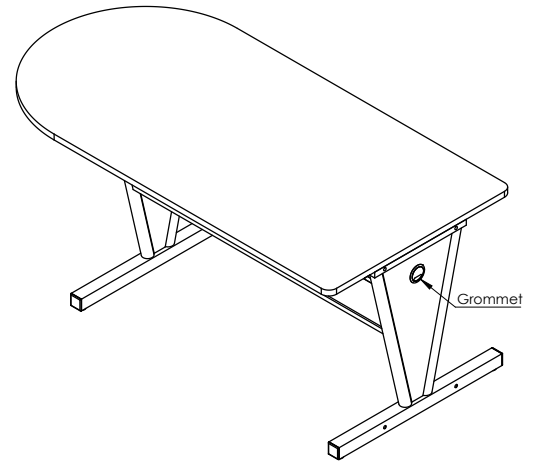
## HOW TO ORDER



Conference & Boardroom Tables

# CT-36 Conference Table

Exterior or Interior	Feature	Feature Included
Exterior	Surface Color	Standard laminates
	Edge Color	Edge matching and non-matching edge banding
	Base Color	Matching Surface Top standard laminates
	Access Door	Locking Access Door
	Levelers	Levelers



## 1. PRODUCT CODE

Code	Feature	Price
<b>CT3672</b>	72" Lx36" Wx29"H	\$4,750
<b>CT3696</b>	96" Lx36" Wx29"H	\$5,738

## 2. SURFACE TOP SHAPES

Code	Feature	Price
<b>DS</b>	D Shape	\$ 0
<b>RAE</b>	Rectangle Arc Ends	\$495
<b>TR</b>	Trapezoid	\$495
<b>TAE</b>	Trapezoid Arc Ends	\$495
<b>BT</b>	Boat	\$495
<b>BTAE</b>	Boat Arc Ends	\$495

## 3. SURFACE COLOR

### LAMINATES

Code	Description	Code	Description
<b>BW</b>	459-58 Brite White	<b>ST</b>	9319-BH Stainless
<b>BLK</b>	909-58 Black	<b>AB</b>	5784 Ashwood Bone
<b>BF</b>	8916-58 Blackened Fiberwood	<b>WWB</b>	6372 Whitewashed Birchply
<b>CO</b>	9374-43 Cocoa Oak	<b>SC</b>	7759-43 Select Cherry
<b>HW</b>	5788 Hazel Walnut	<b>NM</b>	9236-43 Noble Mahogany
<b>BE</b>	5793 Buff Elm	<b>CM</b>	7738-58 Cognac Maple
<b>PG</b>	902-58 Platinum Grey	<b>SM</b>	9237-58 Sand Maple
<b>GG</b>	9300-58 Gray Grafix	<b>HPL</b>	Custom High-Pressure Laminate
<b>CH</b>	8955-43 Cinnamon Cherry		

### CUSTOM LAMINATES

Code	Supplier & Laminate Code	Price
<b>FO##</b>	Formica - TBD	Call for Quote
<b>WA##</b>	Wilson Art- TBD	
<b>PI##</b>	Pionite- TBD	
<b>NE##</b>	Nevamar- TBD	
<b>AR##</b>	Arborite- TBD	
Insert specific laminate code in place of ##		

For specialty compact laminates please call us at 1-800-263-2387 or email us at customerservice@egan.com

### WOOD STAINS

Standard veneer substrate is maple.

Code	Description	Price
<b>HS</b>	Haystack	Call for Quote
<b>WL</b>	Woodland	
<b>DW</b>	Driftwood	
<b>BB</b>	Barnboard	
<b>CB</b>	Carbon	
<b>NA</b>	Natural	
<b>CS</b>	Custom Stain	

# CT-36 Conference Table

## 4. LEVELERS / CASTORS

Code	Description	Price
LL	Levelers	\$111
CT2	2.5" Castors – 2 Locking, 2 Non-Locking	\$130

## 5. HARDWARE

Code	Description	Price
TT200	Tabletop flat panel mount, holds most 37" to 65 TV's	\$960

## 6. POWER

You may select multiple power options

Code	Description	Price
PB	Power Bar	\$120
AC4USB	AC4 Plus USB Chargers	\$210
CWG2	Small Interactive Cable Well	\$637
LC500	Large Interactive Cable Well	\$600

## EGANINK

Specify EganINK on EVS, Glass, and acoustic/tackable materials. Please reach to our team for an EganINK quote with your custom art file.

## CUT OUT

Additional CUT OUTs are \$150. Please reach out to our team to specify location.

## ENGRAVINGS

Please reach to our team for an Engraving quote with your custom art file.

## HOW TO ORDER

**CT3672 TR BW LL LC500**

1. Product Code

2. Surface Top

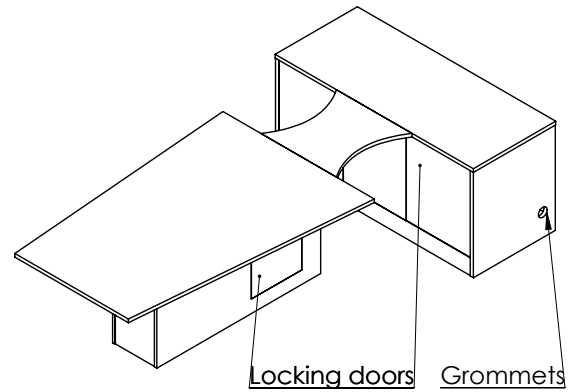
3. Body Finish

4. Levelers & Castors

5. Power

# VT500 Conference Table

Exterior or Interior	Feature	Feature Included
Exterior	Surface Color	Standard laminates
	Edge Color	Matching or non-matching edge banding
	Doors	Front Locking Doors
	Side Access Panel	Locking Side Access Panel
	Rack	12RU (3 pairs – front rack rails)
	Levelers	Levelers



## 1. PRODUCT CODE

Code	Feature	Price
<b>VT500</b>	122-1/16"Lx62-7/8"Wx29"H	\$8,040

## 2. EXTERIOR TABLE & RACK CABINETS COLOR OPTIONS

Select for exterior table options and exterior cabinet options.

### LAMINATES

Code	Description	Code	Description
<b>BW</b>	459-58 Brite White	<b>ST</b>	9319-BH Stainless
<b>BLK</b>	909-58 Black	<b>AB</b>	5784 Ashwood Bone
<b>BF</b>	8916-58 Blackened Fiberwood	<b>WWB</b>	6372 Whitewashed Birchply
<b>CO</b>	9374-43 Cocoa Oak	<b>SC</b>	7759-43 Select Cherry
<b>HW</b>	5788 Hazel Walnut	<b>NM</b>	9236-43 Noble Mahogany
<b>BE</b>	5793 Buff Elm	<b>CM</b>	7738-58 Cognac Maple
<b>PG</b>	902-58 Platinum Grey	<b>SM</b>	9237-58 Sand Maple
<b>GG</b>	9300-58 Gray Grafix	<b>HPL</b>	Custom High-Pressure Laminate
<b>CH</b>	8955-43 Cinnamon Cherry		

### WOOD STAINS

Standard veneer substrate is maple.

Code	Description	Price Upcharge
<b>HS</b>	Haystack	\$3,980
<b>WL</b>	Woodland	
<b>DW</b>	Driftwood	
<b>BB</b>	Barnboard	
<b>CB</b>	Carbon	
<b>NA</b>	Natural	
<b>CS</b>	Custom Stain	Call for Quote

### CUSTOM LAMINATES

Code	Supplier & Laminate Code	Code	Supplier & Laminate Code
<b>FO##</b>	Formica - TBD	<b>NE##</b>	Nevamar- TBD
<b>WA##</b>	Wilson Art- TBD	<b>AR##</b>	Arborite- TBD
<b>PI##</b>	Pionite- TBD		
Price of custom laminate: \$300			
Insert specific laminate code in place of ##			

For specialty compact laminates please call us at 1-800-263-2387 or email us at customerservice@egan.com

## 3. LEVELERS

Code	Description	Price
<b>LL</b>	Levelers	\$111

## INTERIOR RACK CABINET OPTIONS

### 4 (A). FRONT RACK RAILS

Front Rack Rails			Rack Size Impact Other Options		
Code	Rack Rail	Availability	Front Door	Adjustable Shelves	Price
<b>FR14</b>	14RU	Included	Included	Not Available	\$160



# VT500 Conference Table

## 4 (B). REAR RACK RAILS

Rear Rack Rails			Rack Size Impact Other Options		
Code	Rack Rail	Availability	Front Door	Adjustable Shelves	Price
RR14	14RU	Available	Included	Not Available	\$160

## 5. ADJUSTABLE SHELVES

Code	Description	Price
AS	Adjustable Shelf	\$130

You cannot order Adjustable Shelves with rack rails

## EXTERIOR CABINET OPTIONS

### 6. DOORS

Code	Description	Price
FLD	Front Locking Cabinet Doors	\$300

### 7. LOCKS

Code	Description	Price
LK	Regular Locks	\$ 0
NL	No Lock	\$ 0
COM	Custom Locks	Call for Quote

For custom order lock requests please call us at 1-800-263-2387 or email us at customerservice@egan.com

## ACCESSORIES & CUSTOMIZATIONS

### 8. POWER

You may select multiple power options

Code	Description	Price
AC4USB	AC4 Plus USB Chargers	\$210
CWG2	Small Interactive Cable Well	\$637
LC500	Large Interactive Cable Well	\$600
PB	Power Bar	\$120
PBR	Power Bar Rack	\$260

### 9. HARDWARE

Code	Description	Price
DP200	Dual pole TV mount, 37" – 85" TV, camera mount included	\$1,160
DP400	Dual TV mount – Maximum 65"x2 – Camera mount included 4	\$1,580
TT200	Tabletop flat panel mount, holds most 37" to 85" TV's	\$960
TT400	Tabletop dual flat panel mount – maximum two 65" TV's	\$1,430

### 10. FANS

Code	Description	Price
QF1	Quiet Fan - 1PK	\$200
QF2	Quiet Fan - 2PK	\$400
TF1	Thermo Fan - 1PK	\$270
TF2	Thermo Fan - 2PK	\$500

### 11. VENTILATION PANELS

Code	Description	Price
V3X15SL	Vent Panel 3.5" X 15" – in Silver Color	\$110
V3X15BL	Vent Panel 3.5" X 15" – in Black Color	\$110
V3X15WH	Vent Panel 3.5" X 15" – in White Color	\$110
V3X19SL	Vent Panel 3.5" X 19" – in Silver Color	\$110
V3X19BL	Vent Panel 3.5" X 19" – in Black Color	\$110
V3X19WH	Vent Panel 3.5" X 19" – in White Color	\$110

### EGANINK

Specify EganINK on EVS, Glass, and acoustic/tackable materials. Please reach to our team for an EganINK quote with your custom art file.

### CUT OUT

Additional CUT OUTs are \$150. Please reach out to our team to specify location.

# VT500 Conference Table

## ENGRAVINGS

Please reach to our team for an Engraving quote with your custom art file.

## HOW TO ORDER



## AV Instructor Desks

### ■ AV Instructor Desks

---

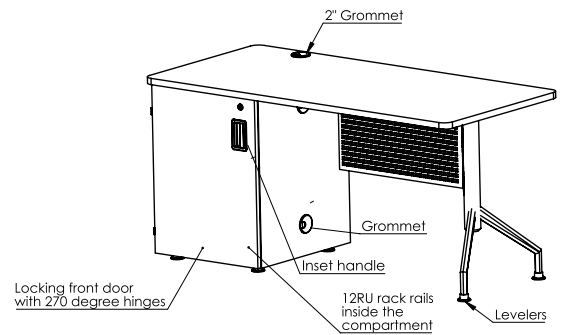
- DS100
- DS600
- DS600L
- DS680
- DS720
- DS3040

# AV INSTRUCTOR DESKS

**BUILT  
TO INSPIRE**

# DS100 Desk

Exterior or Interior	Feature	Feature Included
<b>Exterior</b>	Desk & Rack Cabinet Color	Standard laminates
	Edge Color	Matching edge banding to standard laminates
	Rack Cabinet	Rack Cabinet with 14RU for front rack rails with levelers
	Rack Cabinet Orientation	Available on Left or Right side
	Rack Cabinet Door	Front Locking Door
	Removeable Rear Access Panel	Removable Locking Rear Removeable Panel with vent
	Modesty screen with leg support	Perforated Modesty screen with leg support available in silver, black and white
	Levelers	Levelers
<b>Interior</b>	Front Rack Rails	14 RU Front Rack Rails



AV Instructor Desks

### 1. PRODUCT CODE

Code	Feature	Price
<b>DS100</b>	60" W x 29"H x 28"D	\$3,580

### 2. RACK CABINET ORIENTATION

Code	Feature
<b>LS</b>	Rack Cabinet on Left Side
<b>RS</b>	Rack Cabinet on Right Side

### 3. EXTERIOR DESK & RACK CABINET COLOR OPTIONS

#### LAMINATES

Code	Description	Code	Description
<b>BW</b>	459-58 Brite White	<b>ST</b>	9319-BH Stainless
<b>BLK</b>	909-58 Black	<b>AB</b>	5784 Ashwood Bone
<b>BF</b>	8916-58 Blackened Fiberwood	<b>WWB</b>	6372 Whitewashed Birchply
<b>CO</b>	9374-43 Cocoa Oak	<b>SC</b>	7759-43 Select Cherry
<b>HW</b>	5788 Hazel Walnut	<b>NM</b>	9236-43 Noble Mahogany
<b>BE</b>	5793 Buff Elm	<b>CM</b>	7738-58 Cognac Maple
<b>PG</b>	902-58 Platinum Grey	<b>SM</b>	9237-58 Sand Maple
<b>GG</b>	9300-58 Gray Grafix	<b>HPL</b>	Custom High-Pressure Laminate
<b>CH</b>	8955-43 Cinnamon Cherry		

#### CUSTOM LAMINATES

Code	Supplier & Laminate Code	Price Upcharge
<b>FO##</b>	Formica - TBD	\$100
<b>WA##</b>	Wilson Art- TBD	
<b>PI##</b>	Pionite- TBD	
<b>NE##</b>	Nevamar- TBD	
<b>AR##</b>	Arborite- TBD	
Insert specific laminate code in place of ##		

For specialty compact laminates please call us at 1-800-263-2387 or email us at customerservice@egan.com

#### WOOD STAINS

Standard veneer substrate is maple.

Code	Description	Price Upcharge
<b>HS</b>	Haystack	\$1,330
<b>WL</b>	Woodland	
<b>DW</b>	Driftwood	
<b>BB</b>	Barnboard	
<b>CB</b>	Carbon	
<b>NA</b>	Natural	Call for Quote
<b>CS</b>	Custom Stain	

# DS100 Desk

## 4. METAL SCREEN PANEL & LEGS COLOR & REAR ACCESS VENT

Code	Description
MGR	Grey
MBL	Black
MWH	White

## DESK OPTIONS

### 5. WORK SURFACE SIZE

Code	Description	Price
SWS	Sloped Work Surface	\$ 0
LWS	Large Work Surface – ADA Compliant	\$427

### 6. DASH

Code	Description	Price
CPH	Control Power Housing	\$420

### 7. KEYBOARD PULL OUT SHELF

Code	Description	Price
NKB	No Keyboard Pull Out Shelf	\$ 0
KB	Keyboard Pull Out Shelf	\$270

### 8. CASTORS OR LEVELERS

Code	Description	Price
LL	Levelers	\$ 0
CT2	2.5" Castors	\$130

## INTERIOR RACK CABINET OPTIONS

### 9 (A). FRONT RACK RAILS

Front Rack Rails			Rack Size Impact Other Options			
Code	Rack Rail	Availability	Front Door (Style determined by Rack Rail sizing)	Adjustable Shelves	Castors	Price
FR12	12RU	Available	Included	Not Available	2.5" Castors	\$150
FR14	14RU	Included	Included	Not Available	Levelers	\$ 0

### 9 (B). REAR RACK RAILS

Rear Rack Rails			Rack Size Impact Other Options			
Code	Rack Rail	Availability	Front Door (Style determined by Rack Rail sizing)	Adjustable Shelves	Castors	Price
RR12	12RU	Available	Included	Not Available	2.5" Castors	\$150
RR14	14RU	Available	Included	Not Available	Levelers	\$ 0

### 9. ADJUSTABLE SHELVES

Code	Description	Price
AS	Adjustable Shelf	\$ 0

You cannot order Adjustable Shelves with rack rails

# DS100 Desk

## EXTERIOR RACK CABINET OPTIONS

### 10. DOORS

Code	Description	Price
<b>FLD</b>	Front Locking Door	\$ 0
<b>NSFD</b>	No Solid Front Door	\$ 0

### 12. SIDE SHELF

Code	Description	Price
<b>SSL</b>	Side Shelf Left	\$260
<b>SSR</b>	Side Shelf Right	\$260

### 11. LOCKS

Code	Description	Price
<b>LK</b>	Locks	\$ 0
<b>NLK</b>	No Locks	\$ 0
<b>COM</b>	Custom Locks	Call for Quote

For custom order lock requests please call us at 1-800-263-2387 or email us at customerservice@egan.com

## ACCESSORIES & CUSTOMIZATION

### 13. POWER

You may select multiple power options

Code	Description	Price
<b>PB</b>	Power Bar	\$120
<b>PBR</b>	Power Bar Rack	\$260
<b>AC4USB</b>	AC4 Plus USB Chargers	\$210
<b>CWG2</b>	Small Interactive Cable Well	\$637

### 14. HARDWARE

Code	Description	Price
<b>LCDM</b>	LCD Monitor Vesa Mount	\$360
<b>LCDM2</b>	LCD Monitor Vesa Dual Mount	\$637

If selecting multiple hardware options, please note you may only select one Monitor Mount.

### 15. FAN

Code	Description	Price
<b>QF1</b>	Quiet Fan - 1PK	\$200
<b>QF2</b>	Quiet Fan - 2PK	\$400
<b>TF1</b>	Thermo Fan - 1PK	\$270
<b>TF2</b>	Thermo Fan - 2PK	\$540

### 16. VENTILATION PANELS

You may select multiple ventilation panels

Code	Description	Price
<b>V15SV</b>	Vent Panel 3.5" X 15" – in Silver Color	\$110
<b>V15BL</b>	Vent Panel 3.5" X 15" – in Black Color	\$110
<b>V15WH</b>	Vent Panel 3.5" X 15" – in White Color	\$110
<b>V19SV</b>	Vent Panel 3.5" X 19" – in Silver Color	\$110
<b>V19BL</b>	Vent Panel 3.5" X 19" – in Black Color	\$110
<b>V19WH</b>	Vent Panel 3.5" X 19" – in White Color	\$110

Ventilation panel location is determined by engineering for maximum circulation of air flow.

### EGANINK

Specify EganINK on EVS, Glass, and acoustic/tackable materials. Please reach to our team for an EganINK quote with your custom art file.

### CUT OUT

Additional CUT OUTs are \$150. Please reach out to our team to specify location.

### ENGRAVINGS

Please reach to our team for an Engraving quote with your custom art file.

# DS100 Desk

HOW TO ORDER

**DS100 LS BW MS SWS CPH KB LL FR14**

1. Product Code

2. Rack Orientation

3. Body Finish

4. Link Lift Color

5. Work Surface

6. Dash

7. Keyboard

8. Casters/Levelers

9. Rack Rails

**FLD LK SSL PB LCDM QF1 V15SV**

11. Front Door

12. Locks

13. Side Shelf

14. Power

15. Hardware

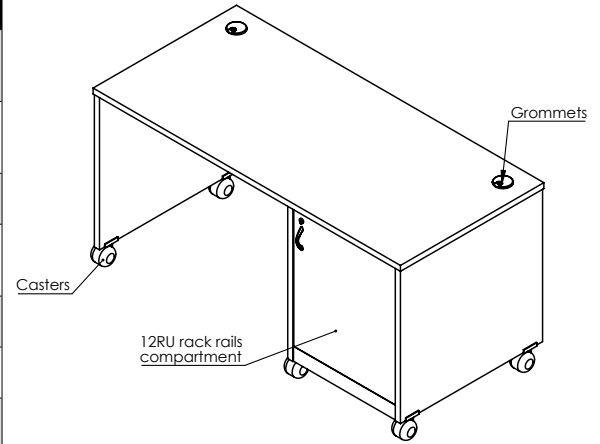
16. Fans

17. Ventilation Panels

AV Instructor Desks

# DS600 Desk

Exterior or Interior	Feature	Feature Included
Exterior	Desk & Rack Cabinet Color	Standard laminates
	Edge Color	Matching edge banding to standard laminates
	Rack Cabinet	14RU Front Rack Rails
	Rack Cabinet Orientation	Available on Left or Right side
	Rack Cabinet Door	Front Locking Door
	Rear Access Panel	Removable Locking Rear Access Panel
	Modesty panel with gables	Standard laminates
	Levelers	Levelers
Interior	Front Rack Rails	14 RU Front Rack Rails
	Power Bar	8 outlet surge protected power bar



Instructor's View: Right Sided Rack Cabinet

AV Instructor Desks

1. PRODUCT CODE	Code	Feature	Price
	<b>DS600</b>	60" W x 30"H x 28"D	\$2,450

2. RACK CABINET ORIENTATION	Code	Feature
	<b>LS</b>	Rack Cabinet on Left Side
	<b>RS</b>	Rack Cabinet on Right Side

### 3. EXTERIOR DESK & RACK CABINET COLOR OPTIONS

#### LAMINATES

Code	Description	Code	Description
<b>BW</b>	459-58 Brite White	<b>ST</b>	9319-BH Stainless
<b>BLK</b>	909-58 Black	<b>AB</b>	5784 Ashwood Bone
<b>BF</b>	8916-58 Blackened Fiberwood	<b>WWB</b>	6372 Whitewashed Birchply
<b>CO</b>	9374-43 Cocoa Oak	<b>SC</b>	7759-43 Select Cherry
<b>HW</b>	5788 Hazel Walnut	<b>NM</b>	9236-43 Noble Mahogany
<b>BE</b>	5793 Buff Elm	<b>CM</b>	7738-58 Cognac Maple
<b>PG</b>	902-58 Platinum Grey	<b>SM</b>	9237-58 Sand Maple
<b>GG</b>	9300-58 Gray Grafix	<b>HPL</b>	Custom High-Pressure Laminate
<b>CH</b>	8955-43 Cinnamon Cherry		

#### CUSTOM LAMINATES

Code	Supplier & Laminate Code	Price Upcharge
<b>FO##</b>	Formica - TBD	\$200
<b>WA##</b>	Wilson Art- TBD	
<b>PI##</b>	Pionite- TBD	
<b>NE##</b>	Nevamar- TBD	
<b>AR##</b>	Arborite- TBD	
Insert specific laminate code in place of ##		

For specialty compact laminates please call us at 1-800-263-2387 or email us at customerservice@egan.com

#### WOOD STAINS

Standard veneer substrate is maple.

Code	Description	Price Upcharge
<b>HS</b>	Haystack	\$1,990
<b>WL</b>	Woodland	
<b>DW</b>	Driftwood	
<b>BB</b>	Barnboard	
<b>CB</b>	Carbon	
<b>NA</b>	Natural	Call for Quote
<b>CS</b>	Custom Stain	



# DS600 Desk

## DESK OPTIONS

### 4. DASH

Code	Description	Price
CPH	Control Power Housing	\$420

### 5. KEYBOARD PULL OUT SHELF

Code	Description	Price
NKB	No Keyboard Pull Out Shelf	\$ 0
KB	Keyboard Pull Out Shelf	\$270

### 6. CASTORS OR LEVELERS

Code	Description	Price
LL	Levelers	\$ 0
CT3	3.5" Castors	\$130

## INTERIOR RACK CABINET OPTIONS

### 7 (A). FRONT RACK RAILS

Front Rack Rails			Rack Size Impact Other Options			
Code	Rack Rail	Availability	Front Door (Style determined by Rack Rail sizing)	Adjustable Shelves	Levelers / Castors	Price
FR12	12RU	Available	Included	Not Available	Included	\$150
FR14	14RU	Included	Included	Not Available	Included	\$ 0

### 7 (B). REAR RACK RAILS

Rear Rack Rails			Rack Size Impact Other Options			
Code	Rack Rail	Availability	Front Door (Style determined by Rack Rail sizing)	Adjustable Shelves	Levelers / Castors	Price
RR12	12RU	Available	Standard Size Front Door	Not Available	Included	\$150
RR14	14RU	Available	Standard Size Front Door	Not Available	Included	\$160

### 8. ADJUSTABLE SHELVES

Code	Description	Price
AS	Adjustable Shelf	\$ 0

You cannot order Adjustable Shelves with rack rails

## EXTERIOR RACK CABINET OPTIONS

### 9. DOORS

Code	Description	Price
FLD	Front Locking Door	\$ 0
NSFD	No Solid Front Door	\$ 0

### 10. LOCKS

Code	Description	Price
LK	Locks	\$ 0
NLK	No Locks	\$ 0
COM	Custom Locks	Call for Quote

For custom order lock requests please call us at 1-800-263-2387 or email us at [customerservice@egan.com](mailto:customerservice@egan.com)

### 11. SIDE SHELF

Code	Description	Price
SSL	Side Shelf Left	\$260
SSR	Side Shelf Right	\$260
SSB	Side Shelves both sides	\$520

# DS600 Desk

## ACCESSORIES & CUSTOMIZATION

### 12. POWER

You may select multiple power options

Code	Description	Price
<b>PB</b>	Power Bar	\$ 0
<b>PBR</b>	Power Bar Rack	\$260
<b>AC4USB</b>	AC4 Plus USB Chargers	\$210
<b>CWG2</b>	Small Interactive Cable Well	\$637

### 14. FANS

Code	Description	Price
<b>QF1</b>	Quiet Fan - 1PK	\$200
<b>QF2</b>	Quiet Fan - 2PK	\$400
<b>TF1</b>	Thermo Fan - 1PK	\$270
<b>TF2</b>	Thermo Fan - 2PK	\$540

### 13. HARDWARE

Code	Description	Price
<b>LCDM</b>	LCD Monitor Vesa Mount	\$360
<b>LCDM2</b>	LCD Monitor Vesa Dual Mount	\$637

If selecting multiple hardware options, please note you may only select one Monitor Mount.

### 15. VENTILATION PANELS

You may select multiple ventilation panels

Code	Description	Price
<b>V15SV</b>	Vent Panel 3.5" X 15" – in Silver Color	\$110
<b>V15BL</b>	Vent Panel 3.5" X 15" – in Black Color	\$110
<b>V15WH</b>	Vent Panel 3.5" X 15" – in White Color	\$110
<b>V19SV</b>	Vent Panel 3.5" X 19" – in Silver Color	\$110
<b>V19BL</b>	Vent Panel 3.5" X 19" – in Black Color	\$110
<b>V19WH</b>	Vent Panel 3.5" X 19" – in White Color	\$110

Ventilation panel location is determined by engineering for maximum circulation of air flow.

### EGANINK

Specify EganINK on EVS, Glass, and acoustic/tackable materials. Please reach to our team for an EganINK quote with your custom art file.

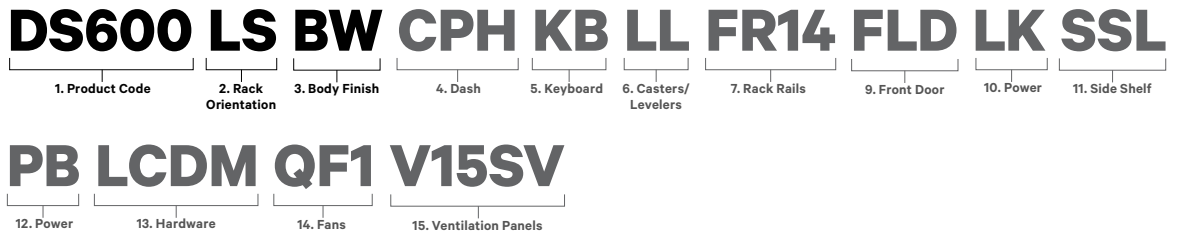
### CUT OUT

Additional CUT OUTS are \$150. Please reach out to our team to specify location.

### ENGRAVINGS

Please reach to our team for an Engraving quote with your custom art file.

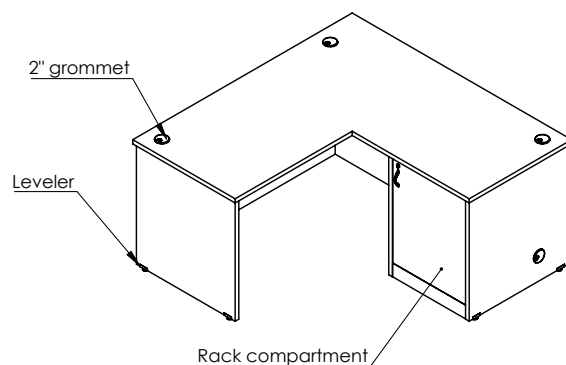
### HOW TO ORDER



# DS600L Desk

Exterior or Interior	Feature	Feature Included
<b>Exterior</b>	Desk & Rack Cabinet Color	Standard laminates
	Edge Color	Matching standard laminates
	Rack Cabinet	Rack Cabinet with 14RU for front rack rails
	Desk Return	Available on Left or Right side
	Rack Cabinet Door	Front Locking Door
	Rear Access Panel	Removable Locking Rear Access Panel
	Modesty panel with gables	Standard laminates
	Levelers	Levelers
<b>Interior</b>	Front Rack Rails	14 RU Front Rack Rails
	Power Bar	8 outlet surge protected power bar

Instructor's View



1. PRODUCT CODE	Code	Feature	Price
	<b>DS600L</b>	60W x 60L x 28 D	\$3,130
	<b>DS600R</b>	60W x 60L x 28 D	\$3,130

## 2. EXTERIOR DESK & RACK CABINET COLOR OPTIONS

### LAMINATES

Code	Description	Code	Description
<b>BW</b>	459-58 Brite White	<b>ST</b>	9319-BH Stainless
<b>BLK</b>	909-58 Black	<b>AB</b>	5784 Ashwood Bone
<b>BF</b>	8916-58 Blackened Fiberwood	<b>WVB</b>	6372 Whitewashed Birchply
<b>CO</b>	9374-43 Cocoa Oak	<b>SC</b>	7759-43 Select Cherry
<b>HW</b>	5788 Hazel Walnut	<b>NM</b>	9236-43 Noble Mahogany
<b>BE</b>	5793 Buff Elm	<b>CM</b>	7738-58 Cognac Maple
<b>PG</b>	902-58 Platinum Grey	<b>SM</b>	9237-58 Sand Maple
<b>GG</b>	9300-58 Gray Grafix	<b>HPL</b>	Custom High-Pressure Laminate
<b>CH</b>	8955-43 Cinnamon Cherry		

### WOOD STAINS

Standard veneer substrate is maple.

Code	Description	Price Upcharge
<b>HS</b>	Haystack	\$3,320
<b>WL</b>	Woodland	
<b>DW</b>	Driftwood	
<b>BB</b>	Barnboard	
<b>CB</b>	Carbon	
<b>NA</b>	Natural	
<b>CS</b>	Custom Stain	Call for Quote

### CUSTOM LAMINATES

Code	Supplier & Laminate Code	Price Upcharge
<b>FO##</b>	Formica - TBD	\$200
<b>WA##</b>	Wilson Art- TBD	
<b>PI##</b>	Pionite- TBD	
<b>NE##</b>	Nevamar- TBD	
<b>AR##</b>	Arborite- TBD	
Insert specific laminate code in place of ##		

For specialty compact laminates please call us at 1-800-263-2387 or email us at customerservice@egan.com

# DS600L Desk

## DESK OPTIONS

### 3. DASH

Code	Description	Price
CPH	Control Power Housing	\$420

### 4. KEYBOARD PULL OUT SHELF

Code	Description	Price
NKB	No Keyboard Pull Out Shelf	\$ 0
KB	Keyboard Pull Out Shelf	\$270

### 5. LEVELERS

Code	Description	Price
LL	Levelers	\$ 0

## INTERIOR RACK CABINET OPTIONS

### 6 (A). FRONT RACK RAILS

Front Rack Rails			Rack Size Impact Other Options			
Code	Rack Rail	Availability	Front Door (Style determined by Rack Rail sizing)	Adjustable Shelves	Castors	Price
FR14	14RU	Included	Included	Not Available	Included	\$ 0

### 6 (B). REAR RACK RAILS

Rear Rack Rails			Rack Size Impact Other Options			
Code	Rack Rail	Availability	Front Door (Style determined by Rack Rail sizing)	Adjustable Shelves	Castors	Price
RR14	14RU	Available	Included	Not Available	Included	\$160

### 7. ADJUSTABLE SHELVES

Code	Description	Price
AS	Adjustable Shelf	\$130

You cannot order Adjustable Shelves with rack rails

## EXTERIOR RACK CABINET OPTIONS

### 8. DOORS

Code	Description	Price
FLD	Front Locking Door	\$ 0
NSFD	No Solid Front Door	\$ 0

### 9. LOCKS

Code	Description	Price
LK	Locks	\$ 0
NLK	No Locks	\$ 0
COM	Custom Locks	Call for Quote

For custom order lock requests please call us at 1-800-263-2387 or email us at [customerservice@egan.com](mailto:customerservice@egan.com)

## ACCESSORIES & CUSTOMIZATION

### 10. POWER

You may select multiple power options

Code	Description	Price
PB	Power Bar	\$120
PBR	Power Bar Rack	\$260
AC4USB	AC4 Plus USB Chargers	\$210
CWG2	Small Interactive Cable Well	\$637

### 11. HARDWARE

Code	Description	Price
LCDM	LCD Monitor Vesa Mount	\$360
LCDM2	LCD Monitor Vesa Dual Mount	\$637

If selecting multiple hardware options, please note you may only select one Monitor Mount.

# DS600L Desk

AV Instructor Desks

## 12. FANS

Code	Description	Price
<b>QF1</b>	Quiet Fan - 1PK	\$200
<b>QF2</b>	Quiet Fan - 2PK	\$400
<b>TF1</b>	Thermo Fan - 1PK	\$270
<b>TF2</b>	Thermo Fan - 2PK	\$540

## 13. VENTILATION PANELS

You may select multiple ventilation panels

Code	Description	Price
<b>V15SV</b>	Vent Panel 3.5" X 15" – in Silver Color	\$110
<b>V15BL</b>	Vent Panel 3.5" X 15" – in Black Color	\$110
<b>V15WH</b>	Vent Panel 3.5" X 15" – in White Color	\$110
<b>V19SV</b>	Vent Panel 3.5" X 19" – in Silver Color	\$110
<b>V19BL</b>	Vent Panel 3.5" X 19" – in Black Color	\$110
<b>V19WH</b>	Vent Panel 3.5" X 19" – in White Color	\$110

Ventilation panel location is determined by engineering for maximum circulation of air flow.

## EGANINK

Specify EganINK on EVS, Glass, and acoustic/tackable materials. Please reach to our team for an EganINK quote with your custom art file.

## CUT OUT

Additional CUT OUTS are \$150. Please reach out to our team to specify location.

## ENGRAVINGS

Please reach to our team for an Engraving quote with your custom art file.

## HOW TO ORDER

**DS600L BW CPH KB LL FR14 FLD LK PB**

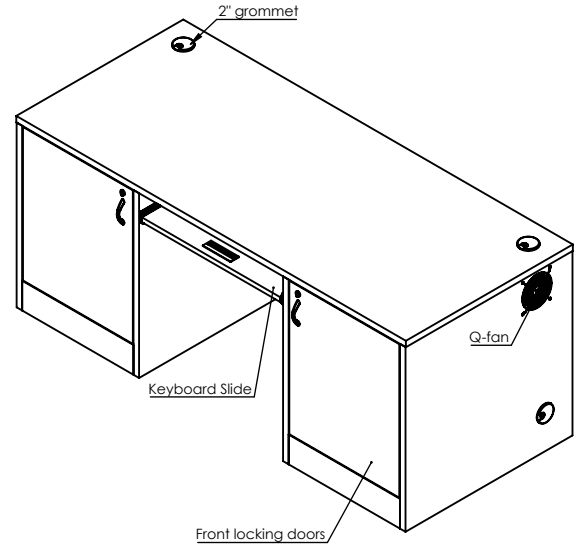
1. Product Code    2. Body Finish    3. Dash    4. Keyboard    5. Casters/Levelers    6. Rack Rails    8. Front Door    9. Locks    10. Power

**LCDM QF1 V15SV**

11. Hardware    12. Fans    13. Ventilation Panels

# DS680 Desk

Exterior or Interior	Feature	Feature Included
Exterior	Desk & Rack Cabinet Color	Standard laminates
	Edge Color	Matching edge banding to standard laminates
	Rack Cabinet	Rack Cabinet with 14RU for front rack rails
	Rack Cabinet Door	Front Locking Rack Cabinet Door
	Rear Access Panel	Removable Locking Rear Access Panel
	Modesty panel	Matches Standard laminates
	Levelers	Levelers
	Grommets	Grommet Management System
Interior	Racks	14 RU Front Rack Rails x 2
	Keyboard Pull Out Shelf	Included



AV Instructor Desks

1. PRODUCT CODE	Code	Feature	Price
	<b>DS680</b>	72" W x 30-1/2"H x 30"D	\$3,040

## 2. EXTERIOR DESK & RACK CABINET COLOR OPTIONS

### LAMINATES

Code	Description	Code	Description
<b>BW</b>	459-58 Brite White	<b>ST</b>	9319-BH Stainless
<b>BLK</b>	909-58 Black	<b>AB</b>	5784 Ashwood Bone
<b>BF</b>	8916-58 Blackened Fiberwood	<b>WWB</b>	6372 Whitewashed Birchply
<b>CO</b>	9374-43 Cocoa Oak	<b>SC</b>	7759-43 Select Cherry
<b>HW</b>	5788 Hazel Walnut	<b>NM</b>	9236-43 Noble Mahogany
<b>BE</b>	5793 Buff Elm	<b>CM</b>	7738-58 Cognac Maple
<b>PG</b>	902-58 Platinum Grey	<b>SM</b>	9237-58 Sand Maple
<b>GG</b>	9300-58 Gray Grafix	<b>HPL</b>	Custom High-Pressure Laminate
<b>CH</b>	8955-43 Cinnamon Cherry		

### CUSTOM LAMINATES

Code	Supplier & Laminate Code	Price Upcharge
<b>FO##</b>	Formica - TBD	\$200
<b>WA##</b>	Wilson Art- TBD	
<b>PI##</b>	Pionite- TBD	
<b>NE##</b>	Nevamar- TBD	
<b>AR##</b>	Arborite- TBD	
Insert specific laminate code in place of ##		

For specialty compact laminates please call us at 1-800-263-2387 or email us at customerservice@egan.com

### WOOD STAINS

Standard veneer substrate is maple.

Code	Description	Price Upcharge
<b>HS</b>	Haystack	\$3,320
<b>WL</b>	Woodland	
<b>DW</b>	Driftwood	
<b>BB</b>	Barnboard	
<b>CB</b>	Carbon	
<b>NA</b>	Natural	Call for Quote
<b>CS</b>	Custom Stain	

# DS680 Desk

## DESK OPTIONS

### 3. DASH

Code	Description	Price
CPH	Control Power Housing	\$420

### 4. KEYBOARD PULL OUT SHELF

Code	Description	Price
NKB	No Keyboard Pull Out Shelf	\$ 0
KB	Keyboard Pull Out Shelf	\$ 0

### 5. LEVELERS

Code	Description	Price
LL	Levelers	\$ 0
CT3	3" Castors	\$130

## INTERIOR RACK CABINET OPTIONS

### 6 (A). FRONT RACK RAILS

Front Rack Rails			Rack Size Impact Other Options			
Code	Rack Rail	Availability	Front Door (Style determined by Rack Rail sizing)	Adjustable Shelves	Levelers	Price
FR14x2	14RU	Included	Included	Not Available	Included	\$ 0

### 6 (B). REAR RACK RAILS

Rear Rack Rails			Rack Size Impact Other Options			
Code	Rack Rail	Availability	Front Door (Style determined by Rack Rail sizing)	Adjustable Shelves	Levelers	Price
RR14x2	14RU	Available	Included	Not Available	Included	\$320

### 7. ADJUSTABLE SHELVES

Code	Description	Price
AS	Adjustable Shelf	\$130

You cannot order Adjustable Shelves with rack rails

## EXTERIOR RACK CABINET OPTIONS

### 8. FRONT DOORS

Code	Description	Price
FLD	Front Locking Door	\$ 0
NSFD	No Solid Front Door	\$ 0

### 9. LOCKS

Code	Description	Price
LK	Locks	\$ 0
NLK	No Locks	\$ 0
COM	Custom Locks	Call for Quote

For custom order lock requests please call us at 1-800-263-2387 or email us at customerservice@egan.com

### 10. SIDE SHELF

Code	Description	Price
SSL	Side Shelf Left	\$260
SSR	Side Shelf Right	\$260
SSB	Side Shelf Left & Right	\$520

## ACCESSORIES & CUSTOMIZATION

### 11. POWER

You may select multiple power options

Code	Description	Price
PB	Power Bar	\$120
PBR	Power Bar Rack	\$260
AC4USB	AC4 Plus USB Chargers	\$210
CWG2	Small Interactive Cale Well	\$637

### 12. HARDWARE

Code	Description	Price
LCDM	LCD Monitor Vesa Mount	\$360
LCDM2	LCD Monitor Vesa Dual Mount	\$637

If selecting multiple hardware options, please note you may only select one Monitor Mount.

# DS680 Desk

## 13. FANS

Code	Description	Price
<b>QF2</b>	Quiet Fan - 2PK	\$200
<b>TF2</b>	Thermo Fan - 2PK	\$270

## 14. VENTILATION PANELS

You may select multiple ventilation panels

Code	Description	Price
<b>V15SV</b>	Vent Panel 3.5" X 15" – in Silver Color	\$110
<b>V15BL</b>	Vent Panel 3.5" X 15" – in Black Color	\$110
<b>V15WH</b>	Vent Panel 3.5" X 15" – in White Color	\$110
<b>V19SV</b>	Vent Panel 3.5" X 19" – in Silver Color	\$110
<b>V19BL</b>	Vent Panel 3.5" X 19" – in Black Color	\$110
<b>V19WH</b>	Vent Panel 3.5" X 19" – in White Color	\$110

Ventilation panel location is determined by engineering for maximum circulation of air flow.

## EGANINK

Specify EganINK on EVS, Glass, and acoustic/tackable materials. Please reach to our team for an EganINK quote with your custom art file.

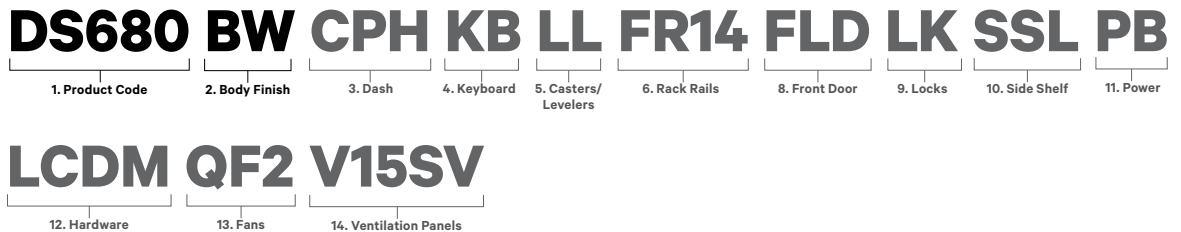
## CUT OUT

Additional CUT OUTs are \$150. Please reach out to our team to specify location.

## ENGRAVINGS

Please reach to our team for an Engraving quote with your custom art file.

## HOW TO ORDER



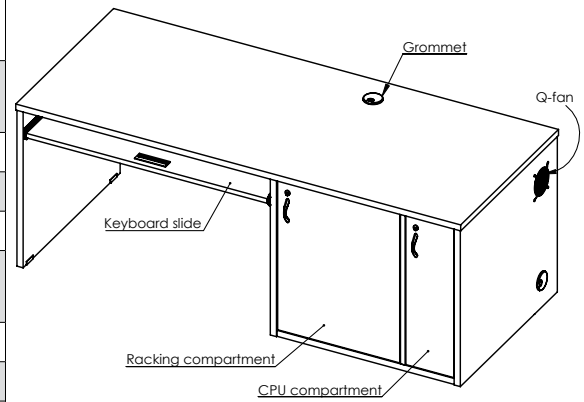


# DS720 Desk

AV Instructor Desks

Exterior or Interior	Feature	Feature Included
<b>Exterior</b>	Desk & Rack Cabinet Color	Standard laminates
	Edge Color	Matching edge banding to standard laminates
	Rack Cabinet	Rack Cabinet with 14RU for front rack rails
	Rack Cabinet Orientation	Available on Left or Right side
	Rack Cabinet Door	Front Locking Door
	CPU compartment Door	Front Locking CPU Door
	Rear Access Panel	Removable Locking Rear Access Panel
	Modesty panel with gables	Matches Standard laminates
	Levelers	Levelers
	Grommets	Grommet Management System
<b>Interior</b>	Racks Rails	14 RU Front Rack Rails
	Power Bar	8 outlet surge protected power bar

Instructor View - Right sided Rack Cabinet



**1. PRODUCT CODE**

Code	Feature	Price
<b>DS720</b>	72" W x 30-1/2"H x 30"D	\$2,980

**2. RACK CABINET ORIENTATION**

Code	Feature
<b>LS</b>	Rack Cabinet on Left Side
<b>RS</b>	Rack Cabinet on Left Side

**3. EXTERIOR DESK & RACK CABINET COLOR OPTIONS**

**LAMINATES**

Code	Description	Code	Description
<b>BW</b>	459-58 Brite White	<b>ST</b>	9319-BH Stainless
<b>BLK</b>	909-58 Black	<b>AB</b>	5784 Ashwood Bone
<b>BF</b>	8916-58 Blackened Fiberwood	<b>WWB</b>	6372 Whitewashed Birchply
<b>CO</b>	9374-43 Cocoa Oak	<b>SC</b>	7759-43 Select Cherry
<b>HW</b>	5788 Hazel Walnut	<b>NM</b>	9236-43 Noble Mahogany
<b>BE</b>	5793 Buff Elm	<b>CM</b>	7738-58 Cognac Maple
<b>PG</b>	902-58 Platinum Grey	<b>SM</b>	9237-58 Sand Maple
<b>GG</b>	9300-58 Gray Grafix	<b>HPL</b>	Custom High-Pressure Laminate
<b>CH</b>	8955-43 Cinnamon Cherry		

**CUSTOM LAMINATES**

Code	Supplier & Laminate Code	Price Upcharge
<b>FO##</b>	Formica - TBD	\$200
<b>WA##</b>	Wilson Art- TBD	
<b>PI##</b>	Pionite- TBD	
<b>NE##</b>	Nevamar- TBD	
<b>AR##</b>	Arborite- TBD	
Insert specific laminate code in place of ##		

For specialty compact laminates please call us at 1-800-263-2387 or email us at customerservice@egan.com

**WOOD STAINS**

Standard veneer substrate is maple.

Code	Description	Price Upcharge
<b>HS</b>	Haystack	\$3,320
<b>WL</b>	Woodland	
<b>DW</b>	Driftwood	
<b>BB</b>	Barnboard	
<b>CB</b>	Carbon	
<b>NA</b>	Natural	Call for Quote
<b>CS</b>	Custom Stain	

# DS720 Desk

## DESK OPTIONS

### 4. DASH

Code	Description	Price
CPH	Control Power Housing	\$420

### 5. KEYBOARD PULL OUT SHELF

Code	Description	Price
NKB	No Keyboard Pull Out Shelf	\$ 0
KB	Keyboard Pull Out Shelf	\$ 0

### 6. LEVELERS OR CASTORS

Code	Description	Price
LL	Levelers	\$ 0
CT3	3.5" Castors	\$130

## INTERIOR RACK CABINET OPTIONS

### 7 (A). FRONT RACK RAILS

Front Rack Rails			Rack Size Impact Other Options			
Code	Rack Rail	Availability	Front Door (Style determined by Rack Rail sizing)	Adjustable Shelves	Levelers	Price
FR14	14RU	Included	Included	Not Available	Levelers	\$ 0

### 7 (B). REAR RACK RAILS

Rear Rack Rails			Rack Size Impact Other Options			
Code	Rack Rail	Availability	Front Door (Style determined by Rack Rail sizing)	Adjustable Shelves	Levelers	Price
RR14	14RU	Available	Included	Not Available	Levelers	\$160

### 8. ADJUSTABLE SHELVES

Code	Description	Price
AS	Adjustable Shelf	\$130

You cannot order Adjustable Shelves with rack rails

## EXTERIOR RACK CABINET OPTIONS

### 9. DOORS

Code	Description	Price
FLD	Front Locking Door	\$ 0
NSFD	No Solid Front Door	\$ 0

### 10. LOCKS

Code	Description	Price
LK	Locks	\$ 0
NLK	No Locks	\$ 0
COM	Custom Lock	Call for Quote

Please call us at 1-800-263-2387 or email us at customerservice@egan.com

### 11. SIDE SHELF

Code	Description	Price
SSL	Side Shelf Left	\$260
SSR	Side Shelf Right	\$260

## ACCESSORIES & CUSTOMIZATION

### 12. POWER

You may select multiple power options

Code	Description	Price
PB	Power Bar	\$ 0
PBR	Power Bar Rack	\$260
AC4USB	AC4 Plus USB Chargers	\$210
CWG2	Small Interactive Cable Well	\$637

### 13. HARDWARE

Code	Description	Price
LCDM	LCD Monitor Vesa Mount	\$360
LCDM2	LCD Monitor Vesa Dual Mount	\$637

Please note you may only select one Monitor Mount.

# DS720 Desk

AV Instructor Desks

## 14. FANS

Code	Description	Price
<b>QF1</b>	Quiet Fan - 1PK	\$200
<b>QF2</b>	Quiet Fan - 2PK	\$400
<b>TF1</b>	Thermo Fan - 1PK	\$270
<b>TF2</b>	Thermo Fan - 2PK	\$540

## 15. VENTILATION PANELS

You may select multiple ventilation panels

Code	Description	Price
<b>V15SV</b>	Vent Panel 3.5" X 15" – in Silver Color	\$110
<b>V15BL</b>	Vent Panel 3.5" X 15" – in Black Color	\$110
<b>V15WH</b>	Vent Panel 3.5" X 15" – in White Color	\$110
<b>V19SV</b>	Vent Panel 3.5" X 19" – in Silver Color	\$110
<b>V19BL</b>	Vent Panel 3.5" X 19" – in Black Color	\$110
<b>V19WH</b>	Vent Panel 3.5" X 19" – in White Color	\$110

Ventilation panel location is determined by engineering for maximum circulation of air flow.

## EGANINK

Specify EganINK on EVS, Glass, and acoustic/tackable materials. Please reach to our team for an EganINK quote with your custom art file.

## CUT OUT

Additional CUT OUTs are \$150. Please reach out to our team to specify location.

## ENGRAVINGS

Please reach to our team for an Engraving quote with your custom art file.

## HOW TO ORDER

**DS720 LS BW CPH KB LL FR14 FLD LK**



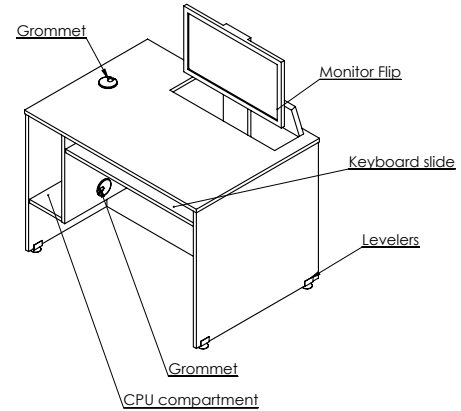
**SSL PB LCDM QF1 V15SV**



# DS4230 Desk

Exterior or Interior	Feature	Feature Included
Exterior	Desk Color	Standard laminates
	Edge Color	Matching edge banding to standard laminates
	CPU Holder	CPU Holder can be ordered on left or right side
	Castors or Levelers	Levelers
	Electric Monitor Lift	Electric monitor lift with remote control, works with most VESA compliant monitors up to 27" in size
	Grommets	Grommet Management System
Interior	Keyboard	Keyboard pull out shelf

Instructor View - Left sided CPU Compartment



**1. PRODUCT CODE**

Code	Feature	Price
<b>DS4230</b>	42.1/4" W x 30-1/8"H x 30-1/2"D	\$3,950

**2. CPU HOLDER**

Code	Feature
<b>LS</b>	CPU on Left Side
<b>RS</b>	CPU on Right Side

**3. EXTERIOR DESK COLOR OPTIONS**

**LAMINATES**

Code	Description	Code	Description
<b>BW</b>	459-58 Brite White	<b>ST</b>	9319-BH Stainless
<b>BLK</b>	909-58 Black	<b>AB</b>	5784 Ashwood Bone
<b>BF</b>	8916-58 Blackened Fiberwood	<b>WWB</b>	6372 Whitewashed Birchply
<b>CO</b>	9374-43 Cocoa Oak	<b>SC</b>	7759-43 Select Cherry
<b>HW</b>	5788 Hazel Walnut	<b>NM</b>	9236-43 Noble Mahogany
<b>BE</b>	5793 Buff Elm	<b>CM</b>	7738-58 Cognac Maple
<b>PG</b>	902-58 Platinum Grey	<b>SM</b>	9237-58 Sand Maple
<b>GG</b>	9300-58 Gray Grafix	<b>HPL</b>	Custom High-Pressure Laminate
<b>CH</b>	8955-43 Cinnamon Cherry		

**CUSTOM LAMINATES**

Code	Supplier & Laminate Code	Price Upcharge
<b>FO##</b>	Formica - TBD	\$210
<b>WA##</b>	Wilson Art- TBD	
<b>PI##</b>	Pionite- TBD	
<b>NE##</b>	Nevamar- TBD	
<b>AR##</b>	Arborite- TBD	
Insert specific laminate code in place of ##		

For specialty compact laminates please call us at 1-800-263-2387 or email us at customerservice@egan.com

**WOOD STAINS**

Standard veneer substrate is maple.

Code	Description	Price Upcharge
<b>HS</b>	Haystack	\$1,990
<b>WL</b>	Woodland	
<b>DW</b>	Driftwood	
<b>BB</b>	Barnboard	
<b>CB</b>	Carbon	
<b>NA</b>	Natural	
<b>CS</b>	Custom Stain	Call for Quote

## DESK OPTIONS

**4. DASH**

Code	Description	Price
<b>CPH</b>	Control Power Housing	\$420

**5. KEYBOARD PULL OUT SHELF**

Code	Description	Price
<b>KB</b>	Keyboard Pull Out Shelf	\$ 0
<b>NKB</b>	No Keyboard Pull Out Shelf	\$ 0

**6. CASTORS/LEVELERS**

Code	Description	Price
<b>LL</b>	Levelers	\$ 0
<b>CT3</b>	3.5" Castors	\$130

AV Instructor Desks

# DS4230 Desk

## ACCESSORIES & CUSTOMIZATION

**7. POWER** You may select multiple power options

Code	Description
PB	Power Bar
AC4USB	AC4 Plus USB Chargers
CWG2	Small Interactive Cable Well

Please call us at 1-800-263-2387 or email us at customerservice@egan.com for a quote.

**EGANINK** Specify EganINK on EVS, Glass, and acoustic/tackable materials. Please reach to our team for an EganINK quote with your custom art file.

**CUT OUT** Additional CUT OUTs are \$150. Please reach out to our team to specify location.

**ENGRAVINGS** Please reach to our team for an Engraving quote with your custom art file.

### HOW TO ORDER



AV Instructor Desks

## TV Media Stands

### ■ TV Media Stands

---

- MC352
- MC600
- MC700

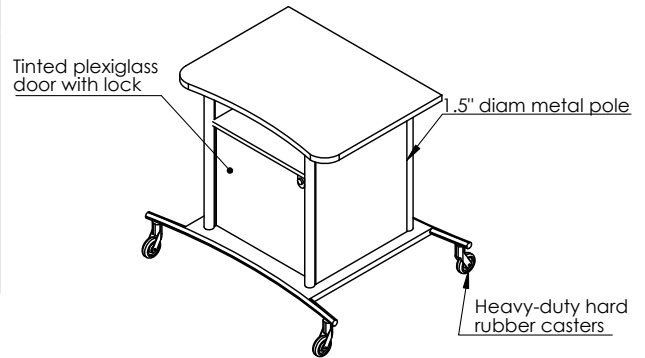
**EGAN**

**TV MEDIA STANDS**

**BUILT  
TO INSPIRE**

# MC352 TV Media Stand

Exterior or Interior	Feature	Feature Included
<b>Exterior</b>	Cabinet Surface Options	Standard laminates with matching edge banding
	Front Locking Door	Front Locking Plexiglass Screen Door
	Rear Access Door	Locking Rear Access Door
	Castors	4.5" Castors – 2 locking and 2 non-locking
<b>Interior</b>	Front Locking Door	8RU Front Rack Rails included
	Storage	Storage cubby



**1. PRODUCT CODE**

Code	Dimensions	Price
<b>MC352</b>	40" W x 33"H x 29" D	\$2,210

**2. BODY FINISH**

**LAMINATES**

Code	Description	Code	Description
<b>BLK</b>	909-58 Black*	<b>ST</b>	9319-BH Stainless
<b>BW</b>	459-58 Brite White	<b>AB</b>	5784 Ashwood Bone
<b>BF</b>	8916-58 Blackened Fiberwood	<b>WWB</b>	6372 Whitewashed Birchply
<b>CO</b>	9374-43 Cocoa Oak	<b>SC</b>	7759-43 Select Cherry
<b>HW</b>	5788 Hazel Walnut	<b>NM</b>	9236-43 Noble Mahogany
<b>BE</b>	5793 Buff Elm	<b>CM</b>	7738-58 Cognac Maple
<b>PG</b>	902-58 Platinum Grey	<b>SM</b>	9237-58 Sand Maple
<b>GG</b>	9300-58 Gray Grafix	<b>HPL</b>	Custom High-Pressure Laminate
<b>CH</b>	8955-43 Cinnamon Cherry		

\*Black is the standard laminate color

**CUSTOM LAMINATES**

Code	Supplier & Laminate Code	Price Upcharge
<b>FO##</b>	Formica - TBD	\$100
<b>WA##</b>	Wilson Art- TBD	
<b>PI##</b>	Pionite- TBD	
<b>NE##</b>	Nevamar- TBD	
<b>AR##</b>	Arborite- TBD	
Insert specific laminate code in place of ##		

For specialty compact laminates please call us at 1-800-263-2387 or email us at customerservice@egan.com

**WOOD STAINS**

Standard veneer substrate is maple.

Code	Description	Price Upcharge
<b>HS</b>	Haystack	\$1,330
<b>WL</b>	Woodland	
<b>DW</b>	Driftwood	
<b>BB</b>	Barnboard	
<b>CB</b>	Carbon	
<b>NA</b>	Natural	Call for Quote
<b>CS</b>	Custom Stain	

**Rack Rails, Interior Options on Next Page**

# MC352 TV Media Stand

## INTERIOR RACK CABINET OPTIONS

### 3 (A). FRONT RACK RAILS

Front Rack Rails			Rack Size Impact Other Options			
Code	Rack Rail	Availability	Front Door (Style determined by Rack Rail sizing)	Adjustable Shelves	Castors	Price
FR10	10RU	Included	Included	Not Available	Included	\$ 0

### 3 (B). REAR RACK RAILS

Rear Rack Rails			Rack Size Impact Other Options			
Code	Rack Rail	Availability	Front Door (Style determined by Rack Rail sizing)	Adjustable Shelves	Castors	Price
RR10	10RU	Available	Included	Not Available	Included	\$120

### 4. ADJUSTABLE SHELVES

Code	Description	Price
AS	Adjustable Shelves	\$130

You cannot order Adjustable Shelves with rack rails

## EXTERIOR RACK CABINET OPTIONS

### 5. FRONT DOORS

Code	Description	Price
FPD	Front Plexiglass Screen Door	\$ 0
NFD	No Front Door	\$ 0

### 6. BACK DOOR

Code	Description	Price
RLD	Locking Rear Door	\$ 0

### 7. LOCKS

Code	Description	Price
LK	Locks	\$ 0
NLK	No Locks	\$ 0
COM	Custom Locks	Call for Quote

For custom order lock requests please call us at 1-800-263-2387 or email us at customerservice@egan.com

### 8. CASTORS

Code	Description	Price
PCT4	4.5" Premium Castors	\$ 0

## ACCESSORIES & CUSTOMIZATION

### 9. POWER

You may select multiple power options

Code	Description	Price
PB	Power Bar	\$120
PBR	Power Bar Rack	\$260
AC4USB	AC4 Plus USB Chargers	\$210
CWG2	Small Interactive Cable Well	\$637

### 10. HARDWARE

Code	Description	Price
DP200	Dual pole TV mount, 37" – 85" TV, camera mount included	\$1,160
TT200	Tabletop flat panel mount, holds most 37" to 85" TV's	\$960

### 11. FANS

Code	Description	Price
QF1	Quiet Fan - 1PK	\$200
TF1	Thermo Fan - 1PK	\$270



# MC352 TV Media Stand

## 15. VENTILATION PANELS

You may select multiple ventilation panels

Code	Description	Price
V12SV	Vent Panel 3.5" X 12" – in Silver Color	\$110
V12BL	Vent Panel 3.5" X 12" – in Black Color	\$110
V12WH	Vent Panel 3.5" X 12" – in White Color	\$110

Ventilation panel location is determined by engineering for maximum circulation of air flow.

## EGANINK

Specify EganINK on EVS, Glass, and acoustic/tackable materials. Please reach to our team for an EganINK quote with your custom art file.

## CUT OUT

Additional CUT OUTs are \$150. Please reach out to our team to specify location.

## ENGRAVINGS

Please reach to our team for an Engraving quote with your custom art file.

## HOW TO ORDER

**MC352 BW FR8 FPD RLD LK PCT4 PB**

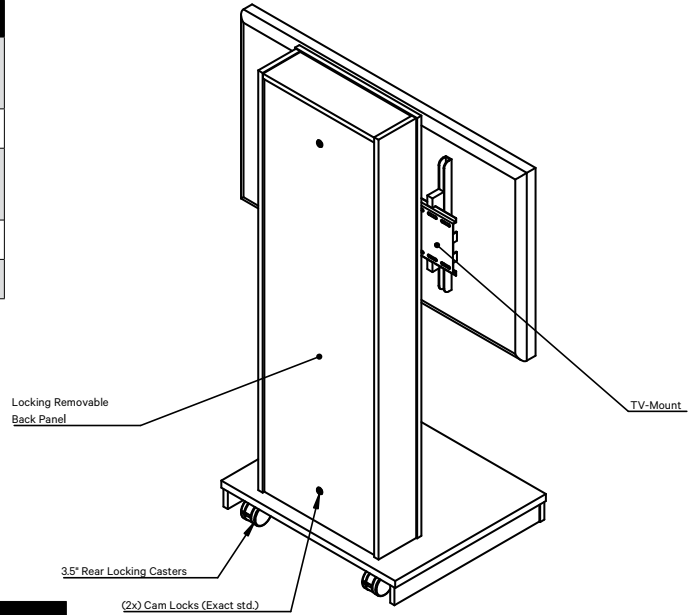
1. Product Code    2. Body Finish    3. Rack Rails    5. Front Door    6. Back Door    7. Locks    8. Castors/Levelers    9. Power

**DP200 QF1 V15SV**

10. Hardware    11. Fans    12. Ventilation Panel

# MC600 AV Media Stand

Exterior or Interior	Feature	Feature Included
Exterior	Surface Color	Standard laminates with matching edge banding
	Rear Access Door	Locking Removable Rear Door
	Castors	3.5" Castors – 2 locking and 2 non-locking
Interior	TV Wall Mount	Plasma TV Mount
	Rear Rack Rails	3RU Rear Rack Rails



TV Media Stands

**1. PRODUCT CODE**

Code	Dimensions	Price
<b>MC600</b>	30" W x 63-1/8"H x 26" D	\$2,150

**2. EXTERIOR MONITOR STAND COLOR**

**LAMINATES**

Code	Description	Code	Description
<b>BW</b>	459-58 Brite White	<b>ST</b>	9319-BH Stainless
<b>BLK</b>	909-58 Black	<b>AB</b>	5784 Ashwood Bone
<b>BF</b>	8916-58 Blackened Fiberwood	<b>WWB</b>	6372 Whitewashed Birchply
<b>CO</b>	9374-43 Cocoa Oak	<b>SC</b>	7759-43 Select Cherry
<b>HW</b>	5788 Hazel Walnut	<b>NM</b>	9236-43 Noble Mahogany
<b>BE</b>	5793 Buff Elm	<b>CM</b>	7738-58 Cognac Maple
<b>PG</b>	902-58 Platinum Grey	<b>SM</b>	9237-58 Sand Maple
<b>GG</b>	9300-58 Gray Grafix	<b>HPL</b>	Custom High-Pressure Laminate
<b>CH</b>	8955-43 Cinnamon Cherry		

**CUSTOM LAMINATES**

Code	Supplier & Laminate Code	Price Upcharge
<b>FO##</b>	Formica - TBD	\$200
<b>WA##</b>	Wilson Art- TBD	
<b>PI##</b>	Pionite- TBD	
<b>NE##</b>	Nevamar- TBD	
<b>AR##</b>	Arborite- TBD	
Insert specific laminate code in place of ##		

For specialty compact laminates please call us at 1-800-263-2387 or email us at customerservice@egan.com

**WOOD STAINS**

Standard veneer substrate is maple.

Code	Description	Price Upcharge
<b>HS</b>	Haystack	\$2,650
<b>WL</b>	Woodland	
<b>DW</b>	Driftwood	
<b>BB</b>	Barnboard	
<b>CB</b>	Carbon	
<b>NA</b>	Natural	
<b>CS</b>	Custom Stain	Call for Quote

**Rack Rails, Exterior Options on Next Page**

# MC600 AV Media Stand

## INTERIOR RACK CABINET OPTIONS

### 3 (A). FRONT RACK RAILS

Front Rack Rails			Rack Size Impact Other Options			
Code	Rack Rail	Availability	Rear Access Panel	Adjustable Shelves	Levelers	Price
FR3	3RU	Included	Standard Rear Access Panel	Not Available	Standard	\$ 0

### 3 (B). REAR RACK RAILS

Rear Rack Rails			Rack Size Impact Other Options			
Code	Rack Rail	Availability	Rear Access Panel	Adjustable Shelves	Levelers	Price
RR3	3RU	Available	Standard Rear Access Panel	Not Available	Standard	\$120

## EXTERIOR OPTIONS

### 4. CASTORS OR LEVELERS

Code	Description	Price
CT3	3.5" Castors	\$ 0
LL	Levelers	\$111

## ACCESSORIES & CUSTOMIZATION

### 5. POWER

You may select multiple power options

Code	Description	Price
PB	Power Bar	\$120
PBR	Power Bar Rack	\$260

### 6. FANS

Code	Description	Price
QF1	Quiet Fan - 1PK	\$200
TF1	Thermo Fan - 1PK	\$270

### 7. VENTILATION PANELS

You may select multiple ventilation panels

Code	Description	Price
V15SV	Vent Panel 3.5" X 15" - in Silver Color	\$110
V15BL	Vent Panel 3.5" X 15" - in Black Color	\$110
V15WH	Vent Panel 3.5" X 15" - in White Color	\$110
V19SV	Vent Panel 3.5" X 19" - in Silver Color	\$110
V19BL	Vent Panel 3.5" X 19" - in Black Color	\$110
V19WH	Vent Panel 3.5" X 19" - in White Color	\$110

Ventilation panel location is determined by engineering for maximum circulation of air flow.

### EGANINK

Specify EganINK on EVS, Glass, and acoustic/tackable materials. Please reach to our team for an EganINK quote with your custom art file.

### CUT OUT

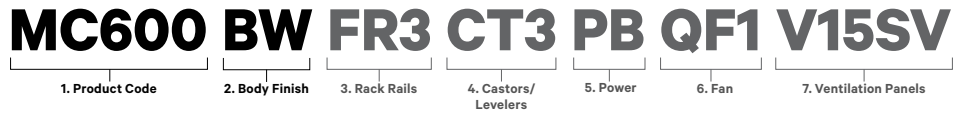
Additional CUT OUTs are \$150. Please reach out to our team to specify location.

# MC600 AV Media Stand

**ENGRAVINGS**

Please reach to our team for an Engraving quote with your custom art file.

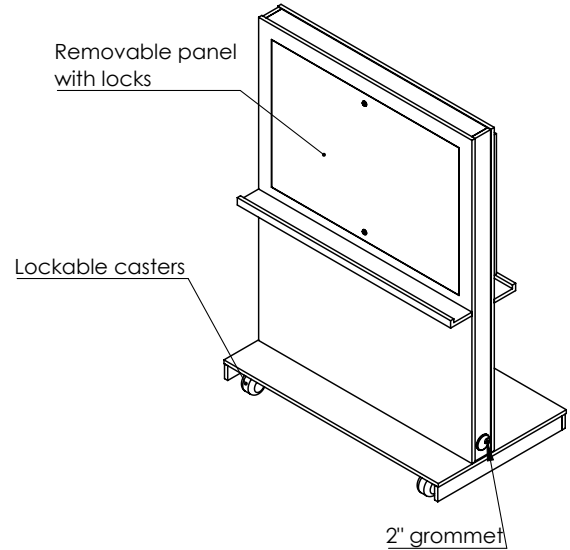
**HOW TO ORDER**



# MC700 AV Media Stand

TV Media Stands

Exterior or Interior	Feature	Feature Included
Exterior	Surface Color	Standard laminates with matching edge banding
	Rear Access Panel	Locking Removable Rear Access panel
	Castors	3.5" Castors – 2 locking and 2 non-locking
Interior	TV Mount	Wall TV Mount



## 1. PRODUCT CODE

Code	Dimensions	Price
<b>MC700</b>	50-1/4" W x 71"H x 30" D	\$4,560

## 2. EXTERIOR MOBILE COLOR OPTIONS

### LAMINATES

Code	Description	Code	Description
<b>BW</b>	459-58 Brite White	<b>ST</b>	9319-BH Stainless
<b>BLK</b>	909-58 Black	<b>AB</b>	5784 Ashwood Bone
<b>BF</b>	8916-58 Blackened Fiberwood	<b>WWB</b>	6372 Whitewashed Birchply
<b>CO</b>	9374-43 Cocoa Oak	<b>SC</b>	7759-43 Select Cherry
<b>HW</b>	5788 Hazel Walnut	<b>NM</b>	9236-43 Noble Mahogany
<b>BE</b>	5793 Buff Elm	<b>CM</b>	7738-58 Cognac Maple
<b>PG</b>	902-58 Platinum Grey	<b>SM</b>	9237-58 Sand Maple
<b>GG</b>	9300-58 Gray Grafix	<b>HPL</b>	Custom High-Pressure Laminate
<b>CH</b>	8955-43 Cinnamon Cherry		

### CUSTOM LAMINATES

Code	Supplier & Laminate Code	Price Upcharge
<b>FO##</b>	Formica - TBD	\$300
<b>WA##</b>	Wilson Art- TBD	
<b>PI##</b>	Pionite- TBD	
<b>NE##</b>	Nevamar- TBD	
<b>AR##</b>	Arborite- TBD	
Insert specific laminate code in place of ##		

For specialty compact laminates please call us at 1-800-263-2387 or email us at customerservice@egan.com

### WOOD STAINS

Standard veneer substrate is maple.

Code	Description	Price Upcharge
<b>HS</b>	Haystack	\$3,980
<b>WL</b>	Woodland	
<b>DW</b>	Driftwood	
<b>BB</b>	Barnboard	
<b>CB</b>	Carbon	
<b>NA</b>	Natural	Call for Quote
<b>CS</b>	Custom Stain	

## EXTERIOR MOBILE OPTIONS

### 3. CASTORS & LEVELERS

Code	Description	Price
<b>CT3</b>	3.5" Castors	\$ 0
<b>LL</b>	Levelers	\$111

# MC700 AV Media Stand

## ACCESSORIES & CUSTOMIZATION

### 4. POWER

Code	Description	Price
PB	Power Bar	\$120

### EGANINK

Specify EganINK on EVS, Glass, and acoustic/tackable materials. Please reach to our team for an EganINK quote with your custom art file.

### CUT OUT

Additional CUT OUTs are \$150. Please reach out to our team to specify location.

### ENGRAVINGS

Please reach to our team for an Engraving quote with your custom art file.

### HOW TO ORDER



TV Media Stands

### ■ Credenzas

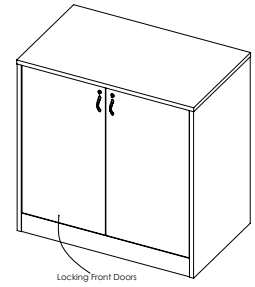
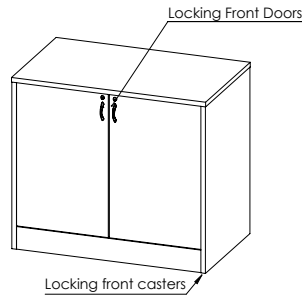
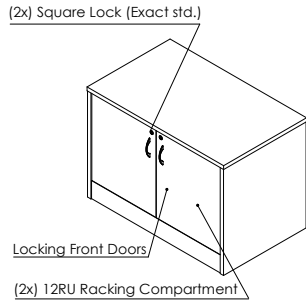
---

- CR200 SERIES
- CR300 SERIES
- CR412
- DS SERIES
- AVCAB SERIES
- RA SERIES
- RE REIES
- CE160

# CREDENZAS

**BUILT**  
**TO INSPIRE**

# CR200 Credenza Series



Exterior or Interior	Feature	Feature Included
Exterior	Surface Color	Standard laminates with matching or non-matching edge banding
	Doors	Front Locking Doors
	Rear Access Panel	Removable Rear Locking Panel
	Castors	4.5" Castors - 2 locking and 2 non-locking
Interior	Rack Rails	12RU front rails - 2 pairs. (CR212). 16RU front and rear rack rails - 2 pairs. (CR216). 20RU front and rear rack rails - 2 pairs. (CR220)
	Air Flow	2 Quiet cooling fans (50CFM)

1. PRODUCT CODE	Code	Feature	Price
	<b>CR212</b>	42-7/8"W x 26-1/8"D x 30-3/4"H	\$2,980
	<b>CR216</b>	42-7/8"W x 26-1/8"D x 38"H	\$3,460
	<b>CR220</b>	42-7/8"W x 26-1/8"D x 43-7/8"H	\$3,930
	<b>CR212XD</b>	42-7/8"W x 30"D x 30-3/4"H	\$3,340
	<b>CR216XD</b>	42-7/8"W x 30"D x 38"H	\$3,820
	<b>CR220XD</b>	42-7/8"W x 30"D x 43-7/8"H	\$4,290

## 2. EXTERIOR CREDENZA COLOR OPTIONS

### LAMINATES

Code	Description	Code	Description
<b>BW</b>	459-58 Brite White	<b>ST</b>	9319-BH Stainless
<b>BLK</b>	909-58 Black	<b>AB</b>	5784 Ashwood Bone
<b>BF</b>	8916-58 Blackened Fiberwood	<b>WWB</b>	6372 Whitewashed Birchply
<b>CO</b>	9374-43 Cocoa Oak	<b>SC</b>	7759-43 Select Cherry
<b>HW</b>	5788 Hazel Walnut	<b>NM</b>	9236-43 Noble Mahogany
<b>BE</b>	5793 Buff Elm	<b>CM</b>	7738-58 Cognac Maple
<b>PG</b>	902-58 Platinum Grey	<b>SM</b>	9237-58 Sand Maple
<b>GG</b>	9300-58 Gray Grafix	<b>HPL</b>	Custom High-Pressure Laminate
<b>CH</b>	8955-43 Cinnamon Cherry		

### WOOD STAINS

Standard veneer substrate is maple.

Code	Description	Price
<b>HS</b>	Haystack	Call for Quote
<b>WL</b>	Woodland	
<b>DW</b>	Driftwood	
<b>BB</b>	Barnboard	
<b>CB</b>	Carbon	
<b>NA</b>	Natural	
<b>CS</b>	Custom Stain	

### CUSTOM LAMINATES

Code	Supplier & Laminate Code	Code	Supplier & Laminate Code
<b>FO##</b>	Formica - TBD	<b>NE##</b>	Nevamar- TBD
<b>WA##</b>	Wilson Art- TBD	<b>AR##</b>	Arborite- TBD
<b>PI##</b>	Pionite- TBD		
Call for Quote			
Insert specific laminate code in place of ##			

For specialty compact laminates please call us at 1-800-263-2387 or email us at customerservice@egan.com



# CR200 Credenza Series

## INTERIOR RACK CABINET OPTIONS

### 3 (A). FRONT RACK RAILS

Front Rack Rails				Rack Size Impact Other Options		
Code	Rack Rail	Product	Availability	Front Door (Style determined by Rack Rail sizing)	Adjustable Shelves	Castors
FR12	12RU	CR212	Included	Included	Not Available	Included
FR16	16RU	CR216	Included	Included	Not Available	Included
FR20	20RU	CR220	Included	Included	Not Available	Included

### 3 (B). REAR RACK RAILS

Rear Rack Rails				Rack Size Impact Other Options		
Code	Rack Rail	Product	Availability	Front Door (Style determined by Rack Rail sizing)	Adjustable Shelves	Castors
RR12	12RU	CR212	Included	Available	Not Available	4.5" Castors
RR16	16RU	CR216	Included	Available	Not Available	4.5" Castors
RR20	20RU	CR220	Included	Available	Not Available	4.5" Castors

### 4. ADJUSTABLE SHELVES

Code	Description	Price
AS	Adjustable Shelf	\$130

Two adjustable shelves are available to order.

## CABINET OPTIONS

### 5. DOOR

Code	Description	Price
FLD	Front Locking laminate Doors	\$ 0

### 6. LOCKS

Code	Description	Price
LK	Locks	\$ 0
NL	No Locks	\$ 0
COM	Custom Locks	Call for Quote

For custom order lock requests please call us at 1-800-263-2387 or email us at customerservice@egan.com

### 7. CASTORS

Code	Description	Price
CT4	4.5" Castors	\$ 0
PCT4	4.5" Premium Castors	\$210
LL	Levelers	\$111

## ACCESSORIES & CUSTOMIZATION

### 8. POWER

You may select multiple power options

Code	Description	Price
PB	Power Bar	\$120
PBR	Power Bar Rack	\$260
AC4USB	AC4 Plus USB Chargers	\$210
CWG2	Small Interactive Cable Well	\$637

### 9. HARDWARE

Code	Description	Price
DP200	Dual pole TV mount, 37" – 85" TV, camera mount included	\$1,160
TT200	Tabletop flat panel mount, holds most 37" to 85" TV's	\$960

# CR200 Credenza Series

## 10. FANS

Code	Description	Price
<b>QF2</b>	Quiet Fan - 2PK	\$ 0
<b>TF2</b>	Thermo Fan - 2PK	\$270

## 11. VENTILATION PANELS

Code	Description	Price
<b>V15SV</b>	Vent Panel 3.5" X 15" – in Silver Color	\$110
<b>V15BL</b>	Vent Panel 3.5" X 15" – in Black Color	\$110
<b>V15WH</b>	Vent Panel 3.5" X 15" – in White Color	\$110
<b>V19SV</b>	Vent Panel 3.5" X 19" – in Silver Color	\$110
<b>V19BL</b>	Vent Panel 3.5" X 19" – in Black Color	\$110
<b>V19WH</b>	Vent Panel 3.5" X 19" – in White Color	\$110

### EGANINK

Specify EganINK on EVS, Glass, and acoustic/tackable materials. Please reach to our team for an EganINK quote with your custom art file.

### CUT OUT

Additional CUT OUTs are \$150. Please reach out to our team to specify location.

### ENGRAVINGS

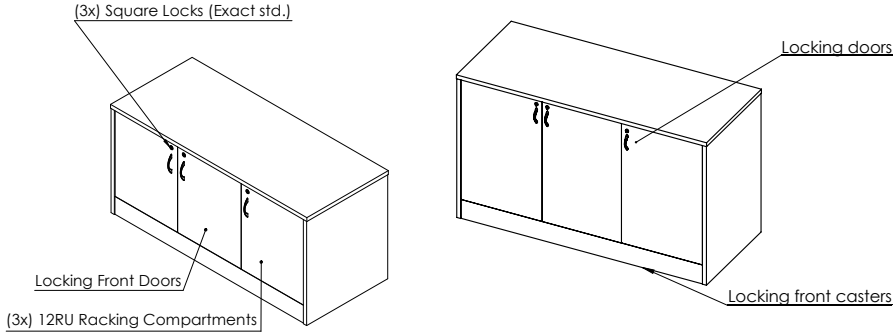
Please reach to our team for an Engraving quote with your custom art file.

## HOW TO ORDER



# CR300 Credenza Series

Credenzas



Exterior or Interior	Feature	Feature Included
<b>Exterior</b>	Surface Color	Standard laminates with matching or non-matching edge banding
	Doors	Front Locking Doors
	Rear Access Panel	Removable Locking Rear Access Panel
	Castors	4.5" Castors – 2 locking and 2 non-locking
<b>Interior</b>	Rack Rails	12RU front rack rails (3 pairs. (CR312). 16RU front rack rails (3 pairs. (CR316). 20RU front rack rails (3 pairs. (CR320)
	Air Flow	3 Quiet cooling fans (50CFM)

1. PRODUCT CODE	Code	Feature	Price
	<b>CR312</b>	62-15/16"Wx26-1/8"Dx30-3/4"H	\$4,137
	<b>CR316</b>	62-15/16"Wx26-1/8"Dx38"H	\$4,733
	<b>CR320</b>	62-15/16"Wx26-1/8"Dx43-7/8"H	\$5,357
	<b>CR312XD</b>	62-15/16"Wx30"Dx30-3/4"H	\$4,499
	<b>CR316XD</b>	62-15/16"Wx30"Dx38"H	\$5,040
	<b>CR320XD</b>	62-15/16"Wx30"Dx43-7/8"H	\$6,099

## 2. EXTERIOR CREDENZA COLOR OPTIONS

### LAMINATES

Code	Description	Code	Description
<b>BW</b>	459-58 Brite White	<b>ST</b>	9319-BH Stainless
<b>BLK</b>	909-58 Black	<b>AB</b>	5784 Ashwood Bone
<b>BF</b>	8916-58 Blackened Fiberwood	<b>WWB</b>	6372 Whitewashed Birchply
<b>CO</b>	9374-43 Cocoa Oak	<b>SC</b>	7759-43 Select Cherry
<b>HW</b>	5788 Hazel Walnut	<b>NM</b>	9236-43 Noble Mahogany
<b>BE</b>	5793 Buff Elm	<b>CM</b>	7738-58 Cognac Maple
<b>PG</b>	902-58 Platinum Grey	<b>SM</b>	9237-58 Sand Maple
<b>GG</b>	9300-58 Gray Grafix	<b>HPL</b>	Custom High-Pressure Laminate
<b>CH</b>	8955-43 Cinnamon Cherry		

### WOOD STAINS

Standard veneer substrate is maple.

Code	Description	Price
<b>HS</b>	Haystack	Call for Quote
<b>WL</b>	Woodland	
<b>DW</b>	Driftwood	
<b>BB</b>	Barnboard	
<b>CB</b>	Carbon	
<b>NA</b>	Natural	
<b>CS</b>	Custom Stain	

### CUSTOM LAMINATES

Code	Supplier & Laminate Code	Code	Supplier & Laminate Code
<b>FO##</b>	Formica - TBD	<b>NE##</b>	Nevamar- TBD
<b>WA##</b>	Wilson Art- TBD	<b>AR##</b>	Arborite- TBD
<b>PI##</b>	Pionite- TBD		
Call for Quote			
Insert specific laminate code in place of ##			

For specialty compact laminates please call us at 1-800-263-2387 or email us at customerservice@egan.com

# CR300 Credenza Series

## INTERIOR RACK CABINET OPTIONS

### 3 (A). FRONT RACK RAILS

Front Rack Rails				Rack Size Impact Other Options			
Code	Rack Rail	Product	Availability	Front Door (Style determined by Rack Rail sizing)	Adjustable Shelves	Castors	Price
FR12	12RU	CR312	Included	Standard Size Front Door	Not Available	4.5" Castors	\$ 0
FR16	16RU	CR316	Included	Standard Size Front Door	Not Available	4.5" Castors	\$ 0
FR20	20RU	CR320	Included	Standard Size Front Door	Not Available	4.5" Castors	\$ 0

### 3 (B). REAR RACK RAILS

Rear Rack Rails				Rack Size Impact Other Options			
Code	Rack Rail	Product	Availability	Front Door (Style determined by Rack Rail sizing)	Adjustable Shelves	Castors	Price
RR12	12RU	CR312	Available	Standard Size Front Door	Not Available	4.5" Castors	\$150
RR16	16RU	CR316	Available	Standard Size Front Door	Not Available	4.5" Castors	\$170
RR20	20RU	CR320	Available	Standard Size Front Door	Not Available	4.5" Castors	\$180

### 4. ADJUSTABLE SHELVES

Code	Description	Price
AS	Adjustable Shelf	\$130

You cannot order Adjustable Shelves with rack rails

## CABINET OPTIONS

### 5. DOOR

Code	Description	Price
FLD	Front Locking laminate Doors	\$ 0

### 6. LOCKS

Code	Description	Price
LK	Locks	\$ 0
NL	No Locks	\$ 0
COM	Custom Locks	Call for Quote

For custom order lock requests please call us at 1-800-263-2387 or email us at customerservice@egan.com

### 7. CASTORS

Code	Description	Price
CT4	4.5" Castors	\$ 0
PCT4	4.5" Premium Castors	\$210
LL	Levelers	\$111

## ACCESSORIES & CUSTOMIZATION

### 8. POWER

You may select multiple power options

Code	Description	Price
PB	Power Bar	\$120
PBR	Power Bar Rack	\$260
AC4USB	AC4 Plus USB Chargers	\$210
CWG2	Small Interactive Cable Well	\$637

### 9. HARDWARE

Code	Description	Price
DP200	Dual pole TV mount, 37" – 85" TV, camera mount included	\$1,160
DP400	Dual TV mount – Maximum 65"x2 – Camera mount included 4.	\$1,580
TT200	Tabletop flat panel mount, holds most 37" to 85" TV's	\$960
TT400	Tabletop dual flat panel mount – maximum two 65" TV's.	\$1,430

# CR300 Credenza Series

## 10. FANS

Code	Description	Price
<b>QF3</b>	Quiet Fan - 3PK	\$ 0
<b>TF3</b>	Thermo Fan - 3PK	\$270

## 11. VENTILATION PANELS

Code	Description	Price
<b>V15SV</b>	Vent Panel 3.5" X 15" – in Silver Color	\$110
<b>V15BL</b>	Vent Panel 3.5" X 15" – in Black Color	\$110
<b>V15WH</b>	Vent Panel 3.5" X 15" – in White Color	\$110
<b>V19SV</b>	Vent Panel 3.5" X 19" – in Silver Color	\$110
<b>V19BL</b>	Vent Panel 3.5" X 19" – in Black Color	\$110
<b>V19WH</b>	Vent Panel 3.5" X 19" – in White Color	\$110

## EGANINK

Specify EganINK on EVS, Glass, and acoustic/tackable materials. Please reach to our team for an EganINK quote with your custom art file.

## CUT OUT

Additional CUT OUTs are \$150. Please reach out to our team to specify location.

## ENGRAVINGS

Please reach to our team for an Engraving quote with your custom art file.

## HOW TO ORDER

**CR312 BW FR12 FLD LK CT4 PB DP200 QF3**

1. Product Code    2. Body Finish    3. Rack Rails    5. Door    6. Locks    7. Castors / Levelers    8. Power    9. Hardware    10. Fans

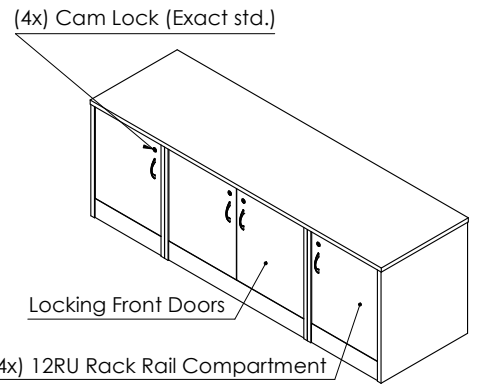
**V15SV**

11. Ventilation Panels

Credenzas

# CR412 Credenza

Exterior or Interior	Feature	Feature Included
<b>Exterior</b>	Surface Color	Standard laminates with matching or non-matching edge banding
	Doors	Front Locking Doors
	Rear Access Panel	Removable Locking Rear Access Panel
	Castors	4.5" Castors – 2 locking and 2 non-locking
<b>Interior</b>	Rack Rails	12RU front rack rails (4 pairs)
	Air Flow	4 Quiet cooling fans (50CFM)



1. PRODUCT CODE	Code	Feature	Price
<b>CR412</b>		87-3/8"Wx26-1/8"Dx30-3/4"H	\$5,360
<b>CR412XD</b>		87-3/8"Wx30"Dx30-3/4"H	\$5,730

## 2. EXTERIOR CREDENZA COLOR OPTIONS

### LAMINATES

Code	Description	Code	Description
<b>BW</b>	459-58 Brite White	<b>ST</b>	9319-BH Stainless
<b>BLK</b>	909-58 Black	<b>AB</b>	5784 Ashwood Bone
<b>BF</b>	8916-58 Blackened Fiberwood	<b>WWB</b>	6372 Whitewashed Birchply
<b>CO</b>	9374-43 Cocoa Oak	<b>SC</b>	7759-43 Select Cherry
<b>HW</b>	5788 Hazel Walnut	<b>NM</b>	9236-43 Noble Mahogany
<b>BE</b>	5793 Buff Elm	<b>CM</b>	7738-58 Cognac Maple
<b>PG</b>	902-58 Platinum Grey	<b>SM</b>	9237-58 Sand Maple
<b>GG</b>	9300-58 Gray Grafix	<b>HPL</b>	Custom High-Pressure Laminate
<b>CH</b>	8955-43 Cinnamon Cherry		

### WOOD STAINS

Standard veneer substrate is maple.

Code	Description	Price
<b>HS</b>	Haystack	Call for Quote
<b>WL</b>	Woodland	
<b>DW</b>	Driftwood	
<b>BB</b>	Barnboard	
<b>CB</b>	Carbon	
<b>NA</b>	Natural	
<b>CS</b>	Custom Stain	

### CUSTOM LAMINATES

Code	Supplier & Laminate Code	Price
<b>FO##</b>	Formica - TBD	Call for Quote
<b>WA##</b>	Wilson Art- TBD	
<b>PI##</b>	Pionite- TBD	
<b>NE##</b>	Nevamar- TBD	
<b>AR##</b>	Arborite- TBD	
Insert specific laminate code in place of ##		

For specialty compact laminates please call us at 1-800-263-2387 or email us at customerservice@egan.com

## INTERIOR RACK CABINET OPTIONS

### 3 (A). FRONT RACK RAILS

Front Rack Rails			Rack Size Impact Other Options			
Code	Rack Rail	Availability	Front Door (Style determined by Rack Rail sizing)	Adjustable Shelves	Castors	Price
<b>FR12</b>	12RU	*Included	Standard Size Front Doors	Not Available	4.5" Castors	\$150

\*Included for all four (4) compartments.

# CR412 Credenza

Credenzas

### 3 (B). REAR RACK RAILS

Rear Rack Rails			Rack Size Impact Other Options			
Code	Rack Rail	Availability	Front Door (Style determined by Rack Rail sizing)	Adjustable Shelves	Castors	Price
RR12	12RU	Available	Included	Not Available	Included	\$150

### 4. ADJUSTABLE SHELVES

Code	Description	Price
AS	Adjustable Shelf	\$130

You cannot order Adjustable Shelves with rack rails

## EXTERIOR CABINET RACK OPTIONS

### 5. DOOR

Code	Description	Price
FLD	Front Locking Doors	\$ 0

### 6. LOCKS

Code	Description	Price
LK	Locks	\$ 0
NL	No Locks	\$ 0
COM	Custom Locks	Call for Quote

For custom order lock requests please call us at 1-800-263-2387 or email us at customerservice@egan.com

### 7. CASTORS

Code	Description	Price
CT4	4.5" Castors	\$ 0
PCT4	4.5" Premium Castors	\$210
LL	Levelers	\$111

## ACCESSORIES & CUSTOMIZATION

### 8. POWER

You may select multiple power options

Code	Description	Price
PB	Power Bar	\$120
PBR	Power Bar Rack	\$260
AC4USB	AC4 Plus USB Chargers	\$210
CWG2	Small Interactive Cable Well	\$637

### 9. HARDWARE

Code	Description	Price
DP200	Dual pole TV mount, 37" – 85" TV, camera mount included	\$1,160
DP400	Dual TV mount – Maximum 65"x2 – Camera mount included 4.	\$1,580
TT200	Tabletop flat panel mount, holds most 37" to 85" TV's	\$960
TT400	Tabletop dual flat panel mount – maximum two 65" TV's.	\$1,430

### 10. FANS

Code	Description	Price
QF4	Quiet Fan - 4PK	\$ 0
TF4	Thermo Fan - 4PK	\$270

### 11. VENTILATION PANELS

Code	Description	Price
V15SV	Vent Panel 3.5" X 15" – in Silver Color	\$110
V15BL	Vent Panel 3.5" X 15" – in Black Color	\$110
V15WH	Vent Panel 3.5" X 15" – in White Color	\$110
V19SV	Vent Panel 3.5" X 19" – in Silver Color	\$110
V19BL	Vent Panel 3.5" X 19" – in Black Color	\$110
V19WH	Vent Panel 3.5" X 19" – in White Color	\$110

# CR412 Credenza

**EGANINK**

Specify EganINK on EVS, Glass, and acoustic/tackable materials. Please reach to our team for an EganINK quote with your custom art file.

**CUT OUT**

Additional CUT OUTs are \$150. Please reach out to our team to specify location.

**ENGRAVINGS**

Please reach to our team for an Engraving quote with your custom art file.

**HOW TO ORDER**

**CR412 BW FR12 FLD LK CT4 PB DP200**

1. Product Code

2. Body Finish

3. Rack Rails

5. Door

6. Locks

7. Castors /  
Levelers

8. Power

9. Hardware

**QF4 V15SV**

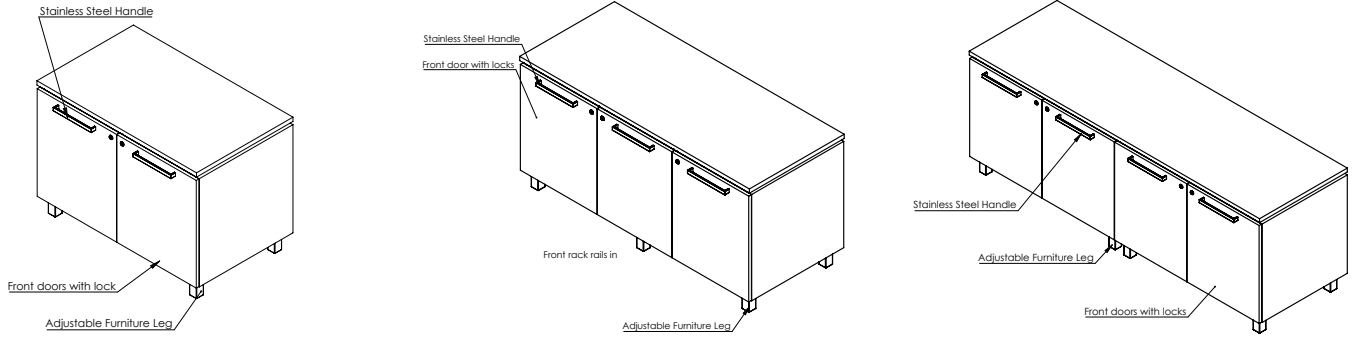
10. Fans

11. Ventilation Panels



# DC Designer Credenza Series

Credenzas



Exterior or Interior	Feature	Feature Included
<b>Exterior</b>	Surface Color	Standard laminates with matching or non-matching edge banding
	Doors	Front Locking Doors
	Rear Panel	Removable Rear Panel
	Levelers	Square furniture feet with levelers
<b>Interior</b>	Rack Rails	12RU front rack rails - 2pairs (DC212). 16RU front rack rails - 3 pairs (DC312). 20RU front rack rails 4 pairs (DC412).
	Air Flow	Quiet cooling fans - 50CFM. Two fans for DC212, three fans for DC312, and four for DC412.

1. PRODUCT CODE	Code	Feature	Price
	<b>DC212</b>	43"Wx26"Dx30-15/16"H	\$3,670
	<b>DC216</b>	62-3/4"Wx26"Dx30-15/16"H	\$5,180
	<b>DC220</b>	86"Wx26"Dx30-15/16"H	\$6,700

## 2. EXTERIOR CREDENZA COLOR OPTIONS

### LAMINATES

Code	Description	Code	Description
<b>BW</b>	459-58 Brite White	<b>ST</b>	9319-BH Stainless
<b>BLK</b>	909-58 Black	<b>AB</b>	5784 Ashwood Bone
<b>BF</b>	8916-58 Blackened Fiberwood	<b>WWB</b>	6372 Whitewashed Birchply
<b>CO</b>	9374-43 Cocoa Oak	<b>SC</b>	7759-43 Select Cherry
<b>HW</b>	5788 Hazel Walnut	<b>NM</b>	9236-43 Noble Mahogany
<b>BE</b>	5793 Buff Elm	<b>CM</b>	7738-58 Cognac Maple
<b>PG</b>	902-58 Platinum Grey	<b>SM</b>	9237-58 Sand Maple
<b>GG</b>	9300-58 Gray Grafix	<b>HPL</b>	Custom High-Pressure Laminate
<b>CH</b>	8955-43 Cinnamon Cherry		

### WOOD STAINS

Standard veneer substrate is maple.

Code	Description	Price
<b>HS</b>	Haystack	Call for Quote
<b>WL</b>	Woodland	
<b>DW</b>	Driftwood	
<b>BB</b>	Barnboard	
<b>CB</b>	Carbon	
<b>NA</b>	Natural	
<b>CS</b>	Custom Stain	

### CUSTOM LAMINATES

Code	Supplier & Laminate Code	Code	Supplier & Laminate Code
<b>FO##</b>	Formica - TBD	<b>NE##</b>	Nevamar- TBD
<b>WA##</b>	Wilson Art- TBD	<b>AR##</b>	Arborite- TBD
<b>PI##</b>	Pionite- TBD		
Call for Quote			
Insert specific laminate code in place of ##			

For specialty compact laminates please call us at 1-800-263-2387 or email us at customerservice@egan.com

# DC Designer Credenza Series

## INTERIOR RACK CABINET OPTIONS

### 3 (A). FRONT RACK RAILS

Front Rack Rails				Rack Size Impact Other Options			
Code	Rack Rail	Product	Availability	Front Door (Style determined by Rack Rail sizing)	Adjustable Shelves	Levelers	Price
FR12	12RU	DC212	Included	Included	Not Available	Square tube with levelers	\$150
FR16	16RU	DC216	Included	Included	Not Available	Square tube with levelers	\$170
FR20	20RU	DC220	Included	Included	Not Available	Square tube with levelers	\$180

### 3 (B). REAR RACK RAILS

Rear Rack Rails				Rack Size Impact Other Options			
Code	Rack Rail	Product	Availability	Front Door (Style determined by Rack Rail sizing)	Adjustable Shelves	Levelers	Price
RR12	12RU	DC212	Available	Standard Size Front Door	Not Available	Square tube with levelers	\$150
RR16	16RU	DC216	Available	Standard Size Front Door	Not Available	Square tube with levelers	\$170
RR20	20RU	DC220	Available	Standard Size Front Door	Not Available	Square tube with levelers	\$180

### 4. ADJUSTABLE SHELVES

Code	Description	Price
AS	Adjustable Shelf	\$130

You cannot order Adjustable Shelves with rack rails

## EXTERIOR RACK

### 5. DOOR

Code	Description	Price
FLD	Front Locking Doors	\$ 0

### 6. LOCKS

Code	Description	Price
LK	Locks	\$ 0
NL	No Locks	\$ 0
COM	Custom Locks	Call for Quote

For custom order lock requests please call us at 1-800-263-2387 or email us at customerservice@egan.com

### 7. CASTORS OR LEVELERS

Code	Description	Price
CT4	4.5" Castors	\$ 0
PCT4	4.5" Premium Castors	\$210
LL	Levelers	\$111

## ACCESSORIES & CUSTOMIZATION

### 8. POWER

You may select multiple power options

Code	Description	Price
PB	Power Bar	\$120
PBR	Power Bar Rack	\$260
AC4USB	AC4 Plus USB Chargers	\$210
CWG2	Small Interactive Cable Well	\$637

### 9. HARDWARE

\*DP400 & TT400 are not available on the DC212

Code	Description	Price
DP200	Dual pole TV mount, 37" – 85" TV, camera mount included	\$1,160
DP400	Dual TV mount – Maximum 65"x2 – Camera mount included 4. *Not available on DC212.	\$1,580
TT200	Tabletop flat panel mount, holds most 37" to 85" TV's	\$960
TT400	Tabletop dual flat panel mount – maximum two 65" TV's. *Not available on DC212.	\$1,430

# DC Designer Credenza Series

## 10. FANS

Code	Description	Price
<b>QF2</b>	Quiet Fan - 2PK (For DC212, 216, DC220)	\$ 0
<b>QF3</b>	Quiet Fan - 3PK	\$ 0
<b>QF4</b>	Quiet Fan - 4PK	\$ 0
<b>TF2</b>	Thermo Fan - 2PK	\$270
<b>TF3</b>	Thermo Fan - 3PK	\$540
<b>TF4</b>	Thermo Fan - 4PK	\$810

## 11. VENTILATION PANELS

Code	Description	Price
<b>V15SV</b>	Vent Panel 3.5" X 15" – in Silver Color	\$110
<b>V15BL</b>	Vent Panel 3.5" X 15" – in Black Color	\$110
<b>V15WH</b>	Vent Panel 3.5" X 15" – in White Color	\$110
<b>V19SV</b>	Vent Panel 3.5" X 19" – in Silver Color	\$110
<b>V19BL</b>	Vent Panel 3.5" X 19" – in Black Color	\$110
<b>V19WH</b>	Vent Panel 3.5" X 19" – in White Color	\$110

### EGANINK

Specify EganINK on EVS, Glass, and acoustic/tackable materials. Please reach to our team for an EganINK quote with your custom art file.

### CUT OUT

Additional CUT OUTS are \$150. Please reach out to our team to specify location.

### ENGRAVINGS

Please reach to our team for an Engraving quote with your custom art file.

## HOW TO ORDER

**DC212 BW FR12 FLD LK LL PB DP200**



**QF2 V15SV**



## Rack Cabinets & Carts

### ■ Rack Cabinets & Carts

---

- AVCAB Series
- RA Series
- RE Series
- CE160 RACK Cabinet

**EGAN**

**RACK CABINETS  
& CARTS**

**BUILT  
TO INSPIRE**

# AVCAB Series

## INTERIOR RACKING OPTIONS - RACK RAILS

### 3(a). FRONT RACK RAILS

Model	Code	Description	Standard/Available	Adjustable Shelves	Keyboard	Price
AVCAB12	FR12	12RU Front Rack Rail	Standard	Not Available	Not Available	\$ 0
AVCAB16	FR16	16RU Front Rack Rail	Standard	Not Available	Not Available	\$ 0
AVCAB20	FR20	20RU Front Rack Rail	Standard	Not Available	Not Available	\$ 0

### 3(b). REAR RACK RAILS

Model	Code	Description	Standard/Available	Adjustable Shelves	Keyboard	Price
AVCAB12	RR12	12RU Rear Rack Rail	Available	Not Available	Not Available	\$150
AVCAB16	RR16	16RU Rear Rack Rail	Available	Not Available	Not Available	\$170
AVCAB20	RR20	20RU Rear Rack Rail	Available	Not Available	Not Available	\$180

## EXTERIOR OPTIONS

### 4. SIDE SHELF

Code	Description	Price
SSL	Side Shelf Left	\$260
SSR	Side Shelf Right	\$260
SSB	Side Shelf Both	\$260

## INTERIOR OPTIONS

### 5. ADJUSTABLE SHELVES

Code	Description	Price
AS	Adjustable Shelf	\$130

You cannot order Adjustable Shelves with rack rails

### 6. KEYBOARD PULL OUT SHELF

Code	Description	Price
NKB	No Keyboard Pull Out Shelf	\$ 0
KB	Keyboard Pull Out Shelf	\$ 0

## ACCESSORIES & CUSTOMIZATION

### 7. POWER

You may select multiple power options

Code	Description	Price
PB	Power Bar	\$120
PBR	Power Bar Rack	\$260

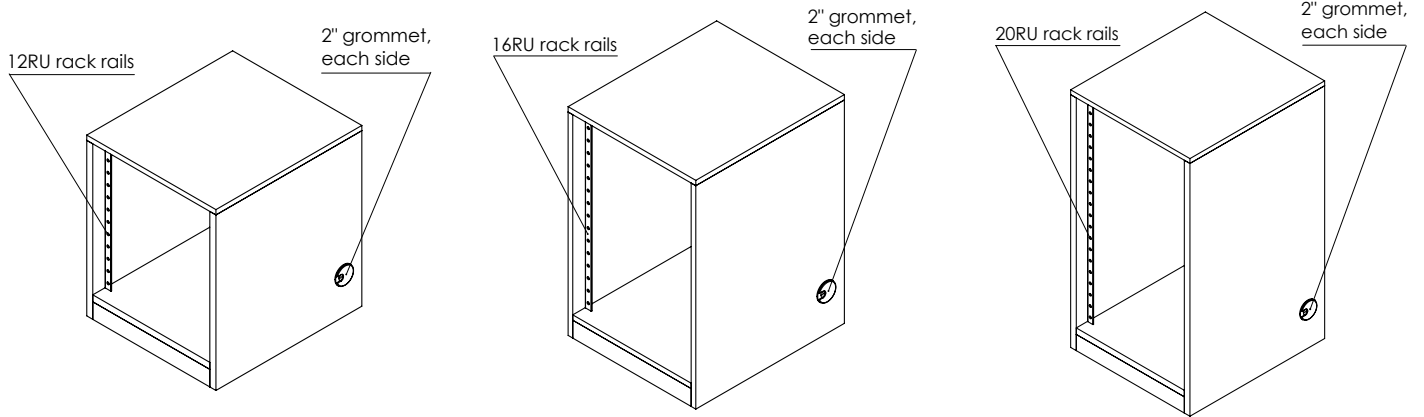
### 8. FANS

Code	Description	Price
QF1	Quiet Fan - 1PK	\$200
QF2	Quiet Fan - 2PK	\$400
TF1	Thermo Fan - 1PK	\$270
TF2	Thermo Fan - 2PK	\$540

### 9. VENTILATION PANELS

Code	Description	Price
V15SV	Vent Panel 3.5" X 15" – in Silver Color	\$110
V15BL	Vent Panel 3.5" X 15" – in Black Color	\$110
V15WH	Vent Panel 3.5" X 15" – in White Color	\$110
V19SV	Vent Panel 3.5" X 19" – in Silver Color	\$110
V19BL	Vent Panel 3.5" X 19" – in Black Color	\$110
V19WH	Vent Panel 3.5" X 19" – in White Color	\$110

# AVCAB Series



Exterior or Interior	Feature	Feature Included
Exterior	Surface Color	Standard laminates with matching or non-matching edge banding
	Back Panel	Removable Locking Back Panel
	Levelers	Levelers
Interior	Rack Rails	12RU Front Rack Rails – AVCAB12 16RU Front Rack Rails – AVCAB16 20RU Front Rack Rails – AVCAB20
	Cable Management System	Grommets included

## 1. PRODUCT CODE

Code	Feature	Price
<b>AVCAB12</b>	21-1/4" W x 25-3/4"H x 24"D	\$1,220
<b>AVCAB16</b>	21-1/4" W x 32-3/4"H x 24"D	\$1,310
<b>AVCAB20</b>	21-1/4" W x 39-3/4"H x 24"D	\$1,400

## 2. EXTERIOR CREDENZA COLOR OPTIONS

### LAMINATES

Code	Description	Code	Description
<b>BW</b>	459-58 Brite White	<b>ST</b>	9319-BH Stainless
<b>BLK</b>	909-58 Black	<b>AB</b>	5784 Ashwood Bone
<b>BF</b>	8916-58 Blackened Fiberwood	<b>WWB</b>	6372 Whitewashed Birchply
<b>CO</b>	9374-43 Cocoa Oak	<b>SC</b>	7759-43 Select Cherry
<b>HW</b>	5788 Hazel Walnut	<b>NM</b>	9236-43 Noble Mahogany
<b>BE</b>	5793 Buff Elm	<b>CM</b>	7738-58 Cognac Maple
<b>PG</b>	902-58 Platinum Grey	<b>SM</b>	9237-58 Sand Maple
<b>GG</b>	9300-58 Gray Grafix	<b>HPL</b>	Custom High-Pressure Laminate
<b>CH</b>	8955-43 Cinnamon Cherry		

### WOOD STAINS

Standard veneer substrate is maple.

Code	Description	Price
<b>HS</b>	Haystack	Call for Quote
<b>WL</b>	Woodland	
<b>DW</b>	Driftwood	
<b>BB</b>	Barnboard	
<b>CB</b>	Carbon	
<b>NA</b>	Natural	
<b>CS</b>	Custom Stain	

### CUSTOM LAMINATES

Code	Supplier & Laminate Code	Code	Supplier & Laminate Code
<b>FO##</b>	Formica - TBD	<b>NE##</b>	Nevamar- TBD
<b>WA##</b>	Wilson Art- TBD	<b>AR##</b>	Arborite- TBD
<b>PI##</b>	Pionite- TBD		
Call for Quote			
Insert specific laminate code in place of ##			

For specialty compact laminates please call us at 1-800-263-2387 or email us at customerservice@egan.com

# AVCAB Series

## EGANINK

Specify EganINK on EVS, Glass, and acoustic/tackable materials. Please reach to our team for an EganINK quote with your custom art file.

## CUT OUT

Additional CUT OUTs are \$150. Please reach out to our team to specify location.

## ENGRAVINGS

Please reach to our team for an Engraving quote with your custom art file.

## HOW TO ORDER

**AVCAB12 BW FR12 SSL KB PB QF1 V15SV**

1. Product Code

2. Body Finish

3. Rack Rails

4. Side Shelf

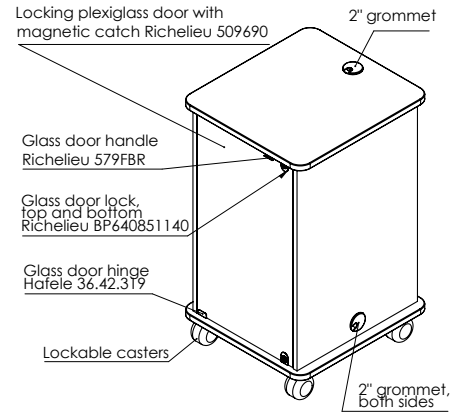
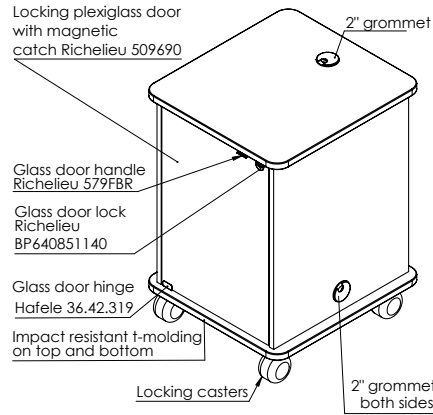
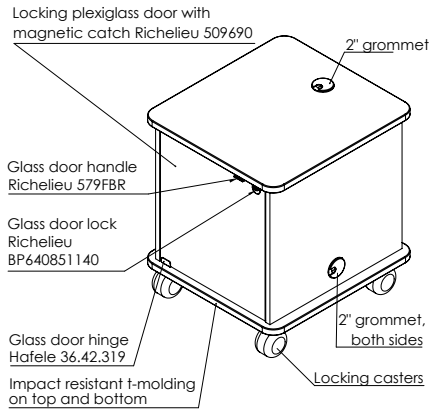
6. Keyboard

7. Power

8. Fans

9. Ventilation Panels

# RA Series



Rack Cabinets & Carts

Exterior or Interior	Feature	Feature Included
<b>Exterior</b>	Surface Color	Standard laminates with matching or non-matching edge banding
	Edge Color	Black T-mould edging for top and bottom
	Rack Door	Locking Plexiglass Door
	Rear Access Panel	Removable Access Panel
	Castors	4.5" Castors – 2 locking and 2 non-locking
<b>Interior</b>	Rack Rails	12RU front rack rails (RA-120) 16RU front rack rails (RA-160) 20RU front rack rails (RA-200)

## 1. PRODUCT CODE

Code	Feature	Price
<b>RA120</b>	24" W x 28"H x 26"D	\$1,340
<b>RA160</b>	24" W x 35"H x 26"D	\$1,430
<b>RA200</b>	24" W x 40"H x 26"D	\$1,550

## 2. SURFACE COLOR

### LAMINATES

Code	Description	Code	Description
<b>BW</b>	459-58 Brite White	<b>ST</b>	9319-BH Stainless
<b>BLK</b>	909-58 Black	<b>AB</b>	5784 Ashwood Bone
<b>BF</b>	8916-58 Blackened Fiberwood	<b>WWB</b>	6372 Whitewashed Birchply
<b>CO</b>	9374-43 Cocoa Oak	<b>SC</b>	7759-43 Select Cherry
<b>HW</b>	5788 Hazel Walnut	<b>NM</b>	9236-43 Noble Mahogany
<b>BE</b>	5793 Buff Elm	<b>CM</b>	7738-58 Cognac Maple
<b>PG</b>	902-58 Platinum Grey	<b>SM</b>	9237-58 Sand Maple
<b>GG</b>	9300-58 Gray Grafix	<b>HPL</b>	Custom High-Pressure Laminate
<b>CH</b>	8955-43 Cinnamon Cherry		



# RA Series

## CUSTOM LAMINATES

Code	Supplier & Laminate Code	Code	Supplier & Laminate Code
<b>FO##</b>	Formica - TBD	<b>NE##</b>	Nevamar- TBD
<b>WA##</b>	Wilson Art- TBD	<b>AR##</b>	Arborite- TBD
<b>PI##</b>	Pionite- TBD		
Call for Quote			
Insert specific laminate code in place of ##			

For specialty compact laminates please call us at 1-800-263-2387 or email us at customerservice@egan.com

## WOOD STAINS

Standard veneer substrate is maple.

Code	Description	Price
<b>HS</b>	Haystack	Call for Quote
<b>WL</b>	Woodland	
<b>DW</b>	Driftwood	
<b>BB</b>	Barnboard	
<b>CB</b>	Carbon	
<b>NA</b>	Natural	
<b>CS</b>	Custom Stain	

Rack Cabinets & Carts

## INTERIOR RACKING OPTIONS - RACK RAILS

### 3(a). FRONT RACK RAILS

Model	Code	Description	Standard/Available	Adjustable Shelves	Keyboard	Price
<b>RA120</b>	FR12	12RU Front Rack Rail	Standard	Not Available	Not Available	\$ 0
<b>RA160</b>	FR16	16RU Front Rack Rail	Standard	Not Available	Not Available	\$ 0
<b>RA200</b>	FR20	20RU Front Rack Rail	Standard	Not Available	Not Available	\$ 0

### 3(b). REAR RACK RAILS

Model	Code	Description	Standard/Available	Adjustable Shelves	Keyboard	Price
<b>RA120</b>	RR12	12RU Rear Rack Rail	Available	Not Available	Not Available	\$150
<b>RA160</b>	RR16	16RU Rear Rack Rail	Available	Not Available	Not Available	\$170
<b>RA200</b>	RR20	20RU Rear Rack Rail	Available	Not Available	Not Available	\$180

## EXTERIOR OPTIONS

### 4. DOOR

Code	Description	Price
<b>FPD</b>	Front Plexiglass Screen Door	\$ 0
<b>FLD</b>	Solid Front Locking Door	\$300
<b>NFD</b>	No Front Door	\$ 0

### 5. LOCKS

Code	Description	Price
<b>LK</b>	Locks	\$ 0
<b>NL</b>	No Locks	\$ 0
<b>COM</b>	Custom Locks	Call for Quote

For custom order lock requests please call us at 1-800-263-2387 or email us at customerservice@egan.com

### 6. CASTORS OR LEVELERS

Code	Description	Price
<b>CT4</b>	4.5" Castors	\$ 0
<b>PCT4</b>	Premium 4.5" Castors – 2 locking and non-locking	\$210

### 7. SIDE SHELF

Code	Description	Price
<b>SSL</b>	Side Shelf Left	\$260
<b>SSR</b>	Side Shelf Right	\$260
<b>SSB</b>	Side Shelf Both	\$520

# RA Series

## INTERIOR OPTIONS

### 8. ADJUSTABLE SHELVES

Code	Description	Price
AS	Adjustable Shelf	\$130

You cannot order Adjustable Shelves with rack rails  
Two Adjustable shelves are available to order

### 9. KEYBOARD PULL OUT SHELF

Code	Description	Price
NKB	No Keyboard Pull Out Shelf	\$ 0
KB	Keyboard Pull Out Shelf	\$270

## ACCESSORIES & CUSTOMIZATION

### 10. POWER

You may select multiple power options

Code	Description	Price
PB	Power Bar	\$120
PBR	Power Bar Rack	\$260

### 11. FANS

Code	Description	Price
QF1	Quiet Fan - 1PK	\$200
QF2	Quiet Fan - 2PK	\$400
TF1	Thermo Fan - 1PK	\$270
TF2	Thermo Fan - 2PK	\$540

### 12. VENTILATION PANELS

You may select multiple ventilation panels

Code	Description	Price
V15SV	Vent Panel 3.5" X 15" – in Silver Color	\$110
V15BL	Vent Panel 3.5" X 15" – in Black Color	\$110
V15WH	Vent Panel 3.5" X 15" – in White Color	\$110
V19SV	Vent Panel 3.5" X 19" – in Silver Color	\$110
V19BL	Vent Panel 3.5" X 19" – in Black Color	\$110
V19WH	Vent Panel 3.5" X 19" – in White Color	\$110

Ventilation panel location is determined by engineering for maximum circulation of air flow.

### EGANINK

Specify EganINK on EVS, Glass, and acoustic/tackable materials. Please reach to our team for an EganINK quote with your custom art file.

### CUT OUT

Additional CUT OUTs are \$150. Please reach out to our team to specify location.

### ENGRAVINGS

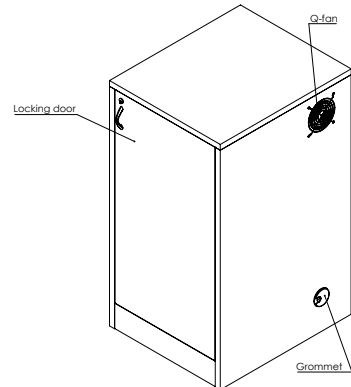
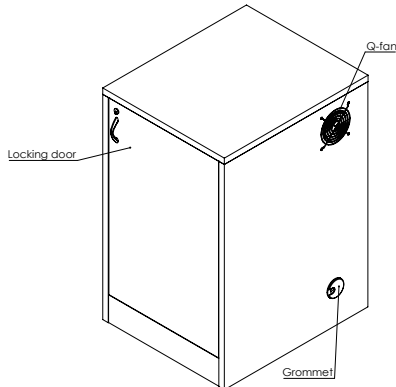
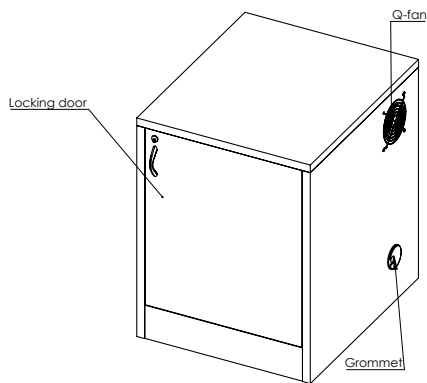
Please reach to our team for an Engraving quote with your custom art file.

### HOW TO ORDER

**RA120 BW FR12 FPD LK CT4 SSL KB PB QF1 V15SV**

1. Product Code    2. Body Finish    3. Rack Rails    4. Door    5. Locks    6. Castors or Levelers    7. Side Shelf    9. Keyboard    10. Power    11. Fans    12. Ventilation Panels

# RE Series



Exterior or Interior	Feature	Feature Included
<b>Exterior</b>	Surface Color	Standard laminates with matching or non-matching edge banding
	Front Door	Locking Front Door
	Rear Access Panel	Removable Locking Back Access Panel
	Castors	4.5" Castors – 2 locking and 2 non-locking
<b>Interior</b>	Rack Rails	12RU front rails available for RE112 16RU front rails available for RE116 20RU front rack rails available for RE120.
	Fan	Quiet Cooling Fan included.

## 1. PRODUCT CODE

Code	Feature	Price
<b>RE112</b>	22" W x 30"H x 26"D	\$1,640
<b>RE116</b>	24" W x 37-3/4"H x 26"D	\$1,940
<b>RE120</b>	24" W x 43-5/8"H x 26"D	\$2,240

## 2. SURFACE COLOR

### LAMINATES

Code	Description	Code	Description
<b>BW</b>	459-58 Brite White	<b>ST</b>	9319-BH Stainless
<b>BLK</b>	909-58 Black	<b>AB</b>	5784 Ashwood Bone
<b>BF</b>	8916-58 Blackened Fiberwood	<b>WWB</b>	6372 Whitewashed Birchply
<b>CO</b>	9374-43 Cocoa Oak	<b>SC</b>	7759-43 Select Cherry
<b>HW</b>	5788 Hazel Walnut	<b>NM</b>	9236-43 Noble Mahogany
<b>BE</b>	5793 Buff Elm	<b>CM</b>	7738-58 Cognac Maple
<b>PG</b>	902-58 Platinum Grey	<b>SM</b>	9237-58 Sand Maple
<b>GG</b>	9300-58 Gray Grafix	<b>HPL</b>	Custom High-Pressure Laminate
<b>CH</b>	8955-43 Cinnamon Cherry		

### WOOD STAINS

Standard veneer substrate is maple.

Code	Description	Price
<b>HS</b>	Haystack	Call for Quote
<b>WL</b>	Woodland	
<b>DW</b>	Driftwood	
<b>BB</b>	Barnboard	
<b>CB</b>	Carbon	
<b>NA</b>	Natural	
<b>CS</b>	Custom Stain	

### CUSTOM LAMINATES

Code	Supplier & Laminate Code	Code	Supplier & Laminate Code
<b>FO##</b>	Formica- TBD	<b>NE##</b>	Nevamar- TBD
<b>WA##</b>	Wilson Art- TBD	<b>AR##</b>	Arborite- TBD
<b>PI##</b>	Pionite- TBD		
Call for Quote			
Insert specific laminate code in place of ##			

For specialty compact laminates please call us at 1-800-263-2387 or email us at customerservice@egan.com

# RE Series

## INTERIOR RACKING OPTIONS - RACK RAILS

### 3(a). FRONT RACK RAILS

Model	Code	Description	Standard/Available	Adjustable Shelves	Keyboard	Price
RE112	FR12	12RU Front Rack Rail	Standard	Not Available	Not Available	\$ 0
RE116	FR16	16RU Front Rack Rail	Standard	Not Available	Not Available	\$ 0
RE120	FR20	20RU Front Rack Rail	Standard	Not Available	Not Available	\$ 0

### 3(b). REAR RACK RAILS

Model	Code	Description	Standard/Available	Adjustable Shelves	Keyboard	Price
RE112	RR12	12RU Rear Rack Rail	Available	Not Available	Not Available	\$150
RE116	RR16	16RU Rear Rack Rail	Available	Not Available	Not Available	\$170
RE120	RR20	20RU Rear Rack Rail	Available	Not Available	Not Available	\$180

## EXTERIOR OPTIONS

### 4. DOOR

Code	Description	Price
FLD	Solid Front Locking Door	\$ 0
NFD	No Front Door	\$ 0

### 5. REAR ACCESS DOOR

Code	Description	Price
RLD	Rear Locking Access Door	\$ 0

### 6. LOCKS

Code	Description	Price
LK	Locks	\$ 0
NL	No Locks	\$ 0
COM	Custom Locks	Call for Quote

For custom order lock requests please call us at 1-800-263-2387 or email us at customerservice@egan.com

### 7. CASTORS OR LEVELERS

You may select multiple ventilation panels

Code	Description	Price
CT4	4.5" Castors	\$ 0
LL	Levelers	\$111

### 8. SIDE SHELF

Code	Description	Price
SSL	Side Shelf Left	\$260
SSR	Side Shelf Right	\$260
SSB	Side Shelf Both	\$520

Side shelves cannot be ordered with castors; levelers must be ordered with side shelves instead.

## INTERIOR OPTIONS

### 9. ADJUSTABLE SHELVES

Code	Description	Price
AS	Adjustable Shelf	\$130

You cannot order Adjustable Shelves with rack rails

# RE Series

## ACCESSORIES & CUSTOMIZATION

### 10. POWER

You may select multiple power options

Code	Description	Price
<b>PB</b>	Power Bar	\$120
<b>PBR</b>	Power Bar Rack	\$260
<b>CWG2</b>	Small brushed aluminum cable well, VGA, 3.5 audio, HDMI, Cat6, USB extension	\$637
<b>AC4USB</b>	2 AC Outlets with 2 USB	\$210

### 11. FANS

Code	Description	Price
<b>QF1</b>	Quiet Fan - 1PK	\$200
<b>QF2</b>	Quiet Fan - 2PK	\$400
<b>TF1</b>	Thermo Fan - 1PK	\$270
<b>TF2</b>	Thermo Fan - 2PK	\$540

### 12. VENTILATION PANELS

You may select multiple ventilation panels

Code	Description	Price
<b>V15SV</b>	Vent Panel 3.5" X 15" - in Silver Color	\$110
<b>V15BL</b>	Vent Panel 3.5" X 15" - in Black Color	\$110
<b>V15WH</b>	Vent Panel 3.5" X 15" - in White Color	\$110
<b>V19SV</b>	Vent Panel 3.5" X 19" - in Silver Color	\$110
<b>V19BL</b>	Vent Panel 3.5" X 19" - in Black Color	\$110
<b>V19WH</b>	Vent Panel 3.5" X 19" - in White Color	\$110

Ventilation panel location is determined by engineering for maximum circulation of air flow.

**EGANINK** Specify EganINK on EVS, Glass, and acoustic/tackable materials. Please reach to our team for an EganINK quote with your custom art file.

**CUT OUT** Additional CUT OUTS are \$150. Please reach out to our team to specify location.

**ENGRAVINGS** Please reach to our team for an Engraving quote with your custom art file.

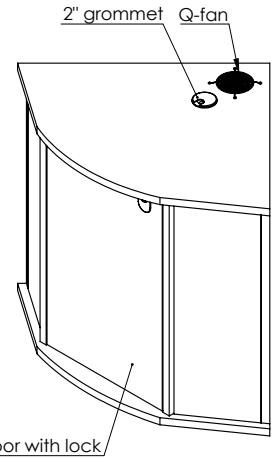
### HOW TO ORDER



Rack Cabinets & Carts

# CE160 Rack Cabinet

Exterior or Interior	Feature	Feature Included
Exterior	Surface Color	Standard laminates with matching edge banding
	Front Door	Front Locking Plexiglass Screen Door
	Side Door	Solid Doors
	Levelers	Levelers
Interior	Rack	20RU front rack rails
	Shelving	2 adjustable shelves are included for side compartments
	Cable Management System	Grommets included.



## 1. PRODUCT CODE

Code	Feature	Price
CE160	50" W x 32"H x 35"D	\$2,830

## 2. SURFACE COLOR

### LAMINATES

Code	Description	Code	Description
BW	459-58 Brite White	ST	9319-BH Stainless
BLK	909-58 Black	AB	5784-Ashwood Bone
BF	8916-58 Blackened Fiberwood	WWB	6372-Whitewashed Birchply
CO	9374-43 Cocoa Oak	SC	7759-43 Select Cherry
HW	5788-Hazel Walnut	NM	9236-43 Noble Mahogany
BE	5793-58 Buff Elm	CM	7738-58 Cognac Maple
PG	902-58 Platinum Grey	SM	9237-58 Sand Maple
GG	9300-58 Gray Grafix	HPL	Custom High-Pressure Laminate
CH	8955-43 Cinnamon Cherry		

### WOOD STAINS

Standard veneer substrate is maple.

Code	Description	Price Upcharge
HS	Haystack	\$2,800
WL	Woodland	
DW	Driftwood	
BB	Barnboard	
CB	Carbon	
NA	Natural	Call for Quote
CS	Custom Stain	

### CUSTOM LAMINATES

Code	Supplier & Laminate Code	Price Upcharge
FO##	Formica - TBD	\$300
WA##	Wilson Art- TBD	
PI##	Pionite- TBD	
NE##	Nevamar- TBD	
AR##	Arborite- TBD	
Insert specific laminate code in place of ##		

For specialty compact laminates please call us at 1-800-263-2387 or email us at customerservice@egan.com

## EXTERIOR OPTIONS

### 3. FRONT DOOR

Code	Description	Price
FPD	Front Plexiglass Screen Door	\$ 0
FLD	Solid Front Locking Door	\$300
NFD	No Front Door	\$ 0

### 4. LOCKS

Code	Description	Price
LK	Locks	\$ 0
NL	No Locks	\$ 0
COM	Custom Locks	Call for Quote

For custom order lock requests please call us at 1-800-263-2387 or email us at customerservice@egan.com

# CE160 Rack Cabinet

## INTERIOR OPTIONS

### 5. ADJUSTABLE SHELVES

Code	Description	Price
NAS	No Adjustable Shelf	\$ 0
AS	Adjustable Shelf	\$130

You cannot order Adjustable Shelves with rack rails

### 6. KEYBOARD PULL OUT SHELF

Code	Description	Price
NKB	No Keyboard Pull Out Shelf	\$ 0
KB	Keyboard Pull Out Shelf	\$270

## INTERIOR OPTIONS

### 7. POWER

Code	Description	Price
PB	Power Bar	\$120
PBR	Power Bar Rack	\$260

### 8. FANS

Code	Description	Price
QF1	Quiet Fan - 1PK	\$ 0
TF1	Thermo Fan - 1PK	\$270

### 9. VENTILATION PANELS

Code	Description	Price
V15SV	Vent Panel 3.5" X 15" – in Silver Color	\$110
V15BL	Vent Panel 3.5" X 15" – in Black Color	\$110
V15WH	Vent Panel 3.5" X 15" – in White Color	\$110
V19SV	Vent Panel 3.5" X 19" – in Silver Color	\$110
V19BL	Vent Panel 3.5" X 19" – in Black Color	\$110
V19WH	Vent Panel 3.5" X 19" – in White Color	\$110

### EGANINK

Specify EganINK on EVS, Glass, and acoustic/tackable materials. Please reach to our team for an EganINK quote with your custom art file.

### CUT OUT

Additional CUT OUTs are \$150. Please reach out to our team to specify location.

### ENGRAVINGS

Please reach to our team for an Engraving quote with your custom art file.

### HOW TO ORDER

**CE160 BW FPD LK FR20 KB PB QF1 V15SV**

1. Product Code

2. Body Finish

3. Door

4. Locks

5. Rack Rails

6. Locks

7. Power

8. Fans

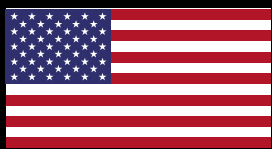
9. Ventilation Panels



**EGAN**

**2024**

**Egan Appendices**





## Custom Color & Color Matching



Having a hard time finding that perfect color? The Infinite Color Program or Custom Color Matching program may be just what you need.

We strive to provide the most accurate representation of your selected color possible. Glass's natural material content may influence the representation of your color when viewed through Egan glass. Egan recommends requesting a clear glass sample to place over the top of your color swatch to provide a more accurate representation of your color's appearance when applied to the back of a GlassWrite markerboard.

### There are three easy ways to choose a color

1. Choose a color from the Infinite Color Program, which will include Pantone colors: [pantone.com](https://www.pantone.com).
2. Specify a color from an industry or commercial standard fan deck (RAL, Pantone, Benjamin Moore, Sherwin-Williams, etc.)
3. Send us your physical color sample, so we can match it accurately.

There is a standard upcharge unless indicated otherwise.

The Custom Color program is limited to color matches that do not have speckles, patterns or any metallic content. Egan uses polymer coatings which may be specified in custom colors. These polymer coatings may add texture or sheen options that will affect the appearance of your chosen finish. Egan will match the color specified as closely as our formulating process allows. Please note that color gloss cannot be matched. There is a standard upcharge unless indicated otherwise. Samples are not provided for approval unless requested, additional charges may apply. Finishes outside of these parameters will be addressed on a sample by sample basis and additional charges may be applicable.

## Custom Stain



Egan encourages custom stain applications. Our finishing system is automated and ensures that the proper amount of stain and lacquer is sprayed on each product. However, as wood is a natural product, each log will vary in color and appearance. Egan's skilled carpenters match doors and components to enhance the natural and variable beauty of real wood.

### Ordering Custom Stain

1. Provide sample with stain applied. Where possible please provide details of stain manufacture, product number, and application details so our crafts people can reproduce the custom stain as accurately as possible within Egan's normal manufacturing process.
2. Egan will produce a sample for review.
3. Egan will require signed approvals with PO. Natural variations are to be expected and are not Egan's responsibility.

### Unfinished Wood Products

Unfinished Wood Products may be ordered:

- By specifying wood species required and
- By tagging it "Ship to customer unfinished."

Preparing a product for custom staining requires additional steps to be taken, at no additional cost. Any complaint regarding the quality of a unit must be registered prior to any finish work being performed.

Note: Presentation Cabinets with tackable fabric panel on the inside of each door on any unfinished unit is supplied with paper wrapped around it to protect the fabric from stain during the finishing process. The paper should be carefully removed by cutting around the perimeter with an appropriate blade.

# EganINK - High Graphic Printing

Sometimes, creative environments need visual interest or structure to inspire and complete thinking. Bold or understated, EganINK complements and sets the mood, whatever your mood may be – KPI templates, care boards, logos, wayfinding, signage, or high-resolution art. EganINK bespoke graphics may be specified on a wide range of Egan products, whether it be stock art or COA. This is where the ability to customize and introduce your own design to our communication tools is useful.

EganINK is an innovative ink system provides high resolution multi-color application of letters/lines/graphics. EganINK gives you the flexibility to uniquely communicate your message, showcase your brand, and express your ideas. With infinite possibilities for customization with lines, grids, dots, letters, logos, graphics and full-color art, you can create one-of-a-kind charts and collaboration boards that truly inspire. The design intent of EganINK is that it will represent most artwork and logos faithfully at a normal viewing distance, allowing you to have a functional workspace that is in harmony with your corporate identity and the design of the room. GlassWrite and EVS products may be printed on. EganINK has a limited 1 year warranty.

EganINK has been set up to be easily priced,

1. For Prints of 1sqft or less apply a \$300 upcharge
2. For Prints exceeding 1sqft please reach out to sales for a quote



TEMPLATES & CHARTS



BRANDING



ARTWORK & PHOTOGRAPHY

## Custom Response Program



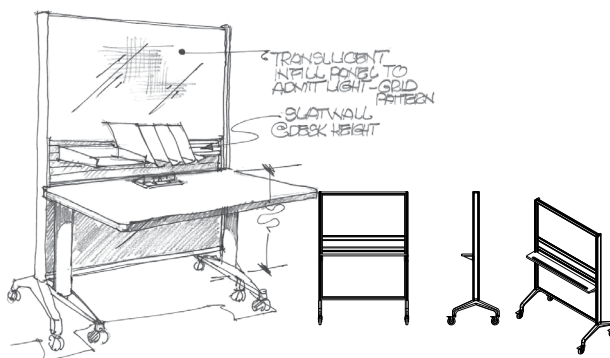
The Custom Response Program is designed to encourage specialized product development. Our manufacturing systems provide for variations and custom solutions. Working with initial direction from designers and clients, Egan will research and develop solutions that work within the Egan manufacturing process. This makes the program ideal for those clients who require a single run of a substantial number of products and/or where there is an ongoing need. Opportunities for complete product design where volume is available are also encouraged.

Our CAD specialists understand high-quality cabinetry and can quickly evaluate Custom Response Program requests. Contact your local Egan Representative with your product needs. Pricing and delivery is based on individual requirements.

### Example #1

**Original product:** V-Series Mobile

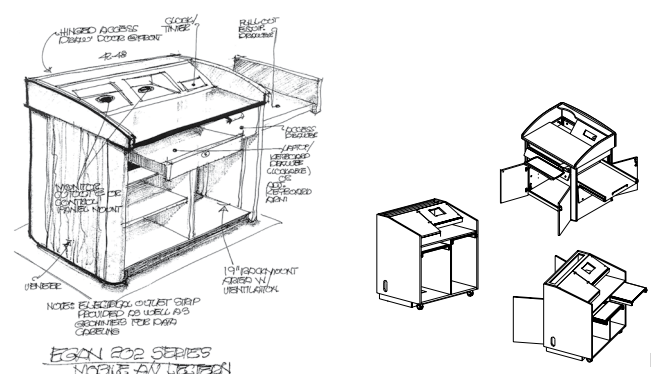
**Custom product:** Customer's Own Panel with customer's slat wall installed 30" from the floor to match desk height.



### Example #2

**Original product:** 202 Mobile Instruction Center

**Custom product:** University Lecture Command Console 42" wide, with monitor and room control touchscreen and AV racking. A popular variation of the S2IM.



# Egan Fabric Program

Egan has tested compatible fabrics with Guilford of Maine (GOM) and Maharam Fabrics. Egan factory tests and approves tackable and acoustical textile designs in two grades. Guilford of Maine and Maharam's M-Series program (excluding Messenger pattern fabric) are available on most Egan Products as an aesthetic option - the cost is added to the total cost of the specified product and applicable options.

## Need Fabric Samples

Egan stocks samples for:

- Egan Fabric
- Maharam Fabric Program Card
- GOM Fabric Program Card

Contact Guilford of Maine directly at **1-800-544-0200** or visit [www.guilfordofmaine.com](http://www.guilfordofmaine.com) for memo samples.

Contact Maharam directly at **1-800-645-3943** or visit [www.maharam.com](http://www.maharam.com) for memo samples.

For your convenience, digital representations are available online at [www.egan.com](http://www.egan.com).

## maharam

To place an order please specify:

1. The Maharam fabric number, including color, dye lot (if applicable), name. For example: Maharam Medium Pool 463490-040
2. Based on this information, you can build the Egan product code, including finish and option codes, followed by the textile code as shown below:

**CE2 A 6048 MP FL 463490-040**

Code	Body Finish: Clear Anodized	Size: 60"W x 48"H x 3"D	Door Finish: Wood Stain	Options: 2nd Flipchart, Lock	Maharam Fabric Pattern: Medium	Description: Pool
------	--------------------------------	----------------------------	----------------------------	------------------------------------	-----------------------------------	----------------------



Customer's Own Material

### Customer's Own Material (COM)

All Egan tackable components may be ordered with EganFabric Program textiles or with customer-supplied fabrics. Customer's Own Material (COM) handling is priced as \$150 list per order. The cost of textile and delivery are additional costs that are not included in Egan pricing. It is the customer's responsibility to determine if the fabric is appropriate for the application specified and that it meets applicable codes and regulations.

Egan reserves the right to reject fabrics that, in our opinion, would create unsatisfactory results on the intended application with our normal manufacturing methods.

If it is established that the textile selected will compromise the quality or integrity of Egan products, customers are contacted to discuss these concerns.

Egan does not accept responsibility for unsatisfactory results, overall appearance, fabric defects, flammability, normal durability, color fastness or any other quality issue after installation, beyond normal Egan quality standards.

At Egan Visual, we strive to craft superior results. Visit [www.egan.com](http://www.egan.com) for further details on COM and Egan Fabric Program.

## Guilford of Maine

To place an order please specify:

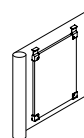
1. The Guilford of Maine fabric number, including color, dye lot (if applicable), name. For example: GOM, FR701 White 2100-224
2. Based on this information, you can build the Egan product code, including finish and option codes, followed by the textile code as shown below:

**SIAPS3 1 V 48 48 S R 2100-224**

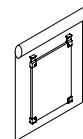
Code	Thick Panel	Velcor Mount	Width	Height	Edge Option	Corner Option	GOM Fabric Pattern: FR701	Description: White
------	-------------	--------------	-------	--------	-------------	---------------	------------------------------	-----------------------

### COM Specification for Tackable Panels

1. Customer/Company Name
2. Contact name, phone number and email address
3. Egan product code, correctly specified
4. Fabric sample - indicate face side and pattern direction  
Supply a sample securely fastened to order showing pattern direction.
5. Customer purchase order with COM correctly indicated
6. Fabric manufacturer, fabric name, color, code and dye lot
7. Fabric requirements fully specified, including (but not limited to) horizontal/vertical direction, pattern matching, railroading, pattern repeats, reversibility.



Cut across the roll (known as 'railroading')



Cut up the roll (typical or normal direction)

8. Visit [www.egan.com](http://www.egan.com) for COM Product Yardage Requirements.
9. All COM must be sent prepaid to:  
**Egan Visual**  
**Attention: COM Receiver**  
**300 Hanlan Road**  
**Vaughan, ON L4L 3P6 Canada**
10. Label instructions securely applied to COM.

# Cleaning Instructions

## EVS Technology

The high-quality, dry-erase surface EVS cleans so effectively, it even withstands the use of permanent markers.

1. Use EganCloth to trap dry erase dust in the micro-fibers and maintain a clean surface.
2. Remove all dry-erase markings from surface with a clean EganCloth before applying spray glass cleaner such as Windex. Regular cleaning with a recommended spray glass cleaner and an EganCloth will prevent dirt and film buildup, and remove residue, that can impede dry-erase performance.
3. Use isopropyl rubbing alcohol 90% to remove stubborn marks and residue.

\*Egan recommends solvent based Dry-Erase Markers ( BIC Great Erase Bold) or comparable marker.

## GlassWrite

Regularly removing ink, dirt, stains, or grease from fingerprints is the best way to preserve the quality of your glassboard. Take care of your GlassWrite by following the instructions:

1. Typical day to day maintenance should not require any more than cleaning with Windex, or an ammonia base glass cleaner. Care should be taken to avoid glass cleaners with detergents that will leave a residue, which will affect the dry erase characteristics of Egan GlassWrite boards.
2. Wipe the glass until dry using a clean EganCloth or paper towel to remove streaks that may have formed.
3. If any contaminants remain on the glass, 90% isopropyl alcohol can be used to remove it. This works well with sticky or gluey materials and permanent markers.

## Fabrics

Maintain the quality and longevity of your fabric board or sound panel by carefully removing dust, dirt, stains and other forms of debris that accumulate overtime.

1. UPHOLSTERY VACUUM OR BRUSH: Lightly brush with a soft brush, or lightly vacuum with an upholstery attachment. Vacuuming will minimize the accumulation of dirt and dust. Do not use high suction commercial vacuum as they may cause damage.
2. A FABRIC FRIENDLY CARPET CLEANER: Most soiled areas can be cleaned using a damp cloth, if there is a stubborn stain, please use a commercially available upholstery or carpet cleaner that can be used on polyester fabric.

Note: If possible, test the selected cleaning agent on a non-visible area of the panel before attempting to clean the soiled area to assure best outcome.

## Porcelain

Using an EganCloth with a cleaner - such as warm soapy water, window cleaner or isopropyl rubbing alcohol 90% - is enough to keep a the Porcelain surface clean, if used every week. Dry erase markings and ink stains left on the porcelain surface for weeks or months may require a stronger cleaning solvent to fully remove old writing (isopropyl rubbing alcohol 90% may remove these stains). Remove any cleaning solution residue from the surface with a dry, clean EganCloth to prevent any reactions between solvent residues and inks in dry erase markers. Do not use wax-based cleaners as they will leave a residue on the surface.

\*Egan recommends solvent based Dry-Erase Markers ( BIC Great Erase Bold) or comparable marker.

## Moss

Moss can be carefully dusted using a blow dryer on a low temperature setting or using a compressed air can used for computer keyboards.

# Purchase Order Requirements for Expedited Orders

Egan Visual strives to offer quality products at a great price. We value your decision to place your orders with us. In order to promptly acknowledge your orders we need you to supply sufficient and correct information. Please review the guide below.

<b>Sample Purchase Order</b>			<b>FL</b>
<b>Order Date:</b>			
<b>Purchase Order #</b>			
<b>Vendor:</b> EGAN VISUAL, 300 HANLAN RD., WOODBIDGE, ON, L4L 3P6	<b>Billing:</b> (Company Name) (Address) (City, State, ZIP)	<b>Delivery:</b> (Company Name) (Address) (City, State, ZIP) <b>(F.I.N.)</b>	
<b>Egan Acct. #</b>	<b>Egan Acct. Payment Terms:</b>		
<b>Correct Product Information:</b> (Quantity, Item code, Option code, Mounting Option code as applicable)			
<b>Complete:</b> (Product description including wood species, color or fabric numbers as applicable)			
<b>Maharam Tackable Fabric:</b> (Fabric grade [A, B, C], Style #, Name, Color, Description, Upcharge)	<b>Custom Color:</b> (Provide matching system type)	<b>Custom Stain:</b> (Supply sample with purchase order. Include stain manufacturer, stain number or name and base of species)	
<b>Customer's Own Material:</b> (Fabric manufacturer, fabric name, color, code and dye lot, fabric requirements fully specified)	<b>VersaJot Electronic File:</b> (Specified as per Price and Specification Guide)	<b>Custom Logo:</b> (Appropriate electronic artwork, specific color details)	
<b>Accurate Unit Price + Extended Price + Total Price</b>			
<b>Discount Taken:</b>	<b>Delivery Date:</b>		
		<b>Signature:</b>	

**Complete P.O. must include...**

- P.O. number
- Billing address
- Delivery address
- Delivery Contact Information
- **Note:** A P.O. Box cannot be accepted as a delivery address.

**Don't forget...**

- F.I.N. for USA delivery addresses only.

**Do you have...**

Correct and complete product information, including special colors, stains, and fabric options.

**Note:**  
Look for "How To Order This Product" at the bottom of each page.

**Include...**

Egan quote reference if applicable.

**Remember...**

Let us know when you need your order and if we can deliver before your expected delivery date.

**Double-Check...**

Price and discount structure must be correct to ensure immediate processing of your order.

**Email confirmations...**

Enter buyer's contact name and contact email address.

# Egan Standard Terms & Conditions

## Commercial Terms

### Overall

Egan Visual Standard Terms & Conditions are subject to change without notice. See [www.egan.com](http://www.egan.com) for currently prevailing terms. All specifications, pricing, and other information is believed to be accurate at the time of publication (E&OE) but is subject to change without notice. Prices herein are valid in the United States only and are stated in USD. Possession of this document does not constitute an offer to sell.

### Cancellations

Orders are considered binding on the Buyer and on Egan, subject to the ICC Force Majeure Clause 2003 or the ICC Hardship Clause 2003. If the Buyer wishes to cancel an order, the decision to accept cancellation lies with Egan and will be governed by its ability to conform. A penalty or service fee may be imposed at the discretion of Egan. Once production has begun, neither standard or custom orders are eligible for change or cancellation.

### Change Orders

The Egan Visual 'Order Acknowledgment' is final and binding and any subsequent change is subject to approval at the sole discretion of Egan. Egan Visual reserves the right to increase the acknowledged price, if such a change warrants any extra charge.

### Defects and Shortages

All claims must be reported within the first **TEN (10) days** after delivery of goods. Egan Visual assumes no responsibility for misuse or abuse.

### Returns

Merchandise may not be returned without the prior written consent of Egan Visual. If returned within thirty (30) days, and by agreement, a restocking and repacking charge will be deducted from the credit note in addition to any expense for reconditioning that may be necessary. Return transportation must be prepaid (DDP Buffalo, NY or DDP Vaughan, ON), packed in the original packaging.

## Financial Terms

### Financial Terms

Terms are "prepayment with order" unless otherwise pre-approved, in writing, in advance, by Egan Visual. For such accounts, orders are subject to limit or withdrawal of credit at any time. The approved purchaser will be invoiced for the goods as they are shipped and payment is due thirty (30) days from the date of invoice. Late penalties will be charged on overdue invoices. Invoices are payable in USD funds and do not include taxes or installation. All orders accepted are subject to prices prevailing at time of Order Acknowledgment.

### Quotations

Quotes issued by Egan Visual are valid for ninety (90) days and are for the products and terms specified therein.

### Order Acceptance

Orders are binding only upon acceptance by the executive office of Egan Visual which is confirmed by issuance of an Egan Order Acknowledgment. Orders accepted by Egan Visual shall be subject to the Terms and Conditions set forth in this Acknowledgment and subsequent Invoice, notwithstanding any variance in terms and conditions set forth in the buyer's order forms. Minimum order value is \$100.00 list. Egan Visual appreciates your order and will endeavor to fulfill it as agreed.

### Taxes

Sales Tax, Use Tax, or other State, Provincial, or Federal taxes will be added to the invoice as applicable, and are the responsibility of the Buyer. Buyers claiming exemption (e.g. purchasing for resale) must supply the appropriate tax exemption form with their order. In jurisdictions where Egan Visual is not registered to collect tax, it is the sole responsibility of the Buyer to determine what, if any tax is applicable to the sale and to remit same to the appropriate tax authority.

## Product Terms

### Specification Changes

Specifications published are nominal and believed to be accurate at the time of publication. The right to affect, change, or discontinue models at any time without prior notice remains the right of Egan Visual. This right to change applies to catalog contents, price lists, fabric or finishes, as well as details and dimensions.

## Warranty

Each product carries a limited, "Return to Factory" warranty. See the full "Standard Warranty" in the Price & Specification Guide or at [www.egan.com](http://www.egan.com)

## Cleaning

"Add brief intro to cleaning" one line on each surface including moss. 2 or 3 points. Chemical cleaners can be detrimental to surfaces, and damages caused by chemical cleaners will be excluded from warranty.

## Logistics Terms

### Freight Terms

Orders are shipped FOB Factory (INCOTERMS 2010). Freight is prepaid and added to the buyer's Invoice. The responsibility of Egan Visual ceases when it turns the shipment over to the carrier.

### Free Freight Program

Egan offers a program under which freight may be prepaid in full or subsidized by Egan. See "Freight Program" for current details.

### Drop Shipments

Drop Shipments can be arranged. Egan does not apply a fee but Accessorial Charges may apply. Contact Customer Service.

### Accessorial Charges

Accessorial Charges will be invoiced at cost and pre-quoted on request. This includes but is not limited to: deliver to limited access site (mines, prisons, military, schools, and hospitals), blanket wrapped, inside deliveries, special charges for high density urban areas, will calls, 'call before' requirements and special delivery or inside delivery beyond dock-to-dock delivery

### Packing and Crating Charges

All products are shipped via common carrier, in the best packaging method for the product end order. Crating/bulk packaging will be decided at factory discretion based on various order factors.

### Carrier Selection

In absence of the buyer arranging transport, Egan Visual reserves the right to ship by what is in its opinion the best method.

### Transportation Delay

Egan Visual is not responsible for delay or failure to fulfill an order due to Acts of God, Hardship, or Force Majeure, including but not limited to reasons stated in the standard ICC Force Majeure Clause section 3.

### Storage

If Buyer cannot accept delivery on the shipping date stated on the Order Acknowledgment, Egan Visual reserves the right to arrange storage at the Buyer's risk and expense.

### Freight Damage

All goods are shipped FOB Egan Visual, however, in the event of freight damage we can assist your receiver with the claim. The legal responsibility of Egan Visual ceases when it turns the shipment over to a common carrier. The buyer has the sole obligation of seeking recourse against the carrier. All freight is given to the carrier and signed for in good condition. It is the responsibility of the receiver to sign for the goods in the presence of the carrier and note the condition in which they are received, any visible packaging damage must be noted on carrier paperwork; noting subject to inspection is not sufficient and will be refused. Freight claims should be filed with the carrier.


Follow these procedures immediately upon receipt of shipment:

1. You must inspect the freight at the time of delivery and note all damages on the Bill of Lading and Delivery Receipt (POD). If there is obvious and severe damage, receiver has a **right to refuse delivery**. Receiver also has a duty to mitigate the loss. For example, you should only refuse affected product.
2. Unpack and inspect. Check your contents within **TWENTY-FOUR (24) hours**. If the shipment was delivered without noted damage but has CONCEALED DAMAGE, receiver typically has a very limited time to report it to the carrier and request a 'concealed damage inspection'.
3. Upon discovery of the damages, the receiver/customer must immediately report the damages to Egan Visual Customer Service to initiate a Support Case and make arrangements for replacement product.
4. The notification of damages must be followed up in writing by e-mail with the inclusion of pictures of packaging and visible damage.
5. Tag and keep any packaging in which damaged goods are received in its original condition.



# Freight Program & Standard Warranty

## Writing Surfaces and Biophilic Design & Acoustic Solutions Freight Pricing Tiers

Single shipment total at LIST	Freight Charge*
\$0 - \$4,999	\$279
\$5,000 - \$9,999	\$379
\$10,000 - \$14,999	\$479
\$15,000 + 	\$579
Small Parcel	\$50

Based on the **order total** summed using the **list price** of the products, the freight costs are invoiced per the following table:

\*amount added to invoice

\*excluding Accessorial charges, per Standard Terms



## AV Furniture Freight Pricing Per Item

Geographic Shipping Zone	Freight Charge* - Per Item
East	\$375
West	\$499

\*4 or more units call for a freight quote.

\*amount added to invoice

\*excluding Accessorial charges, per Standard Terms

**East Zone Geographic Locations:** states shipping to the east are defined by ME, NH, VT, MA, NY, CT, RI, PA, NJ, DE, MD, DC, WV, OH, MI, IN, WI, IL, KY, VA, NC, SC, TN, AL, MS, GA, FL. |

**West Zone Geographic Locations:** states shipping to the west are defined by MN, IA, MO, AR, AZ, LA, TX, OK, KS, NE, SD, ND, MT, WY, CO, NM, UT, ID, WA, OR, NV, CA,

**Alaska and Hawaii:** must ship to a freight forwarded in the lower 48 US or have pick up arranged.

## Egan Limited Lifetime Warranty

### What is Covered

This Limited Lifetime Warranty applies to new products purchased from an authorized Egan Visual (“Egan”) dealer or reseller. Egan Visual warrants that the products substantially conform to the specifications published by Egan at the time of manufacture of the product, and that the product is free from material defects in materials and workmanship, under normal and reasonable operating conditions, for the Warranty Term as defined below. No other warranties or representations, express or implied, other than contained herein shall apply or be honored by Egan Visual.

### Who is Covered

The “End User” holds this Limited Lifetime Warranty. The End User is the first party to purchase the new and unused product from an authorized Egan reseller. This Standard Warranty is not transferable to other parties.

### What is Not Covered

EGAN VISUAL MAKES NO IMPLIED WARRANTIES OF FITNESS FOR A PARTICULAR PURPOSE. THESE AND ALL OTHER IMPLIED WARRANTIES ARE SPECIFICALLY DISCLAIMED BY EGAN VISUAL. The warranty as stated in this document is the complete and only warranty upon this product. This Warranty specifically excludes:

- Products that are not purchased by the End User from an authorized reseller
- Products that have been used other than according to the instructions
- Products that have been damaged due to the connection of other equipment
- Products that have not been installed and or/maintained as per the instructions
- Products that have been damaged
- Products that have been modified
- Peripheral products in the package such as brackets and fittings, which are “as is”
- Products and services that are not provided by Egan, including installation, de-installation, and shipping
- Variations in surface materials (e.g. grains, patterns, textures), color variation and colorfastness due to variations in dye lot or other material from order to order.
- Non Egan-branded products or components which may be purchased from Egan, which are subject to that manufacturer’s own warranty.

**IMPORTANT:** READ AND UNDERSTAND ALL INSTALLATION, USE, AND MAINTENANCE INSTRUCTIONS THAT YOU HAVE RECEIVED WITH YOUR NEW EGAN VISUAL PRODUCT. Failure to do so will void all warranty. Before attempting to deviate from our instructions in any way please contact Egan Visual beforehand. If in doubt as to how to install any of our products please contact the Egan Visual dealer you purchased the product from or contact our Customer Service department immediately for help.

**Installation is not covered.** Egan Visual products are designed to be installation-ready, however Installation and the installation environment are out of the control of Egan and therefore installation is not warranted by Egan in any circumstance. Egan offers dealers and professional installers free installation support via **1-800-263-2387**.

Conditions after leaving our facility are always beyond the control of Egan Visual. As noted above, **damage is not covered.** This includes but is not limited to damage from use of non-approved detergents, abrasives or other harsh cleaning agents, poor installation, misuse, abuse, neglect, or failure to maintain the product properly. Always be sure to test a cleaning product in an inconspicuous area before cleaning any surface, coating, or finish. For best results on presentation surfaces, always use quality alcohol-based markers; Egan-supplied markers and cloths are recommended. If marker sustainability is in question, please call our Customer Service before using the product for the first time. This warranty does not cover damage to writing surface resulting from negligence, abuse or accidents, such as burns, cuts, scratches, scuffs, kinks, or indentations.

### Warranty Term

Your new Egan Visual product has been well-designed and built for many years of enjoyment. All Egan Visual products carry a limited lifetime warranty providing assurance to you that the Egan Visual products you purchase will be free of defective material or workmanship for the life of the product unless otherwise stated here.

EVS® Presentation Surfaces “Guaranteed-to-Clean”	10 years
Porcelain surfaces	10 years
GlassWrite™ and EganAero™ surfaces	10 years
Tackable core	5 years
EganINK™ (ASTM F793 10a Category I Wallcovering)	1 year
Moss Wall Panels & Planter Dividers	1 year
Acoustic Solutions	1 year
Electric-powered mechanisms	1 year
Electric components (e.g. wiring, charging ports, outlets)	1 year
Lighting components	1 year
Monitor including back light.	90 day
Supplies	None
Installation	None

### Consequential or Incidental Damages

EGAN VISUAL WILL NOT BE LIABLE FOR CONSEQUENTIAL OR INCIDENTAL DAMAGES. Any loss, expense, or damage incurred in replacing any suspected defective Egan Visual product will not be reimbursed. The warranty of this product is limited to the replacement or repair of the Egan Visual product itself. Under no circumstances will Egan Visual be responsible for incidental damages, repairs, labor or other costs incurred in removal or return of suspected defective Egan Visual product.

### How to make a Warranty Claim

While the product is still in its original installed state, contact Customer Service to open a case for your product and to have the claim evaluated. If a written Return Authorization has been issued by Egan Visual, the product may be uninstalled and shipped. Shipments that arrive without a valid Return Authorization will not be accepted.

### Warranty Point

This warranty is a “Return to Factory” or “RTF” Warranty. To exercise this warranty, the product must be shipped to Egan DDP Buffalo, NY (INCOTERMS 2010) or DDP Vaughan, ON (INCOTERMS 2010) at the discretion of Egan Visual. Replacement product is made available FOB Buffalo, NY or EXW Vaughan, ON.

### Processing of a Warranty Claim

Your product will be evaluated within a reasonable period of time and at the sole option of Egan Visual and if the claim is approved by Egan it will be repaired, or replaced with refurbished or new product. In the event that the model has been discontinued and warranty stocks have been depleted, Egan, may, at its sole option, replace the Product with a different model with comparable or better performance characteristics. At the sole option of Egan Visual, if repair or replacement is not practicable, Egan will provide a refund or a credit for the affected product.

### Limitations and exclusions

This program is limited to destinations in the 48 contiguous States, and 10 Canadian Provinces (excludes the Territories YT, NT, NU). This program provides for normal ground transportation. Program eligibility is subject to Egan Standard Terms & Conditions.

# Product Code Index

ACBUMPER.....	56	DMBR.....	64	KEA.....	57
ACCBAR.....	94	DMI.....	16	L.....	56
ACDZ.....	93	DMS.....	16	LCLF.....	158
ACEAMAG.....	93	DS100.....	249-252	LCLH.....	159
ACEAT.....	92	DS600.....	253-255	LT3060.....	223-224
ACEM.....	93	DS600L.....	256-258	MC352.....	268-270
ACESR.....	64	DS680.....	259-261	MC600.....	271-273
ACFL.....	94	DS700.....	199-201	MC700.....	274-275
ACLINK.....	56	DS720.....	262-264	MDCS.....	26
ACSHelf.....	56	DS740.....	202-204	MDTS.....	26
ACTBAR.....	94	DS780.....	205-208	MDCW.....	29
ACTSEC.....	81	DS900 RACK.....	213-216	MDTW.....	29
ACTSECTREM.....	81	DS3040.....	220-222	MES.....	25
ACTSTBMG.....	94	DS4230.....	265-266	MEW, MDMW.....	28
ACWAL.....	95	DT.....	17	MFTE, MFTM.....	25
AMP.....	111	DTR.....	17	MM1200.....	166-168
ARC.....	47	DTB.....	20, 44, 45	MM2500.....	169-171
ARCM.....	51-52	EAB.....	42, 19, 45	MPD3048.....	231-233
AVBE.....	80	EAH.....	42	MPD26EATX-12.....	225-227
AVBG.....	80	EDLEC2423.....	160-162	MPD30EATX.....	228-230
AVBM.....	56	EETB.....	78	MWAP.....	106-108
AVBP.....	80	EETBFC.....	78	MWBF.....	109
AVBT.....	80	EMGT.....	81	OVLW.....	155
AVBW.....	80	EMMT.....	82	OVPB, OVPS.....	91
AVCAB Series.....	290-292	EMST.....	81	OVO.....	155
CABW.....	89	EMTB.....	78	PM200.....	172-173
CABX.....	88	EMTBFC.....	78	PM300.....	174-176
CARW.....	89	EMTSEC.....	81	PM350.....	177-179
CE160.....	299-300	EMTSECG.....	81	PM 350 LIFT.....	180-182
CE2.....	87	EMTT.....	82	PM400.....	183-185
CEEB.....	86	EMWP.....	104-105	PM432.....	183-185
CEGMB.....	86	ESFG.....	94	PM434.....	183-185
CEWB.....	89	ESGT.....	81	PM436.....	183-185
CEWR.....	89	ESMT.....	82	PM438.....	183-185
CEXB.....	88	ESOC.....	84	PM440.....	183-185
CR200 Series.....	277-279	ESSH.....	83	PM442.....	183-185
CR300 Series.....	280-282	ESST.....	81	PM500.....	186-188
CR412.....	283-285	ESTR.....	81	PM900.....	189-191
CT400.....	235-237	ESTT.....	82	PM4800.....	192-194
CT600.....	237-238	ESVL, ESVS.....	94	PMT100.....	195-197
CT720.....	239-240	EVB.....	79	RA Series.....	293-295
CT730.....	241-242	EVEC.....	93	RE Series.....	296-298
CT36.....	243-244	EVPR.....	82	S2IM.....	154
DC Series.....	246-247	EWVT.....	34	S2LF.....	156
DG.....	37	FMWP.....	102-103	S2LH.....	157
DGR.....	37	HDBS.....	125	S2LS.....	153
DGE.....	40	HDRS.....	125	SIAPS3.....	123
DGF, DGC.....	37	IC1000.....	163-165	SIBFC.....	139
DGM.....	37	ICS.....	27	SIDT.....	121
DGMR.....	37	IES.....	27	SIFSP.....	135
DGMB.....	37, 19, 45, 44, 38	IMS.....	27	SIGC.....	140
DM.....	15, 16	ITS.....	27	SIGT.....	126
DM13.....	15, 16	IWB.....	30	SIKS.....	131
DMH.....	16	IWC.....	30	SIM.....	133-137
DMR.....	16	IWE.....	30	SIMDS.....	129
DMB.....	19, 45, 44	IWT.....	30	SIW.....	114-115



# Product Code Index

SIWZD.....	133-134
SIVNO.....	118
SKINE.....	33
SKINP.....	34
SM.....	35
STL.....	63
STST.....	61
STW.....	62
T2LS, T2TM.....	149-150
T3LS, T3TM.....	148
TLLS, TLTM.....	151-152
TMP.....	31
TSA.....	70
TSB.....	67
TSDM.....	71
TSF.....	74
TSG.....	72
TSGB.....	68
TSM.....	73
VBD.....	49
VBM.....	50
VCD.....	59
VCF.....	54
VCT.....	54
VGC.....	55
VGM.....	55
VGM-SS.....	55
VGS.....	55
VJ.....	35
VJTRIM.....	35
VLV.....	58
VLG.....	58
VM.....	35
VPF.....	54
VSD.....	59
VSF.....	53
VT500.....	246-247
VST.....	53

**EGAN**

**Egan Visual**

1-800-263-2387

customerservice@egan.com

Mon-Fri: 8:00am - 4:30pm EST

[www.egan.com](http://www.egan.com)

**BUILT**

**TO INSPIRE**

July 13, 2021 - Printed in Canada. © Egan Visual 2021. All Rights Reserved. All other product names are trademarks of their respective owners. Samples available from Egan Customer Service. Specifications are subject to change without notice. E&OE.